



Relays, Contactors & Switches > Switches > DIP & SIP Switches



DIP & SIP Switch Product Type: **Switch**

DIP & SIP Switch Contact Mating Area Plating Material: **Gold**

DIP & SIP Switch Housing Color: **Black**

DIP & SIP Switch Housing Material: **Polyphenylene Sulfide (PPS)**

Auto-Insertable: **No**

Features

Product Type Features

DIP & SIP Switch Product Type	Switch
Sealed DIP & SIP Switch	Yes
DIP & SIP Switch Type	DIP
Actuator Style	Recessed Rocker

Configuration Features

Number of Positions	8
Number of Switches	8
Configuration (Pole-Throw)	Single Pole - Single Throw

Electrical Characteristics

DIP & SIP Switch Voltage Rating	50 VDC
---------------------------------	--------

Body Features

Seal Type	Tape
Actuator Color	White

Contact Features

Solder Tail Contact Plating	Gold over Nickel
DIP & SIP Switch Contact Mating Area Plating Material	Gold
Auto-Insertable	No
DIP & SIP Switch Contact Current Rating	.1 A



Contact Base Material	Copper Alloy
-----------------------	--------------

Mechanical Attachment

DIP & SIP Switch Mounting Type	Surface Mount
--------------------------------	---------------

Housing Features

Low Profile	Yes
-------------	-----

DIP & SIP Switch Housing Color	Black
--------------------------------	-------

DIP & SIP Switch Housing Material	Polyphenylene Sulfide (PPS)
-----------------------------------	-----------------------------

DIP & SIP Switch Centerline	1.27 mm[.05 in]
-----------------------------	-----------------

Dimensions

Length	11.29 mm[.444 in]
--------	-------------------

Height	2.2 mm[.093 in]
--------	-----------------

Usage Conditions

Operating Temperature Range	-30 – 85 °C
-----------------------------	-------------

Industry Standards

UL Flammability Rating	UL 94V-0
------------------------	----------

Packaging Features

Packaging Method	Box & Tube, Tube
------------------	------------------

Packaging Quantity	40
--------------------	----

Product Compliance

[For compliance documentation, visit the product page on TE.com>](#)

EU RoHS Directive 2011/65/EU	Compliant
------------------------------	-----------

EU ELV Directive 2000/53/EC	Compliant
-----------------------------	-----------

China RoHS 2 Directive MIIT Order No 32, 2016	No Restricted Materials Above Threshold
---	---

EU REACH Regulation (EC) No. 1907/2006	Current ECHA Candidate List: JAN 2022 (223) Candidate List Declared Against: JUL 2021 (219) SVHC > Threshold: Not Yet Reviewed
--	---

Halogen Content	Not Low Halogen - contains Br or Cl > 900 ppm.
-----------------	--

Solder Process Capability	Not reviewed for solder process capability
---------------------------	--

This information is provided based on reasonable inquiry of our suppliers and represents our current actual knowledge based on the information they provided. This information is subject to change. The part numbers that TE has identified as EU RoHS compliant have a maximum concentration of 0.1% by weight in homogenous materials for lead, hexavalent chromium, mercury, PBB, PBDE, DBP, BBP, DEHP, DIBP, and 0.01% for cadmium, or qualify for an exemption to these limits as defined in the Annexes of Directive 2011/65/EU (RoHS2). Finished electrical and electronic equipment products will be CE marked as required by Directive 2011/65/EU. Components may not be CE marked. Additionally, the part numbers that TE has identified as EU ELV compliant have a maximum concentration of 0.1% by weight in homogenous materials for lead, hexavalent chromium, and mercury, and 0.01% for cadmium, or qualify for an exemption to these limits as defined in the Annexes of Directive 2000/53/EC (ELV). Regarding the REACH Regulation, the information TE provides on SVHC in articles for this part number is based on the latest European Chemicals Agency (ECHA) 'Guidance on requirements for substances in articles' posted at this URL: <https://echa.europa.eu/guidance-documents/guidance-on-reach>

Compatible Parts



TE Part # 1571983-1
GDH02S04=DIP SWITCH



TE Part # 1-1571983-0
GDH08S04=DIP SWITCH



TE Part # 1571983-5
GDH04STR04=DIP SWITCH



TE Part # 1-1571983-1
GDH08STR04=DIP SWITCH



TE Part # 1571983-9
GDH06STR04=DIP SWITCH



TE Part # 1571983-3
GDH02STR04=DIP SWITCH



TE Part # 1571983-4
GDH04S04=DIP SWITCH



TE Part # 1977830-2
DIP SWITCH GDH04SA04



TE Part # 1977830-3
DIP SWITCH GDH06SA04



TE Part # 1-1571983-3
GDH10S04=DIP SWITCH



TE Part # 1571983-8
GDH06S04=DIP SWITCH



TE Part # 1-1571983-4
GDH10STR04=DIP SWITCH



TE Part # 1977830-1
DIP SWITCH GDH02SA04



TE Part # 1977831-1
DIP SWITCH GDH02SATR04



TE Part # 1977831-2
DIP SWITCH GDH04SATR04



TE Part # 1977831-3
DIP SWITCH GDH06SATR04



TE Part # 1977831-4
DIP SWITCH GDH08SATR04

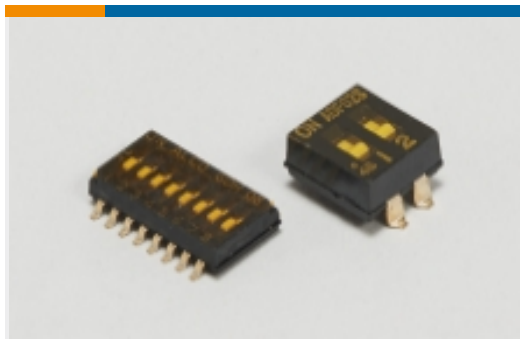


TE Part # 1977831-5
DIP SWITCH GDH10SATR04



TE Part # 1977830-5
DIP SWITCH GDH10SA04

Also in the Series | Alcoswitch DIP



DIP & SIP Switches(291)

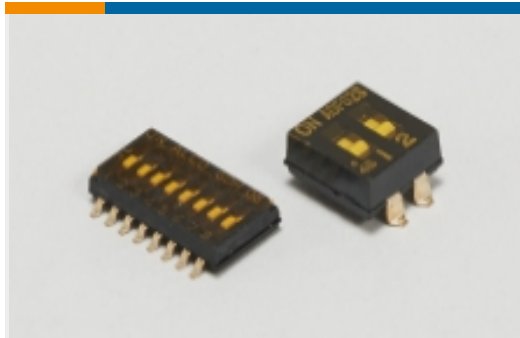


Rotary Switches(25)



Switch Seals & Accessories(1)

Also in the Series | Alcoswitch DIP GDH



DIP & SIP Switches(22)

Customers Also Bought



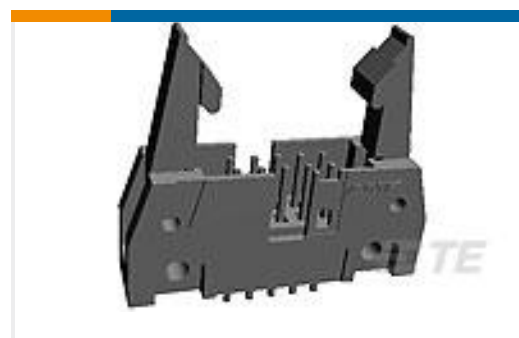
TE Part #6-1879134-8
RN 0603 49K9 0.1% 10PPM 1K RL



TE Part #2176162-5
UPF25 0.1% 5PPM 120R



TE Part #3-1879026-2
YR1 0.1% 20R



TE Part #5499922-8
A/L UNIV HDR 34P VERT LG LAT



Documents

Product Drawings

[DIP SWITCH GDH08SA04](#)

English

CAD Files

[3D PDF](#)

3D

Customer View Model

[ENG_CVM_CVM_1977830-4_A.2d_dxf.zip](#)

English

Customer View Model

[ENG_CVM_CVM_1977830-4_A.3d_igs.zip](#)

English

Customer View Model

[ENG_CVM_CVM_1977830-4_A.3d_stp.zip](#)

English

By downloading the CAD file I accept and agree to the [Terms and Conditions](#) of use.

Datasheets & Catalog Pages

[SWITCHES_CORE_PROGRAM_CATALOG](#)

English