



Relays, Contactors & Switches > Switches > Push Button Switches



Configuration (Pole-Throw): **Double Pole - Double Throw**

Push Button Switch Product Type: **Switch**

Number of Actuators: **Single**

Actuator Profile: **Extended**

Bushing Style: **Threaded**

Features

Product Type Features

Switch Type	Pushbutton
Dust Proof	No
Push Button Switch Product Type	Switch
Illuminated	No
Actuator Style	Cap - Order Separately

Configuration Features

Ganged	No
Panel Cutout Size	6.5 (Diameter) mm[.256 in]
Configuration (Pole-Throw)	Double Pole - Double Throw
Number of Actuators	Single
Snap Action	With
Tactile	No
Operating Function	On (On)

Electrical Characteristics

Push Button Switch Voltage Rating	125 VAC
-----------------------------------	---------

Body Features

Boot Color	Black
Guard Color	Chromed Brass
Cap Color	Black



Seal Type	Epoxy
Case Material	Epoxy Resin
Actuator Material	Nickel-Plated Copper Alloy
Actuator Profile	Extended
Bushing Style	Threaded
Bushing Thread Size	1/4-40
Actuator Color	Natural

Contact Features

Contact Base Material	Brass
Push Button Switch Contact Current Rating	3 A
Switch Contact Plating Material	Silver

Termination Features

Termination Type	Wire Lugs
------------------	-----------

Mechanical Attachment

Attachment Method	Screw-On
Mounting Angle	Vertical
Screw & Hole Thread Size	1/4-40
Push Button Switch Mounting Type	Panel

Housing Features

Low Profile	No
Process Sealed	No

Dimensions

Cap Height	8 mm[.315 in]
Actuator Length	8 mm[.315 in]
Button Width	2.8 mm[.11 in]
Cap Diameter	10.01 mm[.394 in]

Operation/Application

For Use With	C22 Cap
--------------	---------

Packaging Features

Packaging Method	Bulk
------------------	------

Product Compliance



[For compliance documentation, visit the product page on TE.com>](#)

EU RoHS Directive 2011/65/EU	Compliant
EU ELV Directive 2000/53/EC	Compliant
China RoHS 2 Directive MIIT Order No 32, 2016	No Restricted Materials Above Threshold
EU REACH Regulation (EC) No. 1907/2006	Current ECHA Candidate List: JAN 2022 (223) Candidate List Declared Against: JUN 2016 (169) SVHC > Threshold: Not Yet Reviewed
Halogen Content	Not Low Halogen - contains Br or Cl > 900 ppm.
Solder Process Capability	Hand solderable with lead free solder

Product Compliance Disclaimer

This information is provided based on reasonable inquiry of our suppliers and represents our current actual knowledge based on the information they provided. This information is subject to change. The part numbers that TE has identified as EU RoHS compliant have a maximum concentration of 0.1% by weight in homogenous materials for lead, hexavalent chromium, mercury, PBB, PBDE, DBP, BBP, DEHP, DIBP, and 0.01% for cadmium, or qualify for an exemption to these limits as defined in the Annexes of Directive 2011/65/EU (RoHS2). Finished electrical and electronic equipment products will be CE marked as required by Directive 2011/65/EU. Components may not be CE marked. Additionally, the part numbers that TE has identified as EU ELV compliant have a maximum concentration of 0.1% by weight in homogenous materials for lead, hexavalent chromium, and mercury, and 0.01% for cadmium, or qualify for an exemption to these limits as defined in the Annexes of Directive 2000/53/EC (ELV). Regarding the REACH Regulation, the information TE provides on SVHC in articles for this part number is based on the latest European Chemicals Agency (ECHA) 'Guidance on requirements for substances in articles' posted at this URL: <https://echa.europa.eu/guidance-documents/guidance-on-reach>

Compatible Parts



TE Part # 1977740-1
MPS103DPC PSHBTN SPDT



TE Part # 1977740-2
MPS103FPC PSHBTN SPDT MMNTRY



TE Part # 1977738-3
MPS2004NPC PSHBTN 0.4VA DPDT

TE Part # 1977389-1
1Dual SP4T slide switch with cover

TE Part # 1977391-2
SLIDE SW, SPDT R/A KINKED BOARD LOCK, AU

Also in the Series | Alcoswitch Blue Series



Push Button Switches(16)

Customers Also Bought



TE Part #91517-1
CCII FEMALE MOD IV REC 24-22 ASSY



TE Part #204517-2
AMPLIMITE,ASY,PLUG,STD,90,3



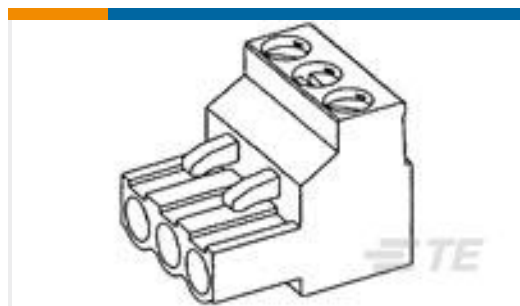
TE Part #T4111011041-000
M12 M, 4P GOLD A_CODE S SHIELDED PG7



TE Part #640388-7
07P MTA156 HDR ASSY RN STR F/L



TE Part #204518-2
RECEPT ASSY,62 POSN,AMPLIMITE



TE Part #796640-6
6 POS 5.0 MM R/A PLUG,TRM BLK



TE Part #T4133012041-000
M12,FRONT MOUNT,FEMALE,A,4P, SOLDER WIRE



TE Part #537543-000
CWT-3-W122-5



TE Part #205556-3
AMPLIMITE,ASY,PLUG,STD,109,1,KIT



TE Part #225555-6
TNC PLUG DUAL W/P TR

Documents

Product Drawings

MPS203R PSHBTTN DPDT MMNTRY

English

CAD Files

3D PDF

3D



Customer View Model

[ENG_CVM_CVM_1977739-4_C.2d_dxf.zip](#)

English

Customer View Model

[ENG_CVM_CVM_1977739-4_C.3d_igs.zip](#)

English

Customer View Model

[ENG_CVM_CVM_1977739-4_C.3d_stp.zip](#)

English

By downloading the CAD file I accept and agree to the [Terms and Conditions](#) of use.

Datasheets & Catalog Pages

[8-177346-1_ALCOSWITCH_BLUE_PUSHBUTTON](#)

English