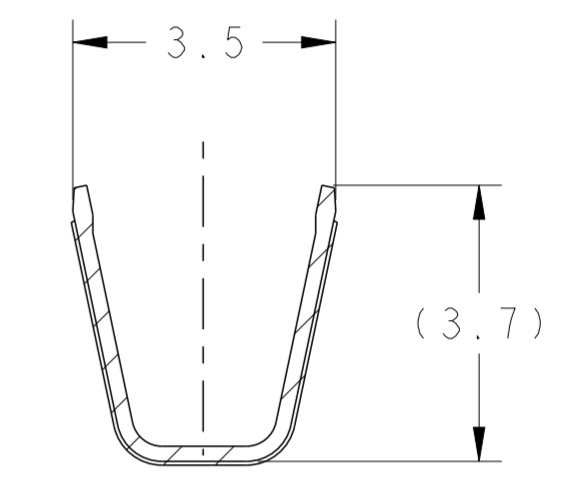
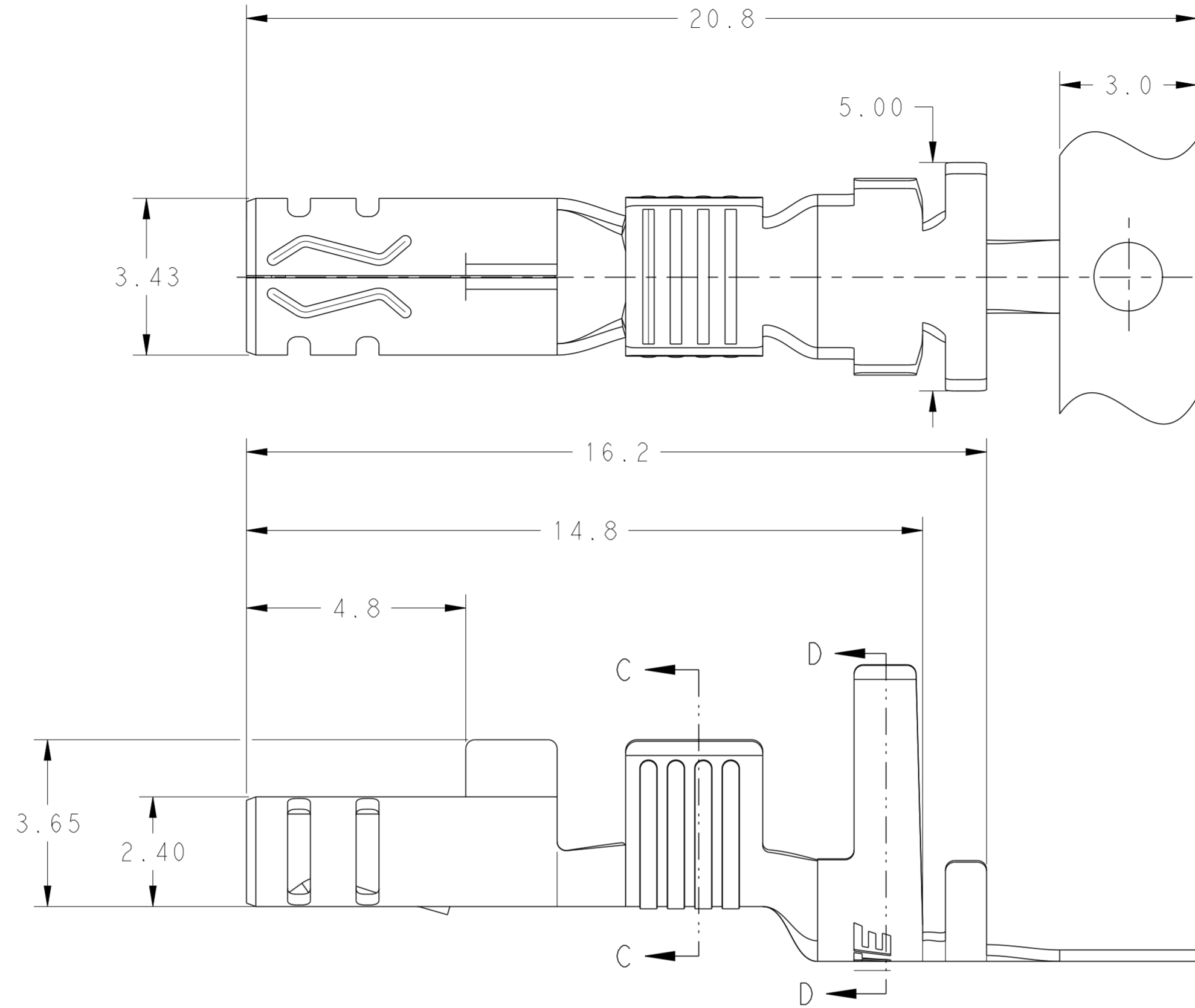
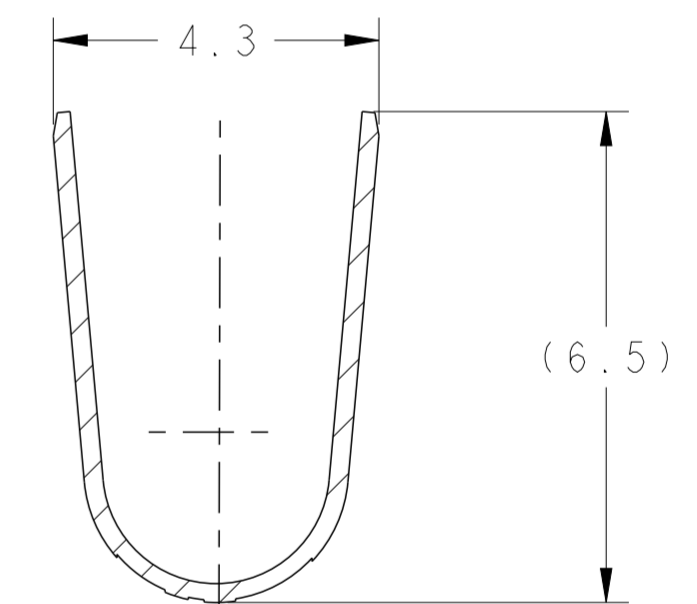


THIS DRAWING IS UNPUBLISHED. RELEASED FOR PUBLICATION 20  
 © COPYRIGHT 20 BY - ALL RIGHTS RESERVED.

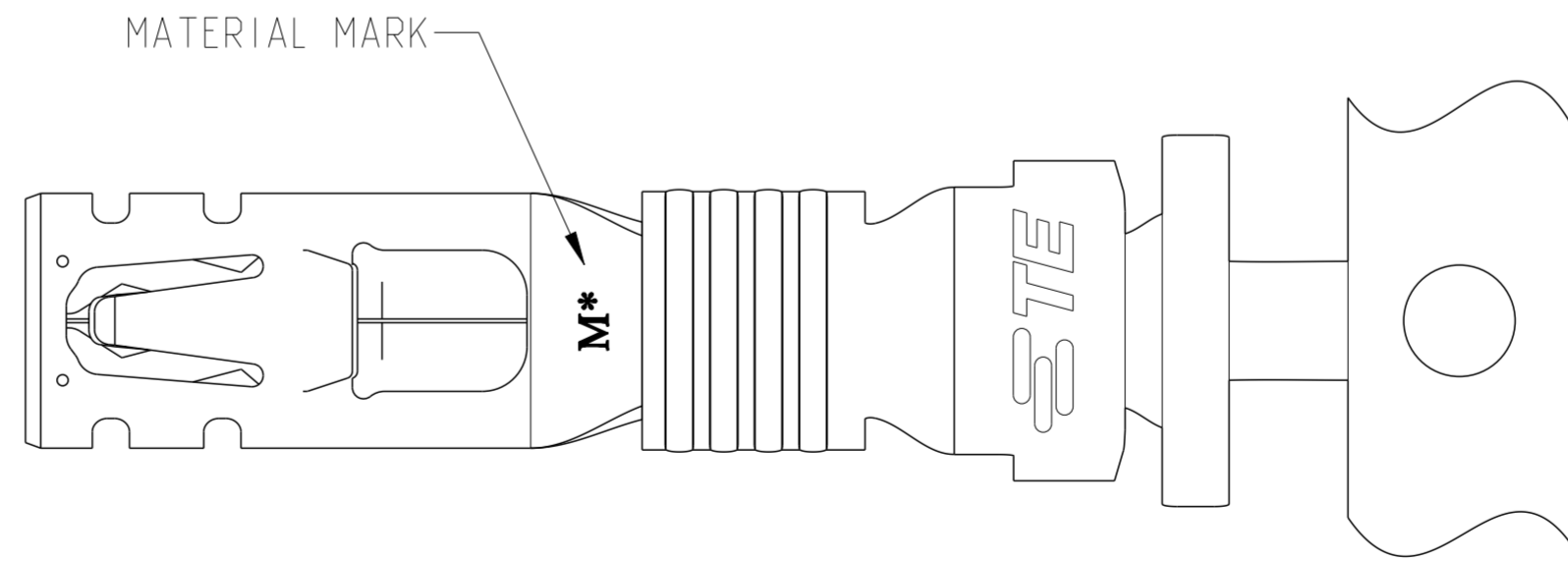
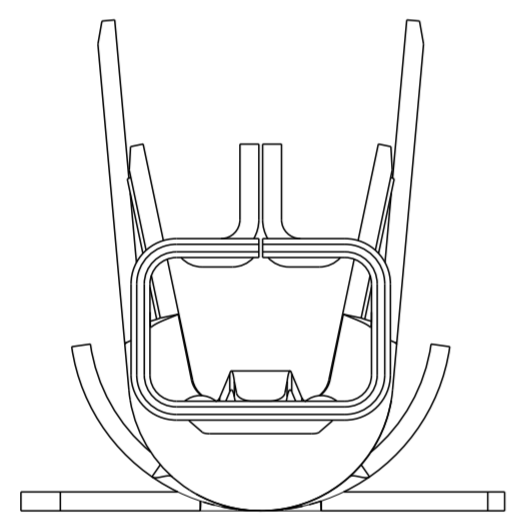
REVISIONS				
P	LTR	DESCRIPTION	DATE	APVD
C1		REVISED PER ECR-15-013268	10SEP2015	NK GJ



SECTION C-C



SECTION D-D



- 1 MATERIAL: COPPER ALLOY, PRE TIN PLATING.
- 2 APPLICABLE MATED PLUG HOUSING P/N:  
\*-1971773-\*/\*-1971776-\*/\*-1971876-\*/  
/\*-2232265-\*/\*-2232266-\*/\*-2232357-\*
- 3 APPLICABLE WIRE: 2x18AWG COPPER STRANDED
- 4 APPLICABLE INSULATION DIAMETER: 2.65~2.95mm
- 5 THIS PRODUCT HAS NOT COMPLETED VALIDATION TESTING.

HIGH(150°C)	M0	1971787-2
STANDARD(105°C)	M4	1971787-1
TEMP. RATING	MATERIAL MARK	PART NO

THIS DRAWING IS A CONTROLLED DOCUMENT.

DIMENSIONS:	TOLERANCES UNLESS OTHERWISE SPECIFIED:	DWN TOMMY WU 11 JUL 2012	TE Connectivity
mm	0 PLC ±	CHK HAPYE WU 11 JUL 2012	
	1 PLC ±0.5	APVD YUHHONG MAO 11 JUL 2012	
	2 PLC ±0.30	PRODUCT SPEC	
	3 PLC ±	APPLICATION SPEC	108-106118
	4 PLC ±		114-106118
MATERIAL	FINISH	WEIGHT	Customer Drawing

SIZE	CAGE CODE	DRAWING NO	RESTRICTED TO
A2	00779	C-1971787	-
SCALE	SHEET	OF	REV
-	1	1	C1