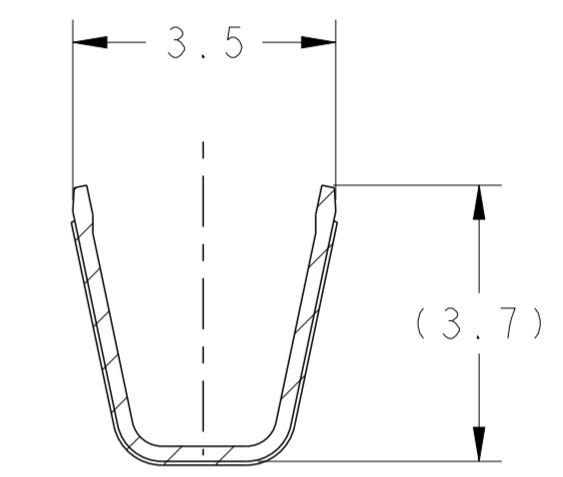
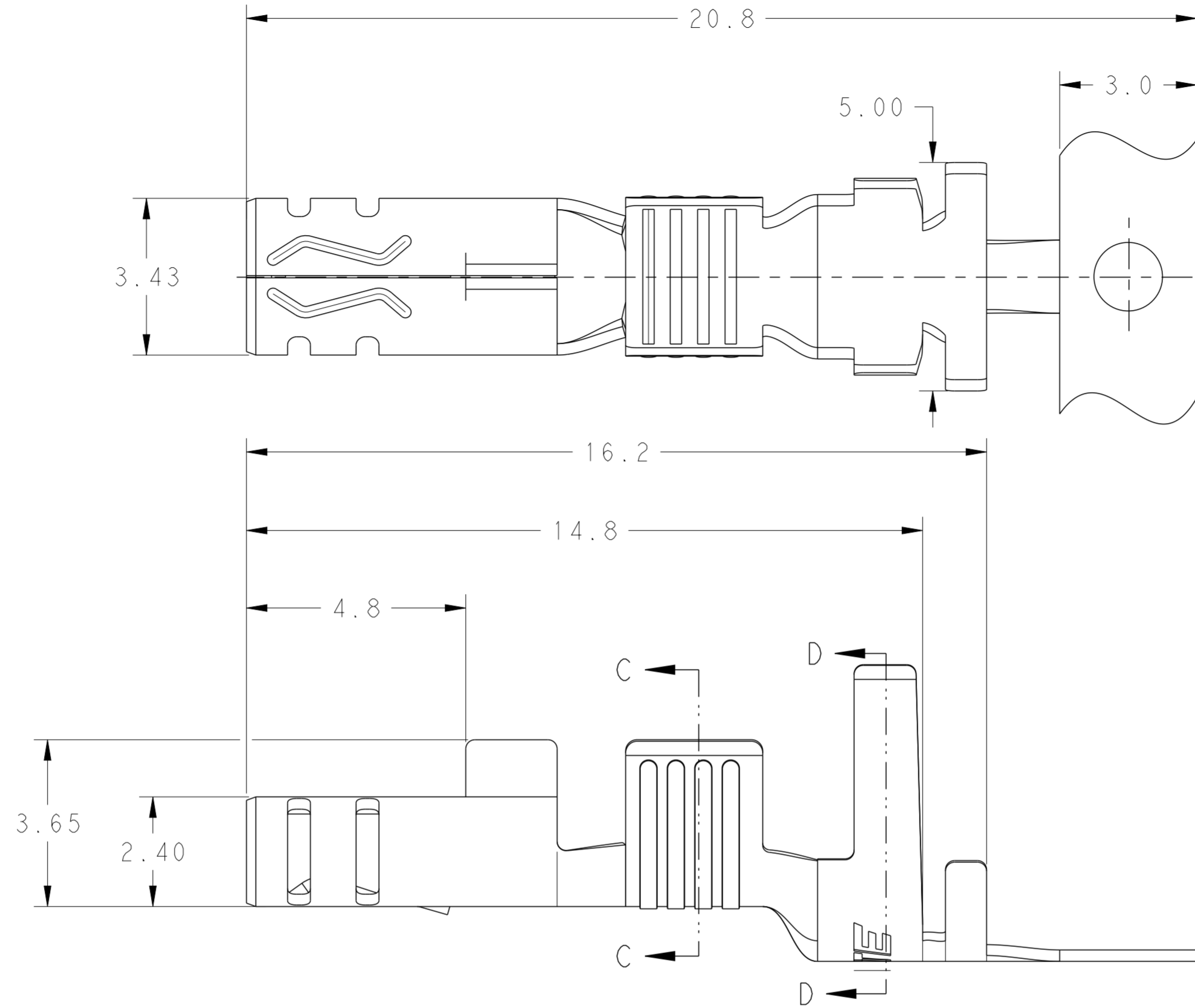
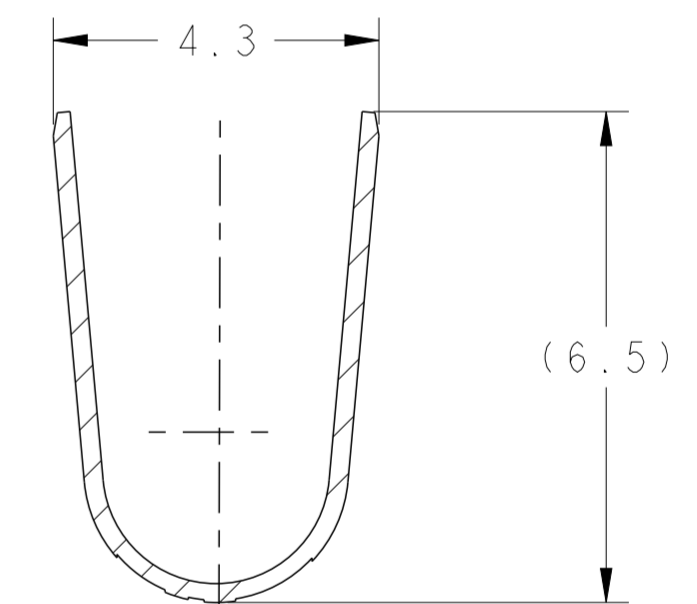


THIS DRAWING IS UNPUBLISHED. RELEASED FOR PUBLICATION 20
 © COPYRIGHT 20 BY - ALL RIGHTS RESERVED.

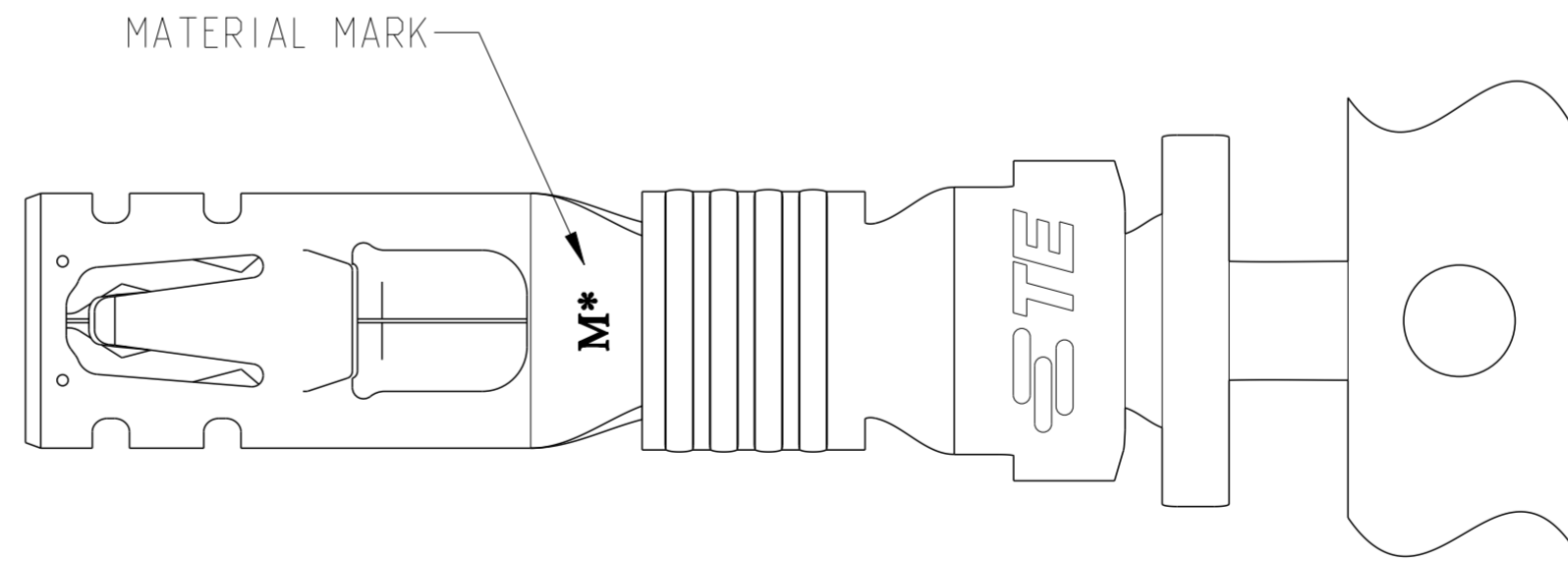
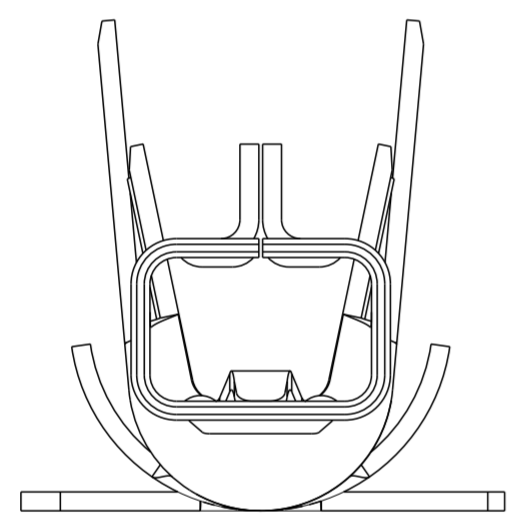
REVISIONS				
P	LTR	DESCRIPTION	DATE	APVD
C1		REVISED PER ECR-15-013268	10SEP2015	NK GJ



SECTION C-C



SECTION D-D



- 1 MATERIAL: COPPER ALLOY, PRE TIN PLATING.
- 2 APPLICABLE MATED PLUG HOUSING P/N:
-1971773-/*-1971776-*/*-1971876-*/
/*-2232265-*/*-2232266-*/*-2232357-*
- 3 APPLICABLE WIRE: 2x18AWG COPPER STRANDED
- 4 APPLICABLE INSULATION DIAMETER: 2.65~2.95mm
- 5 THIS PRODUCT HAS NOT COMPLETED VALIDATION TESTING.

HIGH(150°C)	M0	1971787-2
STANDARD(105°C)	M4	1971787-1
TEMP. RATING	MATERIAL MARK	PART NO

THIS DRAWING IS A CONTROLLED DOCUMENT.

DWN	TOMMY WU	11 JUL 2012
CHK	HAPYE WU	11 JUL 2012
APVD	YUHHONG MAO	11 JUL 2012
PRODUCT SPEC	108-106118	
APPLICATION SPEC	114-106118	
WEIGHT	-	
MATERIAL	-	

Customer Drawing

STE TE Connectivity

RECEPTACLE CONTACT
POWER TRIPLE LOCK

SIZE	CAGE CODE	DRAWING NO	RESTRICTED TO
A2	00779	C-1971787	-
SCALE	SHEET	OF	REV
-	1	1	C1