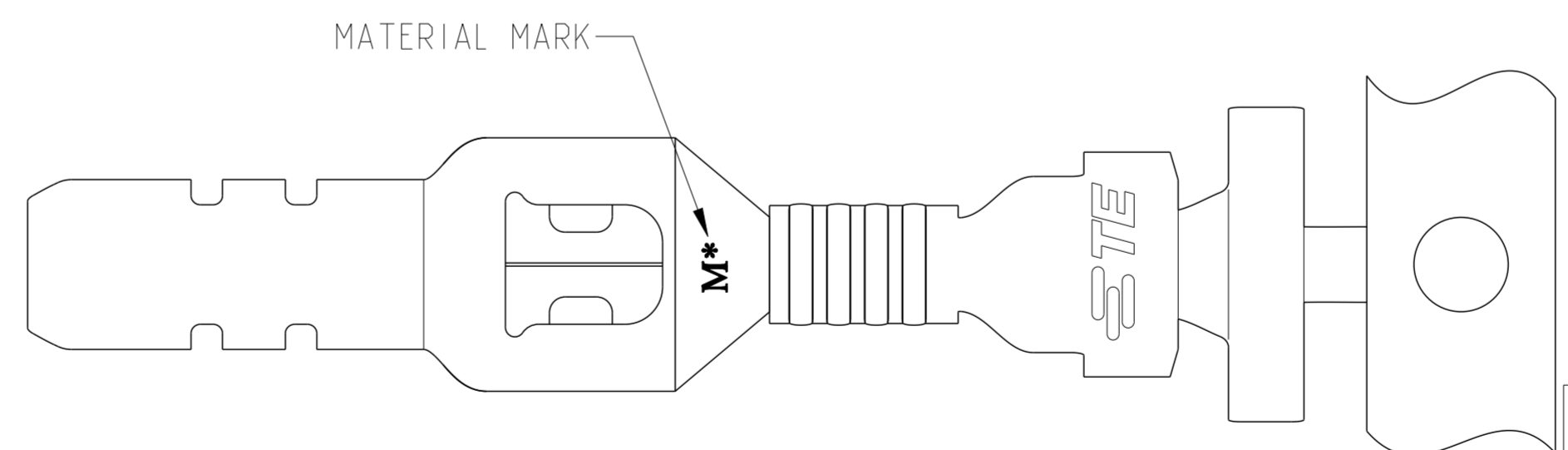
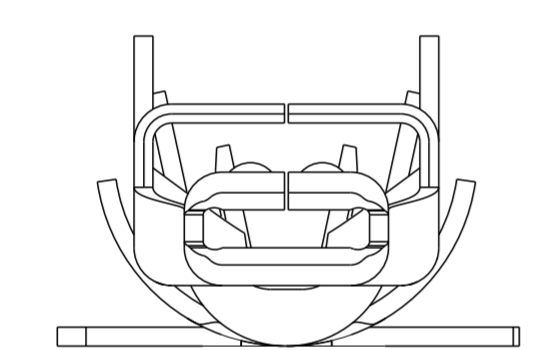
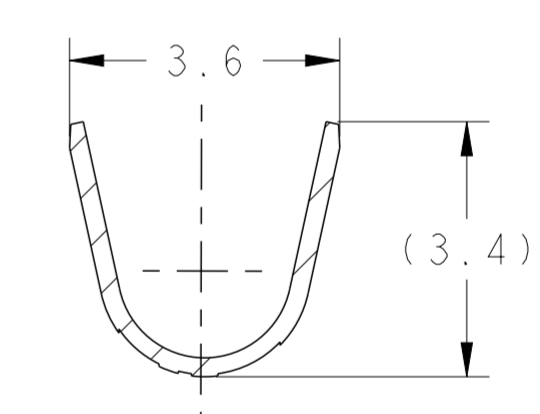
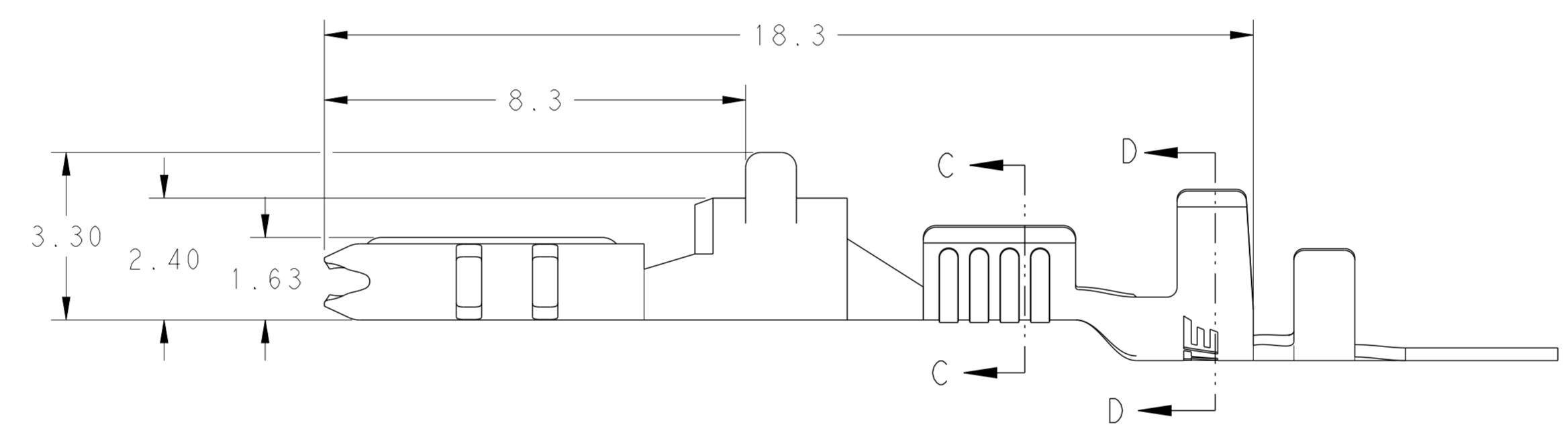
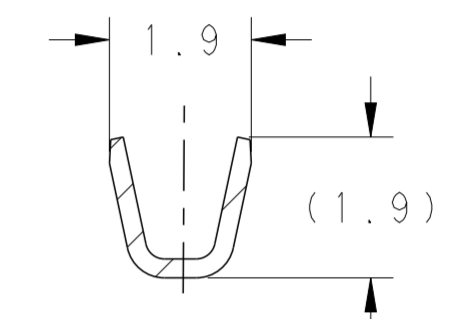
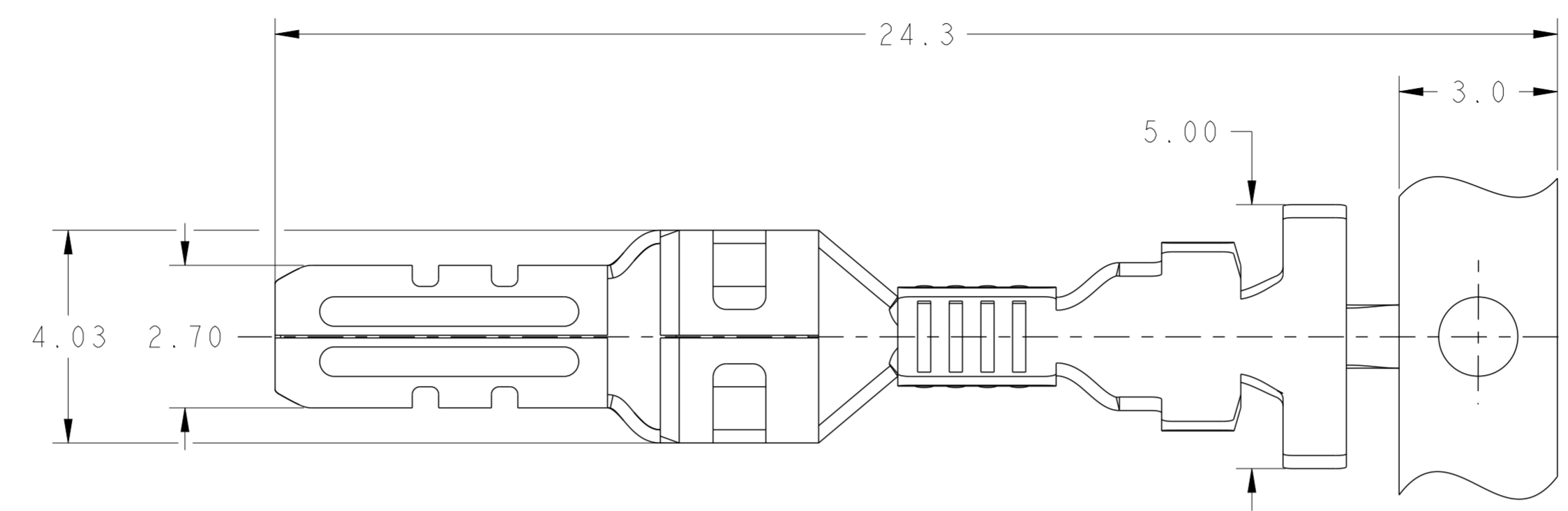


THIS DRAWING IS UNPUBLISHED. RELEASED FOR PUBLICATION 20  
 © COPYRIGHT 20 BY - ALL RIGHTS RESERVED.

LOC	DIST	REVISIONS			
P	LTR	DESCRIPTION	DATE	DWN	APVD
ES	00	C1	REVISED PER ECR-15-013268	10SEP2015	NK GJ



1. APPLICABLE WIRE: 20-22 AWG COPPER STRANDED
2. APPLICABLE INSULATION DIAMETER: 1.14-2.70mm
3. APPLICABLE MATED CAP HOUSING P/N:  
 \*-1971771-\*/\*-1971774-\*/\*-1971874-\*/  
 \*-1971772-\*/\*-1971775-\*/\*-1971875-\*/  
 \*-2232263-\*/\*-2232264-\*/\*-2232357-\*/  
 \*-2232358-\*/\*-2232359-\*/\*-2232360-\*

4. THIS PRODUCT HAS NOT COMPLETED VALIDATION TESTING.

COPPER ALLOY	HIGH(150°C)	M0	1971786-2
BRASS	STANDARD(105°C)	M8	1971786-1
MATERIAL	TEMP. RATING	MATERIAL MARK	PART NO

THIS DRAWING IS A CONTROLLED DOCUMENT.		DWN TOMMY WU 11JUL2011	TE Connectivity	
DIMENSIONS: mm		CHK HAPYE WU 11JUL2011		
TOLERANCES UNLESS OTHERWISE SPECIFIED:		APVD YUHONG MAO 11JUL2011	NAME	
0 PLC ±		PRODUCT SPEC	TAB CONTACT POWER TRIPLE LOCK	
1 PLC ±0.5		APPLICATION SPEC	-	
2 PLC ±0.30		WEIGHT	SIZE	CAGE CODE
3 PLC ±		Customer Drawing	A2	00779
4 PLC ±		SCALE	DRAWING NO	
ANGLES ±		RESTRICTED TO	1971786	
FINISH		Customer Drawing	SCALE	SHEET 1 OF 1
SEE TABLE		Customer Drawing	SCALE	REV C1
PRE-TIN				