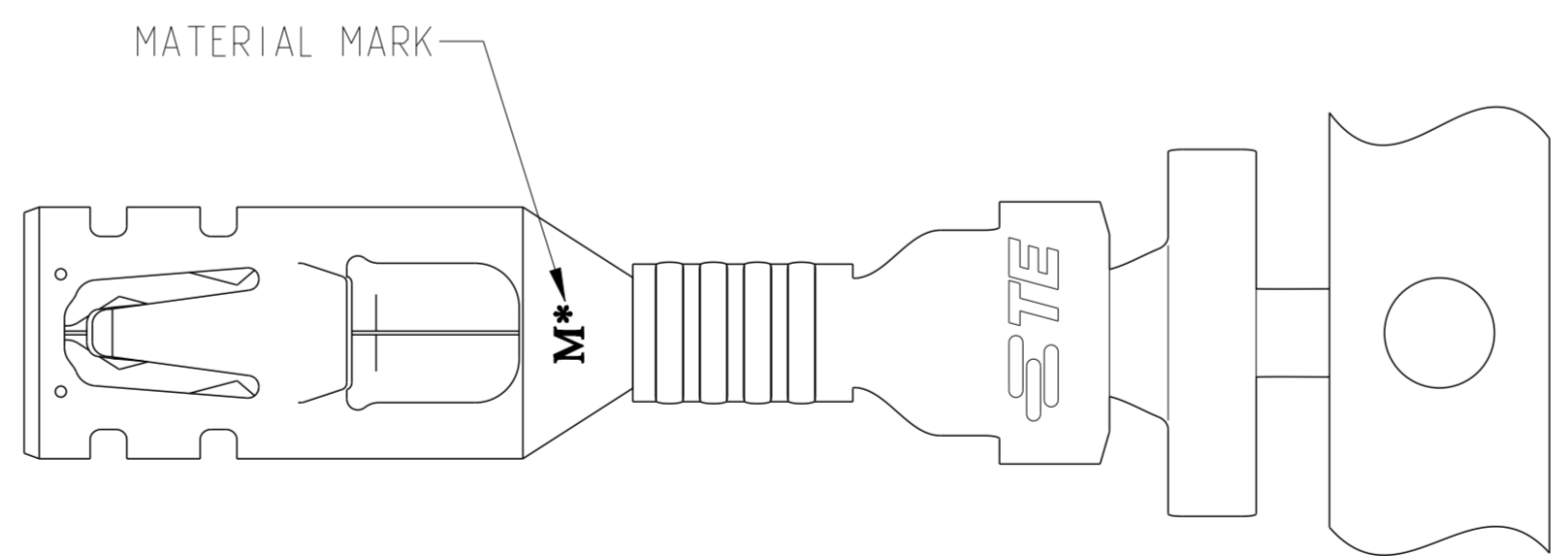
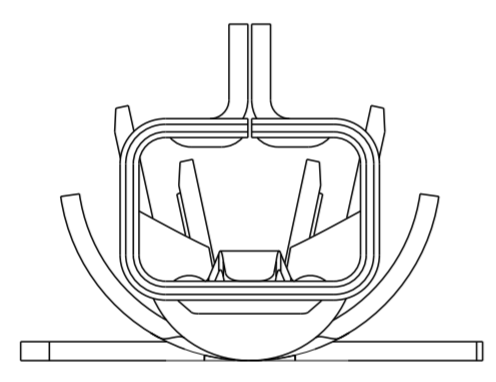
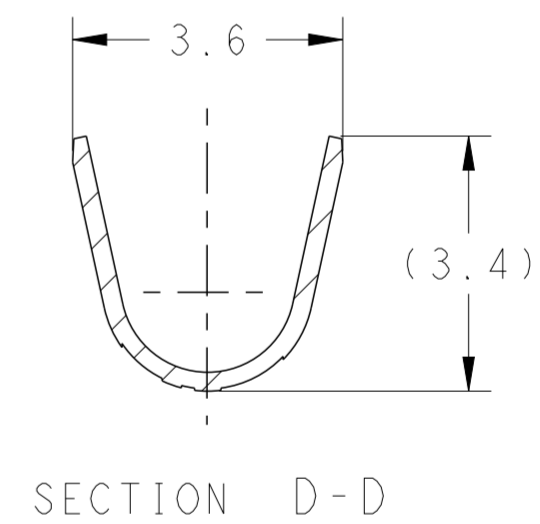
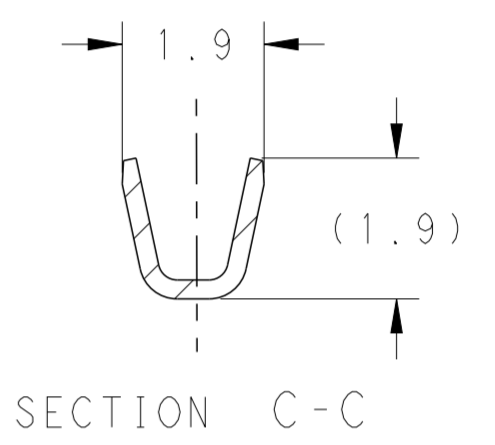
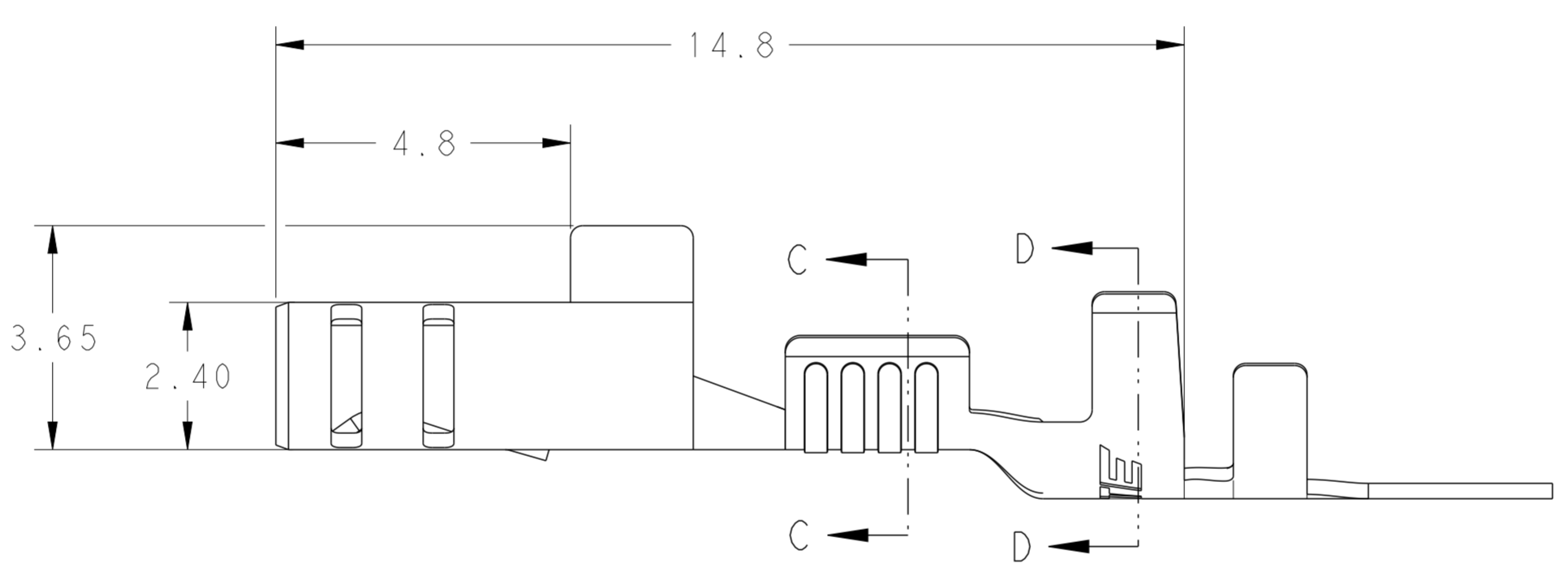
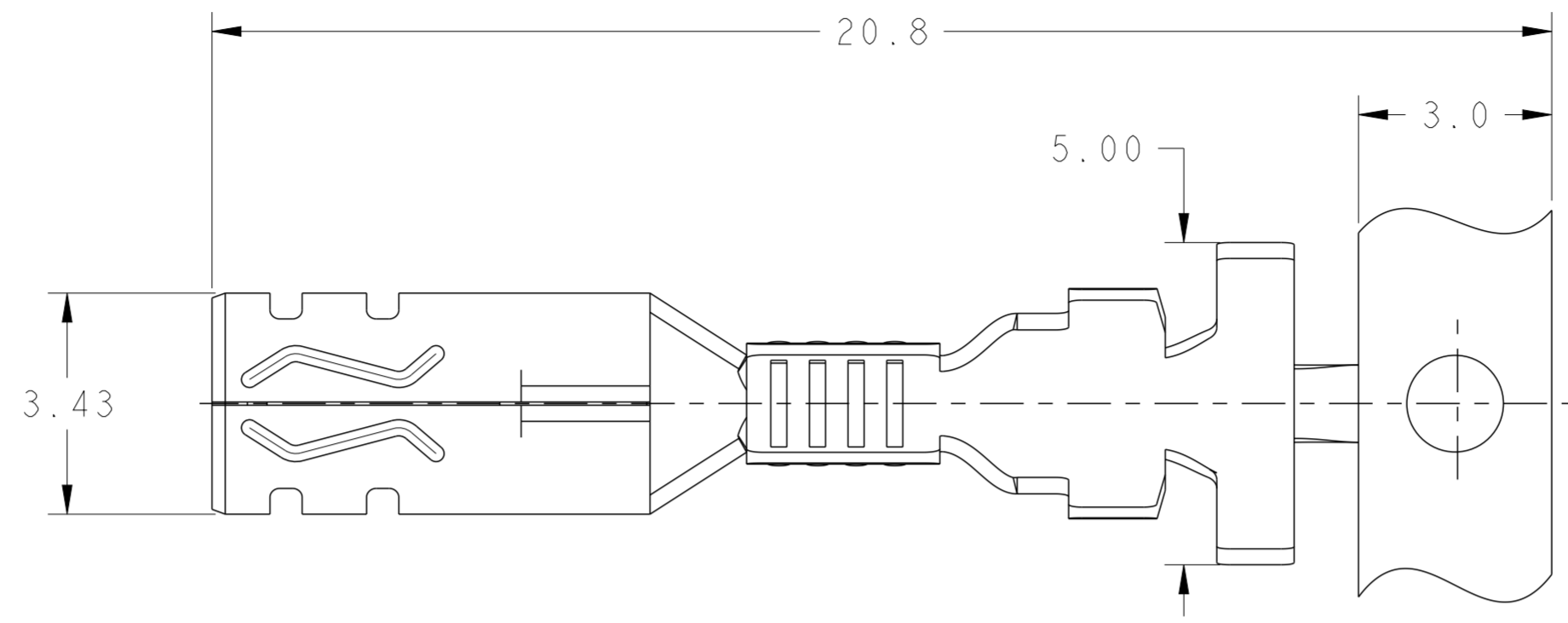


THIS DRAWING IS UNPUBLISHED. RELEASED FOR PUBLICATION 20
 © COPYRIGHT 20 BY - ALL RIGHTS RESERVED.

LOC ES DIST 00

REVISIONS				
P	LTR	DESCRIPTION	DATE	APVD
C1		REVISED PER ECR-15-013268	10SEP2015	NK GJ



- 1 APPLICABLE WIRE: 20-22 AWG COPPER STRANDED
- 2 APPLICABLE INSULATION DIAMETER: 1.14-2.70mm.
- 3 APPLICABLE MATED PLUG HOUSING P/N:
 -1971773-/*-1971776-*/*-1971876-*/
 -2232265-/*-2232266-*/*-2232357-*

4 THIS PRODUCT HAS NOT COMPLETED VALIDATION TESTING.

COPPER ALLOY	HIGH(150°C)	M0	1971785-2
PHOS BRONZE	STANDARD(105°C)	M1	1971785-1
MATERIAL	TEMP. RATING	MATERIAL MARK	PART NO

THIS DRAWING IS A CONTROLLED DOCUMENT.

DIMENSIONS: mm	TOLERANCES UNLESS OTHERWISE SPECIFIED: 0 PLC ± 0.5 1 PLC ± 0.30 2 PLC ± 0.30 3 PLC ± 0.30 4 PLC ± 0.30 ANGLES ± FINISH	DWN TOMMY WU 11JUL2012	NAME	RECEPTACLE CONTACT POWER TRIPLE LOCK
		CHK HAPYE WU 11JUL2012		
		APVD YUHONG MAO 11JUL2012	108-106118	
MATERIAL	PRE-TIN	114-106118	A2100779	C-1971785
SEE TABLE		Customer Drawing	SCALE -	SHEET 1 OF 1 REV C1