



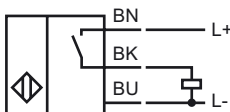
**Model Number**

CCN15-30GS60-E2

**Features**

- 15 mm not embeddable
- Operating distance adjustable via potentiometer
- High EMC resistance
- Stainless steel version
- Operating voltage range 10 V ... 60 V DC

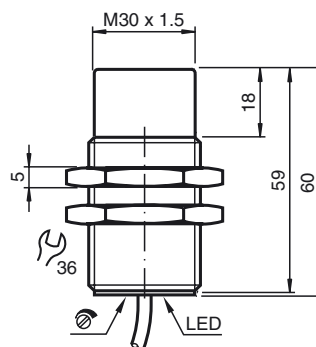
**Connection**



**Accessories**

**BF 30**  
Mounting flange, 30 mm

**Dimensions**



**Technical Data**

**General specifications**

Switching element function	PNP	NO
Rated operating distance	$s_n$	15 mm
Installation	not embeddable	
Output polarity	DC	
Assured operating distance	$s_a$	0 ... 12.1 mm

**Nominal ratings**

<b>Installation conditions</b>		
A	18 mm	
B	10 mm	
C	30 mm	
F	60 mm	
Operating voltage	$U_B$	10 ... 60 V DC
Switching frequency	$f$	0 ... 10 Hz
Reverse polarity protected	reverse polarity protected	
Short-circuit protection	pulsing	
Voltage drop	$U_d$	$\leq 2.8$ V
Operating current	$I_L$	0 ... 200 mA
Off-state current	$I_r$	0 ... 0.5 mA typ. 0.1 $\mu$ A at 25 °C
No-load supply current	$I_0$	$\leq 20$ mA
Indication of the switching state	LED, yellow	

**Indicators/operating means**

Potentiometer	sensitivity adjustment
---------------	------------------------

**Ambient conditions**

Ambient temperature	-25 ... 70 °C (-13 ... 158 °F)
Storage temperature	-40 ... 85 °C (-40 ... 185 °F)

**Mechanical specifications**

Connection type	cable PVC , 2 m
Core cross-section	0.75 mm <sup>2</sup>
Housing material	Stainless steel
Sensing face	PBT
Protection degree	IP67

**Compliance with standards and directives**

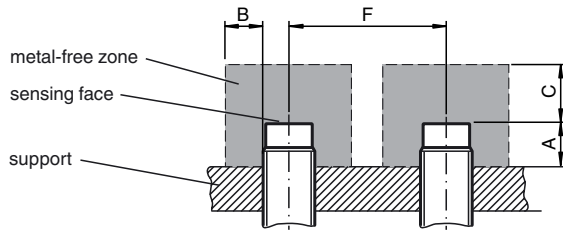
<b>Standard conformity</b>	
Standards	EN 60947-5-2:2007 IEC 60947-5-2:2007

**Approvals and certificates**

UL approval	cULus Listed, General Purpose
CSA approval	cCSAus Listed, General Purpose

Release date: 2011-08-02 15:40 Date of issue: 2011-08-02 189960\_eng.xml

Installation conditions



Release date: 2011-08-02 15:40 Date of issue: 2011-08-02 189960\_eng.xml