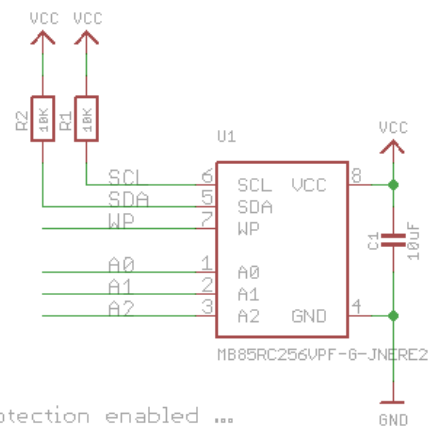


I2C Address = 1010 + A2 + A1 + A0



WP high = write protection enabled ...
needs to go low to enable writing!
(WP has internal pull-down)



FRAM_S08_I2C_REV-B

not saved!

Sheet: 1/1

Drawing: >AUTHOR

Adafruit Industries