



Alcoswitch

TE Internal #: 1825537-3

Rotary Switches, 4 Position, Long Thin Knob Actuator Style, Rotary, Rotary, 4 Switch, Epoxy, .4 A, 3 Poles Code Type, 20 VAC, 20 VDC

[View on TE.com >](#)

Relays, Contactors & Switches > Switches > Rotary Switches



Number of Rotary Switch Positions: 4

Actuator Style: **Long Thin Knob**

Switch Style: **Rotary**

Rotary Switch Type: **Rotary**

Number of Switches: 4

**Features**

**Product Type Features**

Removable Tape Seal	Without
Product Type	Switch
Illuminated	No
Actuator Style	Long Thin Knob
Switch Style	Rotary
Rotary Switch Type	Rotary
Sealed Rotary Switch	No
Code Type	3 Poles
Angle of Throw	15

**Configuration Features**

Number of Rotary Switch Positions	4
Number of Switches	4

**Electrical Characteristics**

Rotary Switch Voltage Rating	20 VAC
------------------------------	--------

**Contact Features**

Solder Tail Contact Plating	Gold over Nickel
Rotary Switch Contact Current Rating	.4 A
Rotary Switch Contact Mating Area Plating Material	Gold
Contact Base Material	Brass



### Mechanical Attachment

Rotary Switch Mounting Type	Printed Circuit Board
Rotary Switch Mounting Angle	Straight

### Housing Features

Rotary Switch Housing Material	Epoxy
--------------------------------	-------

### Usage Conditions

Oil-Tight	No
-----------	----

### Other

Comment	Fixed
---------	-------

## Product Compliance

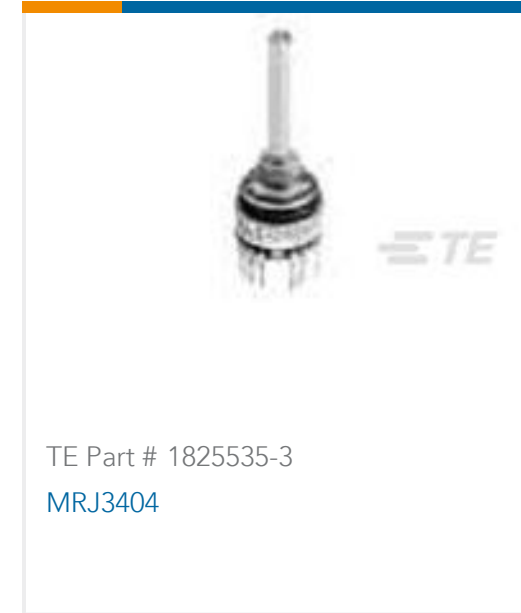
[For compliance documentation, visit the product page on TE.com>](#)

EU RoHS Directive 2011/65/EU	Not Compliant
EU ELV Directive 2000/53/EC	Compliant with Exemptions
China RoHS 2 Directive MIIT Order No 32, 2016	No Restricted Materials Above Threshold
EU REACH Regulation (EC) No. 1907/2006	Current ECHA Candidate List: JAN 2022 (223) Candidate List Declared Against: JAN 2022 (223) SVHC > Threshold: DEHP (7% in Component Part) <b>Article Safe Usage Statements:</b> Do not eat, drink or smoke when using this product. Wash thoroughly after handling. Recycle if possible and dispose of the article by following all applicable governmental regulations relevant to your geographic location.
Halogen Content	Low Halogen - Br, Cl, F, I < 900 ppm per homogenous material. Also BFR/CFR/PVC Free
Solder Process Capability	Wave solder capable to 265°C

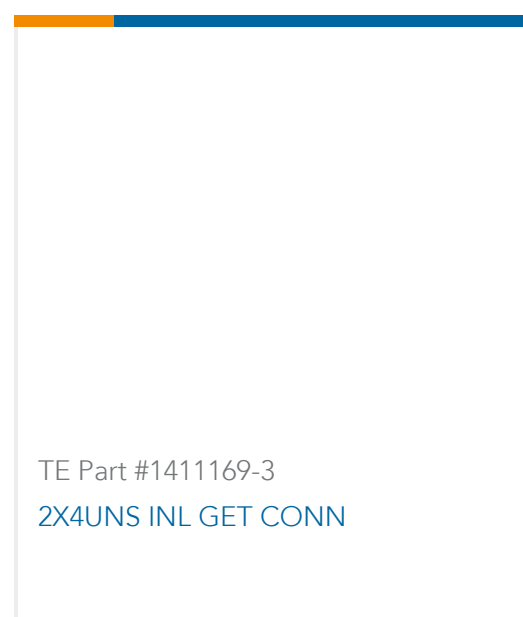
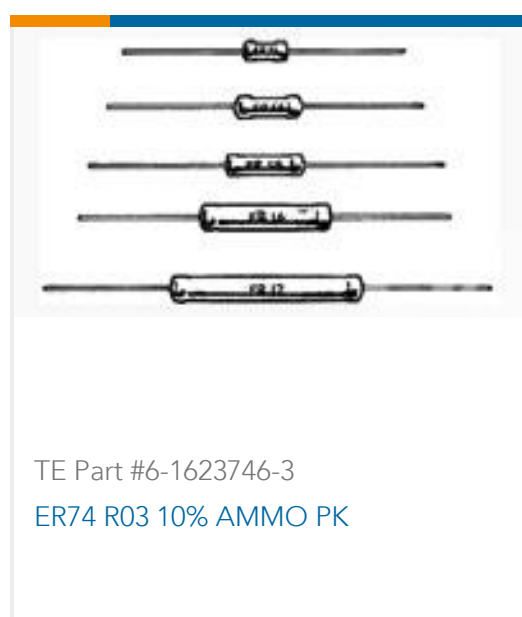
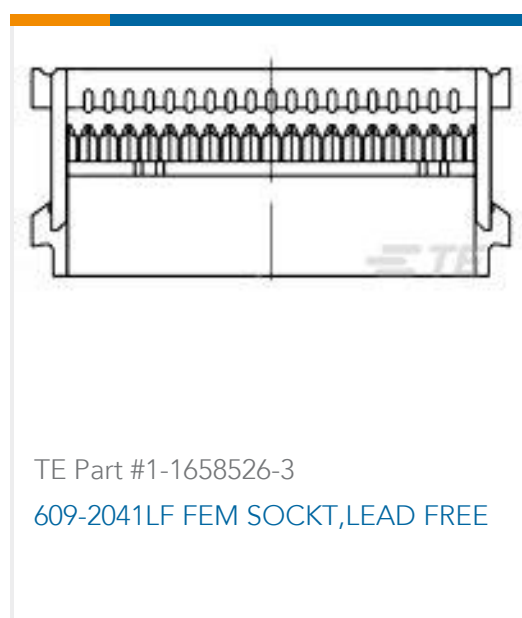
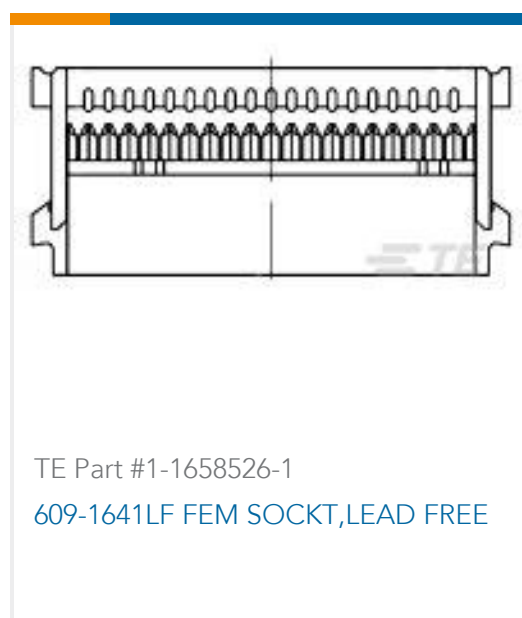
#### Product Compliance Disclaimer

This information is provided based on reasonable inquiry of our suppliers and represents our current actual knowledge based on the information they provided. This information is subject to change. The part numbers that TE has identified as EU RoHS compliant have a maximum concentration of 0.1% by weight in homogenous materials for lead, hexavalent chromium, mercury, PBB, PBDE, DBP, BBP, DEHP, DIBP, and 0.01% for cadmium, or qualify for an exemption to these limits as defined in the Annexes of Directive 2011/65/EU (RoHS2). Finished electrical and electronic equipment products will be CE marked as required by Directive 2011/65/EU. Components may not be CE marked. Additionally, the part numbers that TE has identified as EU ELV compliant have a maximum concentration of 0.1% by weight in homogenous materials for lead, hexavalent chromium, and mercury, and 0.01% for cadmium, or qualify for an exemption to these limits as defined in the Annexes of Directive 2000/53/EC (ELV). Regarding the REACH Regulation, the information TE provides on SVHC in articles for this part number is based on the latest European Chemicals Agency (ECHA) 'Guidance on requirements for substances in articles' posted at this URL: <https://echa.europa.eu/guidance-documents/guidance-on-reach>

## Compatible Parts



## Customers Also Bought



## Documents

### Product Drawings

[MRJE3404](#)

English

### CAD Files

[3D PDF](#)

[3D](#)



**Customer View Model**

[ENG\\_CVM\\_CVM\\_1825537-3\\_A.2d\\_dxf.zip](#)

English

**Customer View Model**

[ENG\\_CVM\\_CVM\\_1825537-3\\_A.3d\\_igs.zip](#)

English

**Customer View Model**

[ENG\\_CVM\\_CVM\\_1825537-3\\_A.3d\\_stp.zip](#)

English

By downloading the CAD file I accept and agree to the [Terms and Conditions](#) of use.