



[Alcoswitch](#) | [Alcoswitch MSP3](#)

TE Internal #: 1825516-2

Alcoswitch MSP3, Push Button Switches, Single Pole - Single Throw Configuration (Pole-Throw), Switch, Single Actuator, Extended Actuator Profile

[View on TE.com >](#)

Relays, Contactors & Switches > Switches > Push Button Switches



Configuration (Pole-Throw): **Single Pole - Single Throw**

Push Button Switch Product Type: **Switch**

Number of Actuators: **Single**

Actuator Profile: **Extended**

Bushing Style: **Threaded**

Features

Product Type Features

Switch Type	Pushbutton
Dust Proof	No
Push Button Switch Product Type	Switch
Illuminated	No
Actuator Style	Round

Configuration Features

ESD Grounding Terminal	Without
Ganged	No
	.253 in
Configuration (Pole-Throw)	Single Pole - Single Throw
Number of Actuators	Single
Snap Action	Without
Support Bracket	Without
Tactile	No
Operating Function	NO, Momentary

Electrical Characteristics

Push Button Switch Voltage Rating	125 VAC
-----------------------------------	---------

Body Features



Case Material	Phenol Resin
Actuator Material	Thermoplastic
Actuator Profile	Extended
Bushing Style	Threaded
Bushing Thread Size	1/4-40
Actuator Color	Red

Contact Features

Contact Base Material	Copper Alloy
Push Button Switch Contact Current Rating	3 A
Switch Contact Plating Material	Silver

Termination Features

Termination Type	Wire Lugs
------------------	-----------

Mechanical Attachment

Mounting Angle	Vertical
Screw & Hole Thread Size	1/4-40 UNS-2A
Push Button Switch Mounting Type	Panel

Housing Features

Low Profile	No
Process Sealed	No

Dimensions

Actuator Length	2.5 mm[.098 in]
Button Width	3.98 mm[.157 in]
Bushing Length	5.94 mm[.234 in]

Usage Conditions

Temperature Rating	Standard
--------------------	----------

Packaging Features

Packaging Method	Bulk
------------------	------

Product Compliance

[For compliance documentation, visit the product page on TE.com>](#)

EU RoHS Directive 2011/65/EU	Compliant with Exemptions
EU ELV Directive 2000/53/EC	Compliant with Exemptions



China RoHS 2 Directive MIIT Order No 32, 2016	Restricted Materials Above Threshold
EU REACH Regulation (EC) No. 1907/2006	Current ECHA Candidate List: JAN 2022 (223) Candidate List Declared Against: JAN 2022 (223) SVHC > Threshold: Pb (1.82% in Component Part) Article Safe Usage Statements: Do not eat, drink or smoke when using this product. Wash thoroughly after handling. Recycle if possible and dispose of the article by following all applicable governmental regulations relevant to your geographic location.
Halogen Content	Low Halogen - Br, Cl, F, I < 900 ppm per homogenous material. Also BFR/CFR/PVC Free
Solder Process Capability	Hand solderable with lead free solder

Product Compliance Disclaimer

This information is provided based on reasonable inquiry of our suppliers and represents our current actual knowledge based on the information they provided. This information is subject to change. The part numbers that TE has identified as EU RoHS compliant have a maximum concentration of 0.1% by weight in homogenous materials for lead, hexavalent chromium, mercury, PBB, PBDE, DBP, BBP, DEHP, DIBP, and 0.01% for cadmium, or qualify for an exemption to these limits as defined in the Annexes of Directive 2011/65/EU (RoHS2). Finished electrical and electronic equipment products will be CE marked as required by Directive 2011/65/EU. Components may not be CE marked. Additionally, the part numbers that TE has identified as EU ELV compliant have a maximum concentration of 0.1% by weight in homogenous materials for lead, hexavalent chromium, and mercury, and 0.01% for cadmium, or qualify for an exemption to these limits as defined in the Annexes of Directive 2000/53/EC (ELV). Regarding the REACH Regulation, the information TE provides on SVHC in articles for this part number is based on the latest European Chemicals Agency (ECHA) 'Guidance on requirements for substances in articles' posted at this URL: <https://echa.europa.eu/guidance-documents/guidance-on-reach>

Compatible Parts



Also in the Series | [Alcoswitch MSP3](#)

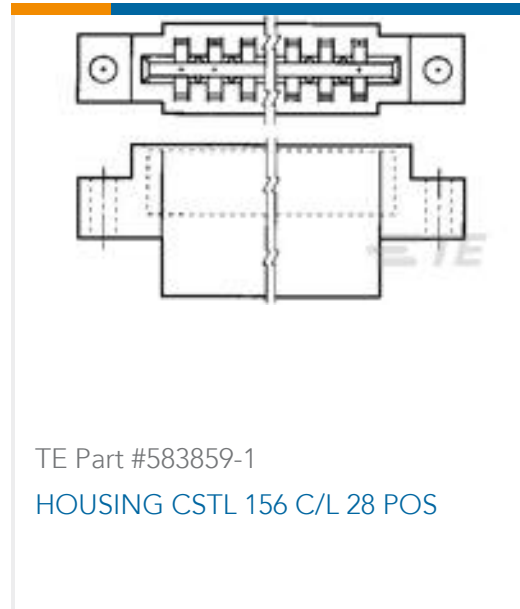


Push Button Switches(4)

Customers Also Bought



TE Part #2333393-3
OSFP 25GIG 30AWG 1 METER



TE Part #583859-1
HOUSING CSTL 156 C/L 28 POS



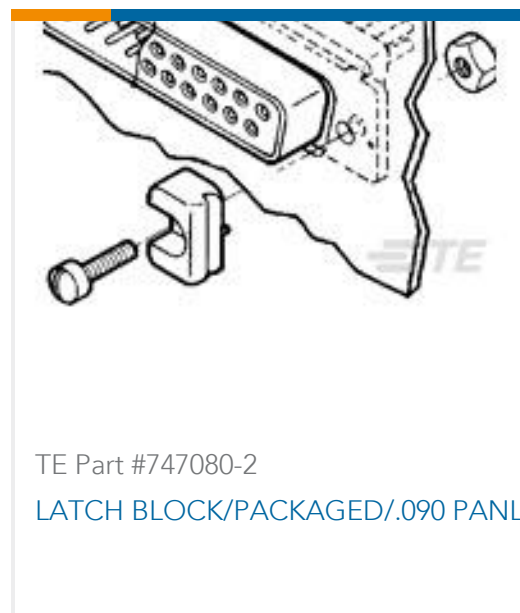
TE Part #794229-3
MINI UMN2 SOK 22-18 AWG AU LP



TE Part #202173-7
104 CTR. FASTNR. GUIDE PIN ASY



TE Part #8-1624112-0
3650 0603 30nH 5% 2K RL



TE Part #747080-2
LATCH BLOCK/PACKAGED/.090 PANL



TE Part #52924-1
TERMINAL,PIDG SPR SPD 26-22 6



TE Part #52454-1
PG SPR SPD 22-16COMM 22-18MIL8



TE Part #2-104257-3
24 MTE RCPT HSG SR LATCH .100



TE Part #1-201692-6
CNTR FASTENER PLUG BLOCK,104P

Documents

Product Drawings

[MSP103C04](#)

English

CAD Files

[3D PDF](#)

3D

Customer View Model

[ENG_CVM_CVM_1825516-2_C.2d_dxf.zip](#)



English

Customer View Model

[ENG_CVM_CVM_1825516-2_C.3d_igs.zip](#)

English

Customer View Model

[ENG_CVM_CVM_1825516-2_C.3d_stp.zip](#)

English

By downloading the CAD file I accept and agree to the [Terms and Conditions](#) of use.

Product Environmental Compliance

TE Material Declaration

English