



Alcoswitch

TE Internal #: 1825280-1

Slide Switches, Single Pole - Double Throw Configuration (Pole-Throw), Vertical, Copper Alloy, Single Actuator, 2 Position, On On, . 1 A, 12 VDC

[View on TE.com >](#)

Relays, Contactors & Switches > Switches > Slide Switches



Configuration (Pole-Throw): **Single Pole - Double Throw**

Slide Switch Mounting Angle: **Vertical**

Contact Base Material: **Copper Alloy**

Number of Actuators: **Single**

Number of Slide Switch Positions: **2**

Features

Product Type Features

Threaded Case	Without
Grade	Instrumentation
Switch Type	Slide
Product Type	Switch
Switch Style	Low Profile
Terminal Configuration	Standard
Actuator Style	Extended, Top

Configuration Features

Terminals Connected	2-1
Configuration (Pole-Throw)	Single Pole - Double Throw
Number of Actuators	Single
Number of Slide Switch Positions	2
Operating Function	On On

Electrical Characteristics

Slide Switch Voltage Rating (VDC)	12
-----------------------------------	----

Body Features

Actuator Travel	2 mm[.079 in]
Actuator Material	Nylon



Actuator Color	Black
----------------	-------

Contact Features

Contact Base Material	Copper Alloy
Slide Switch Contact Current Rating	.1 A
Switch Contact Plating Material	Silver

Termination Features

Termination Type	PC
------------------	----

Mechanical Attachment

PCB Mount Retention Type	Extended
Slide Switch Mounting Angle	Vertical
Slide Switch Mounting Type	Through Hole

Dimensions

PCB Tail Length	3 mm[.118 in]
Actuator Length	2.01 mm[.079 in]
Width	4.3 mm[.169 in]
Length	10.2 mm[.402 in]

Industry Standards

UL Flammability Rating	UL 94V-0
------------------------	----------

Packaging Features

Packaging Method	Tray
------------------	------

Product Compliance

[For compliance documentation, visit the product page on TE.com>](#)

EU RoHS Directive 2011/65/EU	Compliant
EU ELV Directive 2000/53/EC	Compliant
China RoHS 2 Directive MIIT Order No 32, 2016	No Restricted Materials Above Threshold
EU REACH Regulation (EC) No. 1907/2006	Current ECHA Candidate List: JAN 2022 (223) Candidate List Declared Against: JAN 2022 (223) Does not contain REACH SVHC
Halogen Content	Low Halogen - Br, Cl, F, I < 900 ppm per homogenous material. Also BFR/CFR/PVC Free

Solder Process Capability

Wave solder capable to 265°C

Product Compliance Disclaimer

This information is provided based on reasonable inquiry of our suppliers and represents our current actual knowledge based on the information they provided. This information is subject to change. The part numbers that TE has identified as EU RoHS compliant have a maximum concentration of 0.1% by weight in homogenous materials for lead, hexavalent chromium, mercury, PBB, PBDE, DBP, BBP, DEHP, DIBP, and 0.01% for cadmium, or qualify for an exemption to these limits as defined in the Annexes of Directive 2011/65/EU (RoHS2). Finished electrical and electronic equipment products will be CE marked as required by Directive 2011/65/EU. Components may not be CE marked. Additionally, the part numbers that TE has identified as EU ELV compliant have a maximum concentration of 0.1% by weight in homogenous materials for lead, hexavalent chromium, and mercury, and 0.01% for cadmium, or qualify for an exemption to these limits as defined in the Annexes of Directive 2000/53/EC (ELV). Regarding the REACH Regulation, the information TE provides on SVHC in articles for this part number is based on the latest European Chemicals Agency (ECHA) 'Guidance on requirements for substances in articles' posted at this URL: <https://echa.europa.eu/guidance-documents/guidance-on-reach>

Compatible Parts

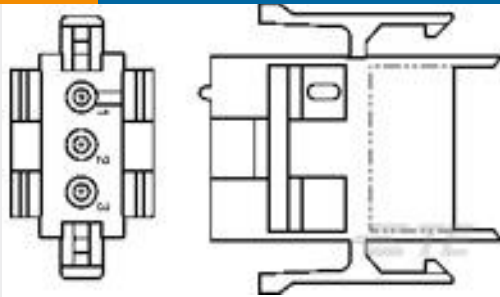


TE Part # 1825282-1
SSJ12R04/SSJ91431F04=SPDT SLIDE SWITCH

Customers Also Bought



TE Part #1-1393117-9
KUP-11A15-120=KU



TE Part #1-640508-0
03P MR II CAP HSG V0



TE Part #5-104069-2
50 sys 50 hdr drra shrd sn



TE Part #33469
TERMINAL,SOLIS R 4 1/4




TE Part #1546306-6
6P .374" DR BARRIER STRIP



TE Part #103638-6
07 MTE HDR SRST LATCH .100CL



TE Part #282841-2
TERMI-BLOK PCB MOUNT 2P . 5



TE Part #34137
SPLICE,SOLIS PARA BRZD 16-14



Documents

Product Drawings

[SSJ1204 LOW P SLIDE SWITCH SPDT](#)

English

Datasheets & Catalog Pages

[SWITCHES_CORE_PROGRAM_CATALOG](#)

English