

1825255-8 ✓ ACTIVE

[Alcoswitch](#) | [Alcoswitch MHS](#)

TE Internal #: 1825255-8

Alcoswitch MHS, Slide Switches, Single Pole - Three Throw Configuration (Pole-Throw), Vertical, Copper Alloy, Single Actuator, 3 Position, On On On

[View on TE.com >](#)



Relays, Contactors & Switches > Switches > Slide Switches



Configuration (Pole-Throw): **Single Pole - Three Throw**

Slide Switch Mounting Angle: **Vertical**

Contact Base Material: **Copper Alloy**

Number of Actuators: **Single**

Number of Slide Switch Positions: **3**

Features

Product Type Features

Threaded Case	Without
Grade	Instrumentation
Switch Type	Slide
Product Type	Switch
Switch Style	Low Profile
Terminal Configuration	Standard
Actuator Style	Top

Configuration Features

Terminals Connected	2-1
Configuration (Pole-Throw)	Single Pole - Three Throw
Number of Actuators	Single
Number of Slide Switch Positions	3
Operating Function	On On On

Electrical Characteristics

Slide Switch Voltage Rating (VDC)	20
-----------------------------------	----

Body Features

Actuator Travel	2 mm[.079 in]
Actuator Material	POM



Actuator Color	Black
----------------	-------

Contact Features

Contact Base Material	Copper Alloy
Slide Switch Contact Current Rating	.4 A
Switch Contact Plating Material	Gold

Termination Features

Termination Type	PC
------------------	----

Mechanical Attachment

PCB Mount Retention	With
PCB Mount Retention Type	Guide Post
Slide Switch Mounting Angle	Vertical
Slide Switch Mounting Type	Through Hole

Dimensions

PCB Tail Length	3.51 mm[.138 in]
Actuator Length	4.5 mm[.18 in]
Width	6.2 mm[.244 in]
Length	15 mm[.591 in]

Identification Marking

Stamped Marking	With
-----------------	------

Industry Standards

UL Flammability Rating	UL 94HB
------------------------	---------

Packaging Features

Packaging Method	Tray
------------------	------

Product Compliance

[For compliance documentation, visit the product page on TE.com>](#)

EU RoHS Directive 2011/65/EU	Compliant
EU ELV Directive 2000/53/EC	Compliant
China RoHS 2 Directive MIIT Order No 32, 2016	No Restricted Materials Above Threshold
EU REACH Regulation (EC) No. 1907/2006	Current ECHA Candidate List: JAN 2022 (223) Candidate List Declared Against: JAN 2021 (211)

SVHC > Threshold:
Not Yet Reviewed

Halogen Content

Low Halogen - Br, Cl, F, I < 900 ppm per homogenous material. Also BFR/CFR/PVC Free

Solder Process Capability

Wave solder capable to 265°C

Product Compliance Disclaimer

This information is provided based on reasonable inquiry of our suppliers and represents our current actual knowledge based on the information they provided. This information is subject to change. The part numbers that TE has identified as EU RoHS compliant have a maximum concentration of 0.1% by weight in homogenous materials for lead, hexavalent chromium, mercury, PBB, PBDE, DBP, BBP, DEHP, DIBP, and 0.01% for cadmium, or qualify for an exemption to these limits as defined in the Annexes of Directive 2011/65/EU (RoHS2). Finished electrical and electronic equipment products will be CE marked as required by Directive 2011/65/EU. Components may not be CE marked. Additionally, the part numbers that TE has identified as EU ELV compliant have a maximum concentration of 0.1% by weight in homogenous materials for lead, hexavalent chromium, and mercury, and 0.01% for cadmium, or qualify for an exemption to these limits as defined in the Annexes of Directive 2000/53/EC (ELV). Regarding the REACH Regulation, the information TE provides on SVHC in articles for this part number is based on the latest European Chemicals Agency (ECHA) 'Guidance on requirements for substances in articles' posted at this URL: <https://echa.europa.eu/guidance-documents/guidance-on-reach>

Compatible Parts



TE Part # 1825289-1
MHS22204=DPDT SL SW VERT AG



TE Part # 1825289-8
MHS23304=DP3T SL SW VERT AG



TE Part # 1825258-2
SPDT SL SW R/A AU



TE Part # 1571630-2
MSS2250R04=DPDT SL SW R/A AG



TE Part # 1825257-2
MSS1200G04=SPDT SL SW VERT AU



TE Part # 1825260-1
MSS1300R04=SP3T SL SW R/A AG



TE Part # 1825261-1
MSS220004=DPDT SL SW VERT AG



TE Part # 1825263-1
MSS225004=DPDT SL SW VERT AG



TE Part # 1825264-2
MSS4200G04=4PDT SL SW AU



TE Part # 1825265-2
MSS4200R04=4PDT SL SW R/A AU



TE Part # 1825267-1
MSS430004=4P3T SL SW AG



TE Part # 1825289-2
MHS222G04=DPDT SL SW VERT AU



TE Part # 1825268-2
MSS4300RG04=4P3T SL SW R/A AU



TE Part # 1825259-2
MSS1300G04=SP3T SL SW VERT AU



TE Part # 1825262-2
MSS2225G04=DPDT SL SW VERT AU



TE Part # 1825268-1
MSS4300R04=4P3T SL SW R/A AG



TE Part # 1825261-2
MSS2200G04=DPDT SL SW VERT AU



TE Part # 1-1825289-0
MHS233K04=DP3T SL SW VERT AG



TE Part # 1825257-1
MSS120004=SPDT SL SW VERT AG



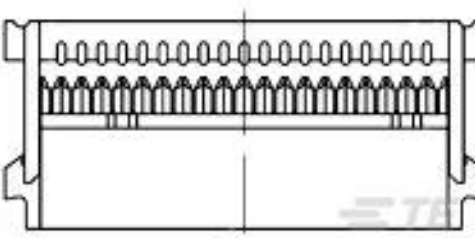
TE Part # 1825264-1
MSS420004=4PDT SL SW AG

Also in the Series | Alcoswitch MHS



Slide Switches(16)

Customers Also Bought



TE Part #1-1658526-2
609-2030LF FEM SOCKET, LEAD FREE



TE Part #1676353-2
RN 0805 49K9 0.1% 10PPM 1KRL



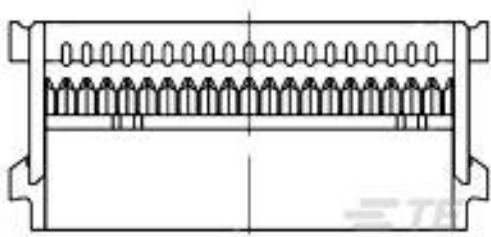
TE Part #5557484-1
MJ,TE,8P,SHLD,LOW PNL STR




TE Part #3-5338556-1
8/8 MOD JACK ASSY SE



TE Part #2-1761605-7
IDC LOW PRO HDR 20P RA BLUE



TE Part #2-1658526-9
609-1630LF=FSKT IDC S 16 30AU



TE Part #2-1761609-3
IDC LOW PRO HDR 10P RA SHT LAT



TE Part #7-6474640-3
FSN-21A



Documents

Product Drawings

MHS133G04=SP3T SL SW VERT AU

English

CAD Files

3D PDF

3D

Customer View Model

[ENG_CVM_CVM_1825255-8_B.2d_dxf.zip](#)

English

Customer View Model

[ENG_CVM_CVM_1825255-8_B.3d_igs.zip](#)

English

Customer View Model

[ENG_CVM_CVM_1825255-8_B.3d_stp.zip](#)

English

By downloading the CAD file I accept and agree to the [Terms and Conditions](#) of use.

Datasheets & Catalog Pages

[SWITCHES_CORE_PROGRAM_CATALOG](#)

English

Product Environmental Compliance

[TE Material Declaration](#)

English