



Alcoswitch

TE Internal #: 1825232-1

Slide Switches, Single Pole - Double Throw Configuration (Pole-Throw), Right Angle, Copper Alloy, Single Actuator, 2 Position, On None On, .2 A

[View on TE.com >](#)

Relays, Contactors & Switches > Switches > Slide Switches



Configuration (Pole-Throw): **Single Pole - Double Throw**

Slide Switch Mounting Angle: **Right Angle**

Contact Base Material: **Copper Alloy**

Number of Actuators: **Single**

Number of Slide Switch Positions: **2**

**Features**

**Product Type Features**

Threaded Case	Without
Grade	Economy
Switch Type	Slide
Product Type	Switch
Switch Style	Low Profile
Terminal Configuration	Standard
Actuator Style	Top

**Configuration Features**

Configuration (Pole-Throw)	Single Pole - Double Throw
Number of Actuators	Single
Number of Slide Switch Positions	2
Operating Function	On None On

**Electrical Characteristics**

Slide Switch Voltage Rating (VDC)	30
-----------------------------------	----

**Body Features**

Actuator Travel	2 mm[.079 in]
Actuator Material	Nylon
Actuator Color	Black



### Contact Features

Contact Base Material	Copper Alloy
Slide Switch Contact Current Rating	.2 A
Switch Contact Plating Material	Silver

### Termination Features

Termination Type	PC
------------------	----

### Mechanical Attachment

PCB Mount Retention	With
PCB Mount Retention Type	Guide Post
Slide Switch Mounting Angle	Right Angle
Slide Switch Mounting Type	Through Hole

### Dimensions

PCB Tail Length	2.4 mm[.094 in]
Actuator Length	3 mm[.118 in]
Width	4.3 mm[.169 in]
Length	9.05 mm[.356 in]

### Industry Standards

UL Flammability Rating	UL 94HB
------------------------	---------

### Packaging Features

Packaging Method	Tray
------------------	------

### Product Compliance

[For compliance documentation, visit the product page on TE.com>](#)

EU RoHS Directive 2011/65/EU	Compliant
EU ELV Directive 2000/53/EC	Compliant
China RoHS 2 Directive MIIT Order No 32, 2016	No Restricted Materials Above Threshold
EU REACH Regulation (EC) No. 1907/2006	Current ECHA Candidate List: JAN 2022 (223) Candidate List Declared Against: JAN 2022 (223) Does not contain REACH SVHC
Halogen Content	Low Halogen - Br, Cl, F, I < 900 ppm per homogenous material. Also BFR/CFR/PVC Free

Solder Process Capability

Wave solder capable to 265°C

Product Compliance Disclaimer

This information is provided based on reasonable inquiry of our suppliers and represents our current actual knowledge based on the information they provided. This information is subject to change. The part numbers that TE has identified as EU RoHS compliant have a maximum concentration of 0.1% by weight in homogenous materials for lead, hexavalent chromium, mercury, PBB, PBDE, DBP, BBP, DEHP, DIBP, and 0.01% for cadmium, or qualify for an exemption to these limits as defined in the Annexes of Directive 2011/65/EU (RoHS2). Finished electrical and electronic equipment products will be CE marked as required by Directive 2011/65/EU. Components may not be CE marked. Additionally, the part numbers that TE has identified as EU ELV compliant have a maximum concentration of 0.1% by weight in homogenous materials for lead, hexavalent chromium, and mercury, and 0.01% for cadmium, or qualify for an exemption to these limits as defined in the Annexes of Directive 2000/53/EC (ELV). Regarding the REACH Regulation, the information TE provides on SVHC in articles for this part number is based on the latest European Chemicals Agency (ECHA) 'Guidance on requirements for substances in articles' posted at this URL: <https://echa.europa.eu/guidance-documents/guidance-on-reach>

## Compatible Parts

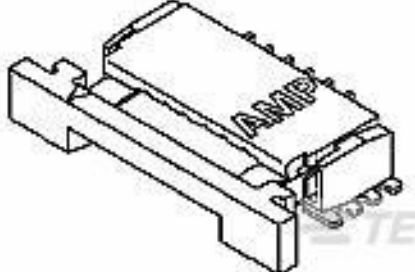


TE Part # 1571600-1  
SLIDE SWITCH, DP5T 0.5 Amp

## Customers Also Bought



TE Part #4-2176070-8  
3521 910R 1% 2W



TE Part #1-84952-4  
1MM FPC HORZ.BTTM CONT.ASS.14P



TE Part #5-104666-3  
40 SYSTEM 50 HDR DRST SHRD SN



TE Part #1926736-3  
MiniPAK HDL, 25s10p, RA Plug,



TE Part #1838275-3  
M12 Fld Ser CONN. Male Pin Sldr



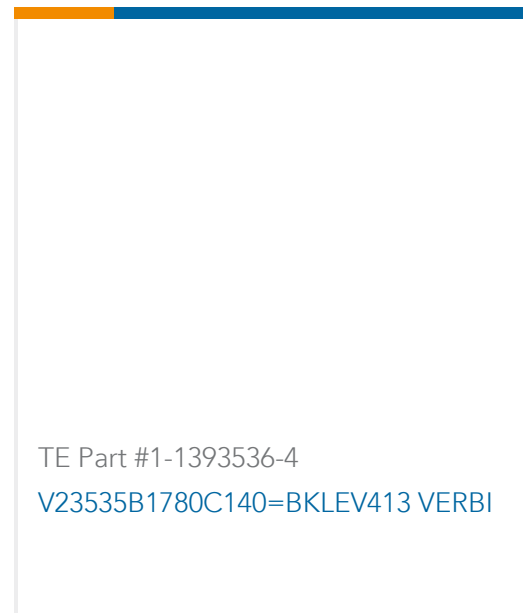
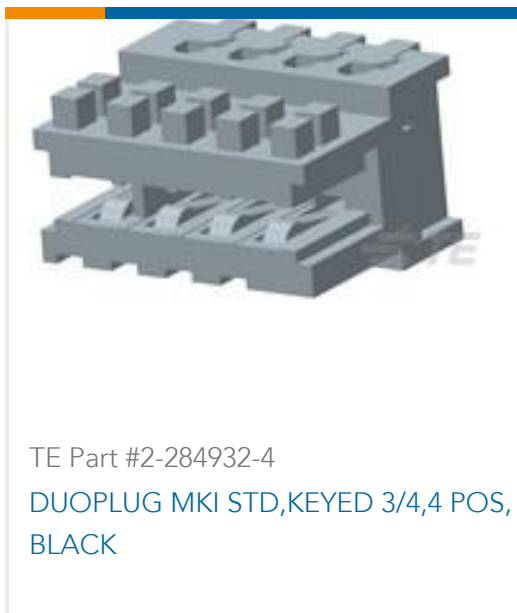
TE Part #6-1624108-8  
3640 0402 15nH 2% 1K RL



TE Part #2324697-6  
PUSH GRIP CONNECTOR 6P



TE Part #2176339-7  
CRGCO 0603 33R 1%



## Documents

### Product Drawings

[SLIDE SWITCH,SPDT,Right Angle](#)

English

### CAD Files

[3D PDF](#)

3D

Customer View Model

[ENG\\_CVM\\_CVM\\_1825232-1\\_B\\_c-1825232-1-b.2d\\_dxf.zip](#)

English

Customer View Model

[ENG\\_CVM\\_CVM\\_1825232-1\\_B\\_c-1825232-1-b.3d\\_igs.zip](#)

English

Customer View Model

[ENG\\_CVM\\_CVM\\_1825232-1\\_B\\_c-1825232-1-b.3d\\_stp.zip](#)

English

By downloading the CAD file I accept and agree to the [Terms and Conditions](#) of use.

### Datasheets & Catalog Pages

[SWITCHES\\_CORE\\_PROGRAM\\_CATALOG](#)

English