

1825097-4 ✓ ACTIVE

[Alcoswitch](#) | [Alcoswitch TPB](#)

TE Internal #: 1825097-4

Alcoswitch TPB, Push Button Switches, Single Pole - Single Throw Configuration (Pole-Throw), Switch, Single Actuator, Extended Actuator Profile

[View on TE.com >](#)



Relays, Contactors & Switches > Switches > Push Button Switches



Configuration (Pole-Throw): **Single Pole - Single Throw**

Push Button Switch Product Type: **Switch**

Number of Actuators: **Single**

Actuator Profile: **Extended**

Bushing Style: **Unthreaded**

## Features

### Product Type Features

Switch Type	Pushbutton
Dust Proof	No
Push Button Switch Product Type	Switch
Illuminated	No
Actuator Style	Round

### Configuration Features

ESD Grounding Terminal	Without
Ganged	No
Configuration (Pole-Throw)	Single Pole - Single Throw
Number of Actuators	Single
Snap Action	Without
Support Bracket	Without
Tactile	Yes
Operating Function	Off (On)

### Electrical Characteristics

Push Button Switch Voltage Rating	20 VDC
-----------------------------------	--------

### Body Features

Seal Type	Terminal Seal (Epoxy)
-----------	-----------------------



Actuator Force	50 – 400 g[1.77 – 14.12 oz]
Case Material	Thermoplastic (LCP)
Actuator Material	Thermoplastic
Actuator Profile	Extended
Bushing Style	Unthreaded
Actuator Color	Red

### Contact Features

Contact Base Material	Copper Alloy
Push Button Switch Contact Current Rating	.4 A
Switch Contact Plating Material	Gold

### Termination Features

Termination Type	Printed Circuit
------------------	-----------------

### Mechanical Attachment

Mounting Angle	Right Angle
Push Button Switch Mounting Type	Through Hole

### Housing Features

Low Profile	No
Process Sealed	No

### Dimensions

Actuator Length	3.4 mm[.134 in]
Button Width	3.81 mm[.15 in]

### Usage Conditions

Temperature Rating	Standard
--------------------	----------

### Packaging Features

Packaging Method	Bulk
------------------	------

## Product Compliance

[For compliance documentation, visit the product page on TE.com>](#)

EU RoHS Directive 2011/65/EU	Compliant with Exemptions
EU ELV Directive 2000/53/EC	Not Yet Reviewed
China RoHS 2 Directive MIIT Order No 32, 2016	Restricted Materials Above Threshold
EU REACH Regulation (EC) No. 1907/2006	



Current ECHA Candidate List: JAN 2022  
(223)

Candidate List Declared Against: JUL 2021  
(219)

SVHC > Threshold:  
Pb (2.59% in Component)

**Article Safe Usage Statements:**  
Do not eat, drink or smoke when using this product. Wash thoroughly after handling. Recycle if possible and dispose of the article by following all applicable governmental regulations relevant to your geographic location.

Halogen Content

Not Yet Reviewed for halogen content

Solder Process Capability

Wave solder capable to 265°C

Product Compliance Disclaimer

This information is provided based on reasonable inquiry of our suppliers and represents our current actual knowledge based on the information they provided. This information is subject to change. The part numbers that TE has identified as EU RoHS compliant have a maximum concentration of 0.1% by weight in homogenous materials for lead, hexavalent chromium, mercury, PBB, PBDE, DBP, BBP, DEHP, DIBP, and 0.01% for cadmium, or qualify for an exemption to these limits as defined in the Annexes of Directive 2011/65/EU (RoHS2). Finished electrical and electronic equipment products will be CE marked as required by Directive 2011/65/EU. Components may not be CE marked. Additionally, the part numbers that TE has identified as EU ELV compliant have a maximum concentration of 0.1% by weight in homogenous materials for lead, hexavalent chromium, and mercury, and 0.01% for cadmium, or qualify for an exemption to these limits as defined in the Annexes of Directive 2000/53/EC (ELV). Regarding the REACH Regulation, the information TE provides on SVHC in articles for this part number is based on the latest European Chemicals Agency (ECHA) 'Guidance on requirements for substances in articles' posted at this URL: <https://echa.europa.eu/guidance-documents/guidance-on-reach>

## Compatible Parts



TE Part # 1825095-1  
TP11CGPC004



TE Part # 1825095-2  
TP11CGPC204



TE Part # 1825095-3  
TP11CGRA004



TE Part # 7-1437571-7  
TPB11FGVRA0=TINY PUSHBUTTON



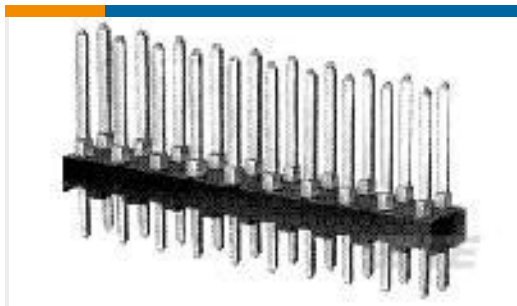
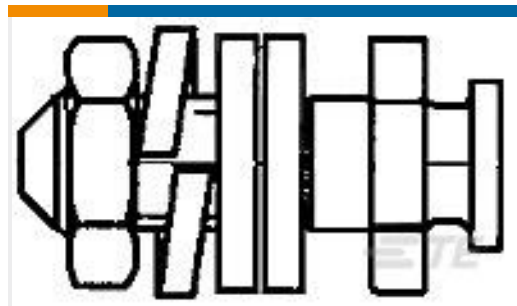
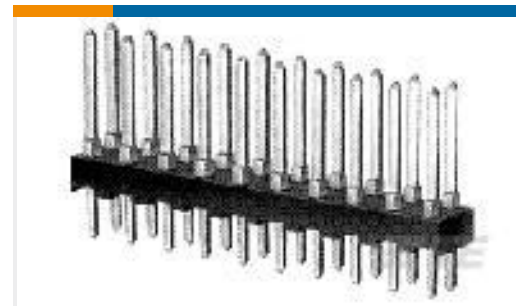
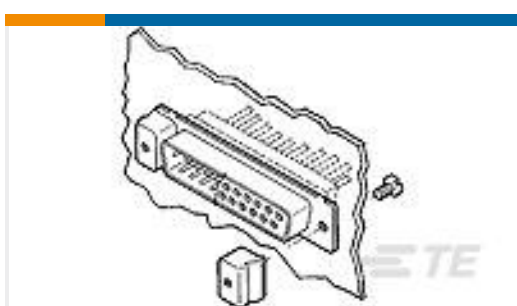
TE Part # 7-1437571-6  
TPB11FGRAES6=PUSH BUTTON SP SW

Also in the Series | [Alcoswitch TPB](#)



Push Button Switches(19)

## Customers Also Bought

TE Part #5208009-1  
HD-20 PLUG 37P VERTTE Part #5748952-1  
AMP III PLUG 15P RA 590 FFSCRLKTE Part #2-1825011-4  
ASF42RG04=4PDT AUTOSLIDETE Part #6-146276-6  
16 MODII HDR SRST B/A .100CLTE Part #87227-6  
12 MODII HDR DRST UNSHRD .100TE Part #5206514-4  
SLIDING LOCK POST KIT CLEAR Z1TE Part #3-87227-0  
60 MODII HDR DRST UNSHRD .100TE Part #NB09952001  
ATUM-19/6-0-STKTE Part #208101-9  
LATCH BLOCK SZ 1-4 (BULK PAK)TE Part #1055690-1  
2367 5006 54 OSMT PCB PLUG

## Documents

### Product Drawings

[TPB11CGRA204](#)

English

### CAD Files

[3D PDF](#)

3D

### Customer View Model

[ENG\\_CVM\\_CVM\\_1825097-4\\_A.2d\\_dxf.zip](#)



English

**Customer View Model**

[ENG\\_CVM\\_CVM\\_1825097-4\\_A.3d\\_igs.zip](#)

English

**Customer View Model**

[ENG\\_CVM\\_CVM\\_1825097-4\\_A.3d\\_stp.zip](#)

English

By downloading the CAD file I accept and agree to the [Terms and Conditions](#) of use.

**Datasheets & Catalog Pages**

[SWITCHES\\_CORE\\_PROGRAM\\_CATALOG](#)

English