



Alcoswitch

TE Internal #: 1825095-6

Push Button Switches, Single Pole - Double Throw Configuration (Pole-Throw), Switch, Single Actuator, Extended Actuator Profile, Unthreaded, Momentary

[View on TE.com >](#)

Relays, Contactors & Switches > Switches > Push Button Switches



Configuration (Pole-Throw): **Single Pole - Double Throw**

Push Button Switch Product Type: **Switch**

Number of Actuators: **Single**

Actuator Profile: **Extended**

Bushing Style: **Unthreaded**

Features

Product Type Features

Switch Type	Pushbutton
Dust Proof	No
Push Button Switch Product Type	Switch
Illuminated	No
Actuator Style	Square

Configuration Features

ESD Grounding Terminal	Without
Ganged	No
Configuration (Pole-Throw)	Single Pole - Double Throw
Number of Actuators	Single
Snap Action	Without
Support Bracket	Without
Tactile	No
Operating Function	Momentary

Electrical Characteristics

Push Button Switch Voltage Rating	20 VDC
-----------------------------------	--------

Body Features

Seal Type	Terminal Seal (Epoxy)
-----------	-----------------------



Actuator Force	50 – 400 g[1.77 – 14.12 oz]
Case Material	Polyester
Actuator Material	Thermoplastic
Actuator Profile	Extended
Bushing Style	Unthreaded
Actuator Color	Black

Contact Features

Contact Base Material	Copper Alloy
Push Button Switch Contact Current Rating	.4 A
Switch Contact Plating Material	Gold over Nickel

Termination Features

Termination Type	Printed Circuit
------------------	-----------------

Mechanical Attachment

Mounting Angle	Vertical
Push Button Switch Mounting Type	Through Hole

Housing Features

Low Profile	No
Process Sealed	No

Dimensions

Actuator Length	3.28 mm[.129 in]
Button Width	3.81 mm[.15 in]

Usage Conditions

Temperature Rating	High
--------------------	------

Packaging Features

Packaging Method	Bulk
------------------	------

Product Compliance

[For compliance documentation, visit the product page on TE.com>](#)

EU RoHS Directive 2011/65/EU	Compliant
EU ELV Directive 2000/53/EC	Compliant
China RoHS 2 Directive MIIT Order No 32, 2016	No Restricted Materials Above Threshold
EU REACH Regulation (EC) No. 1907/2006	



Current ECHA Candidate List: JAN 2022
 (223)
 Candidate List Declared Against: JAN 2021
 (211)
 SVHC > Threshold:
 Not Yet Reviewed

Halogen Content Not Yet Reviewed for halogen content

Solder Process Capability Wave solder capable to 265°C

Product Compliance Disclaimer

This information is provided based on reasonable inquiry of our suppliers and represents our current actual knowledge based on the information they provided. This information is subject to change. The part numbers that TE has identified as EU RoHS compliant have a maximum concentration of 0.1% by weight in homogenous materials for lead, hexavalent chromium, mercury, PBB, PBDE, DBP, BBP, DEHP, DIBP, and 0.01% for cadmium, or qualify for an exemption to these limits as defined in the Annexes of Directive 2011/65/EU (RoHS2). Finished electrical and electronic equipment products will be CE marked as required by Directive 2011/65/EU. Components may not be CE marked. Additionally, the part numbers that TE has identified as EU ELV compliant have a maximum concentration of 0.1% by weight in homogenous materials for lead, hexavalent chromium, and mercury, and 0.01% for cadmium, or qualify for an exemption to these limits as defined in the Annexes of Directive 2000/53/EC (ELV). Regarding the REACH Regulation, the information TE provides on SVHC in articles for this part number is based on the latest European Chemicals Agency (ECHA) 'Guidance on requirements for substances in articles' posted at this URL: <https://echa.europa.eu/guidance-documents/guidance-on-reach>

Compatible Parts



TE Part # 1825095-1
 TP11CGPC004



TE Part # 1825095-2
 TP11CGPC204



TE Part # 1825095-3
 TP11CGRA004

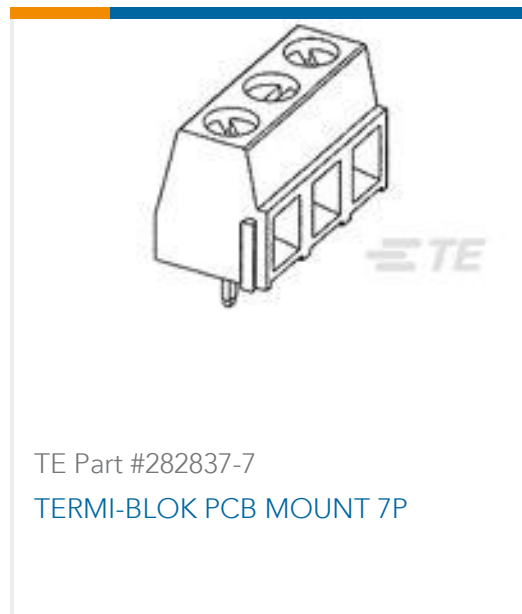
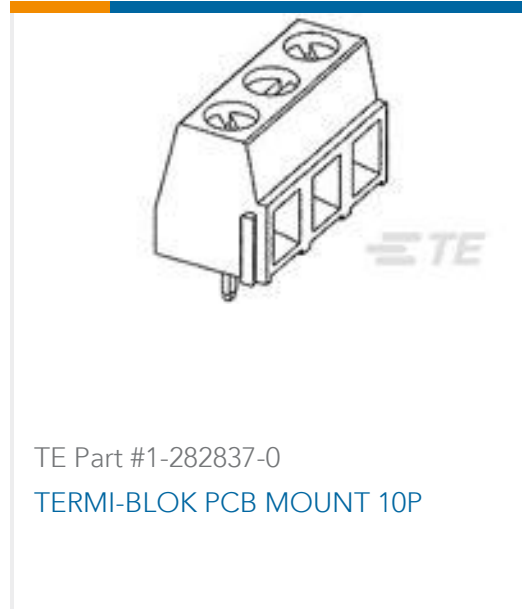
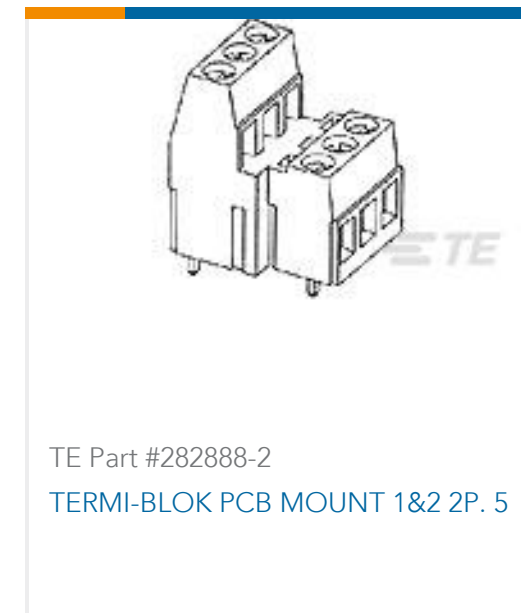


TE Part # 7-1437571-7
 TPB11FGVRA0=TINY PUSHBUTTON



TE Part # 1437571-4
 TP11CGPC0=SWITCH P/B N/O BLACK

Customers Also Bought



Documents

Product Drawings

[TP11FGPC004](#)

English

Datasheets & Catalog Pages

[TP Series Data Sheet](#)

English