

1825057-6 ✓ ACTIVE

Alcoswitch | Alcoswitch DIP, Alcoswitch DIP ADE

TE Internal #: 1825057-6

Alcoswitch DIP, DIP & SIP Switches, Switch, Gold Flash, Black Housing, Polyphenylene Sulfide (PPS), Auto-Insertable, 7 Switch, -30 – 85 °C, DIP

[View on TE.com >](#)



Relays, Contactors & Switches > Switches > DIP & SIP Switches



DIP & SIP Switch Product Type: **Switch**

DIP & SIP Switch Contact Mating Area Plating Material: **Gold Flash**

DIP & SIP Switch Housing Color: **Black**

DIP & SIP Switch Housing Material: **Polyphenylene Sulfide (PPS)**

Auto-Insertable: **Yes**

Features

Product Type Features

DIP & SIP Switch Product Type	Switch
Sealed DIP & SIP Switch	No
DIP & SIP Switch Type	DIP
Actuator Style	Extended, Slide

Configuration Features

Number of Positions	7
Number of Switches	7
Configuration (Pole-Throw)	Single Pole - Single Throw

Electrical Characteristics

DIP & SIP Switch Voltage Rating	5 VDC
---------------------------------	-------

Body Features

Actuator Color	White
----------------	-------

Contact Features

Solder Tail Contact Plating	Gold over Nickel
	1.2 µin
DIP & SIP Switch Contact Mating Area Plating Material	Gold Flash
Auto-Insertable	Yes
DIP & SIP Switch Contact Current Rating	1 A



Contact Base Material	Copper Alloy
-----------------------	--------------

Termination Features

Termination Post Length	4 mm[.157 in]
-------------------------	---------------

Mechanical Attachment

Mounting Angle	Vertical
----------------	----------

DIP & SIP Switch Mounting Type	Through Hole
--------------------------------	--------------

Housing Features

DIP & SIP Switch Housing Color	Black
--------------------------------	-------

DIP & SIP Switch Housing Material	Polyphenylene Sulfide (PPS)
-----------------------------------	-----------------------------

DIP & SIP Switch Centerline	2.54 mm[.1 in]
-----------------------------	----------------

Dimensions

Height	3.5 mm[.138 in]
--------	-----------------

Length	19.8 mm[.778 in]
--------	------------------

Usage Conditions

Operating Temperature Range	-30 – 85 °C
-----------------------------	-------------

Industry Standards

UL Flammability Rating	UL 94V-0
------------------------	----------

Packaging Features

Packaging Method	Tube
------------------	------

Packaging Quantity	20
--------------------	----

Product Compliance

[For compliance documentation, visit the product page on TE.com>](#)

EU RoHS Directive 2011/65/EU	Compliant
------------------------------	-----------

EU ELV Directive 2000/53/EC	Compliant
-----------------------------	-----------

China RoHS 2 Directive MIIT Order No 32, 2016	No Restricted Materials Above Threshold
---	---

EU REACH Regulation (EC) No. 1907/2006	Current ECHA Candidate List: JAN 2022 (223) Candidate List Declared Against: JAN 2021 (211) SVHC > Threshold: Not Yet Reviewed
--	---

Halogen Content	Not Low Halogen - contains Br or Cl > 900 ppm.
-----------------	--

Solder Process Capability

Wave solder capable to 265°C

Product Compliance Disclaimer

This information is provided based on reasonable inquiry of our suppliers and represents our current actual knowledge based on the information they provided. This information is subject to change. The part numbers that TE has identified as EU RoHS compliant have a maximum concentration of 0.1% by weight in homogenous materials for lead, hexavalent chromium, mercury, PBB, PBDE, DBP, BBP, DEHP, DIBP, and 0.01% for cadmium, or qualify for an exemption to these limits as defined in the Annexes of Directive 2011/65/EU (RoHS2). Finished electrical and electronic equipment products will be CE marked as required by Directive 2011/65/EU. Components may not be CE marked. Additionally, the part numbers that TE has identified as EU ELV compliant have a maximum concentration of 0.1% by weight in homogenous materials for lead, hexavalent chromium, and mercury, and 0.01% for cadmium, or qualify for an exemption to these limits as defined in the Annexes of Directive 2000/53/EC (ELV). Regarding the REACH Regulation, the information TE provides on SVHC in articles for this part number is based on the latest European Chemicals Agency (ECHA) 'Guidance on requirements for substances in articles' posted at this URL: <https://echa.europa.eu/guidance-documents/guidance-on-reach>

Compatible Parts



TE Part # 1825057-7
ADE0804=DIP SWITCH,EXT,THRU/HL



TE Part # 1825057-1
ADE0204=DIP SWITCH,EXT,THRU/HL



TE Part # 1825057-4
ADE0504=DIP SWITCH,EXT,THRU/HL



TE Part # 1825057-5
ADE0604=DIP SWITCH,EXT,THRU/HL




TE Part # 1825057-3
ADE0404=DIP SWITCH,EXT,THRU/HL


Also in the Series | Alcoswitch DIP



DIP & SIP Switches(291)



Rotary Switches(25)



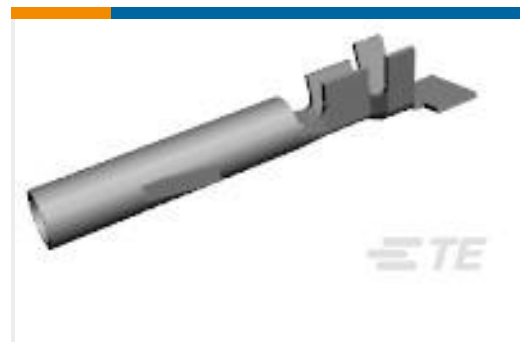
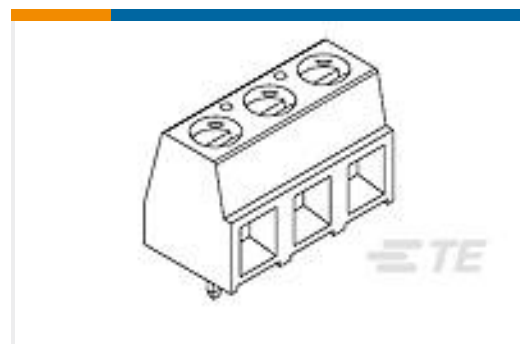
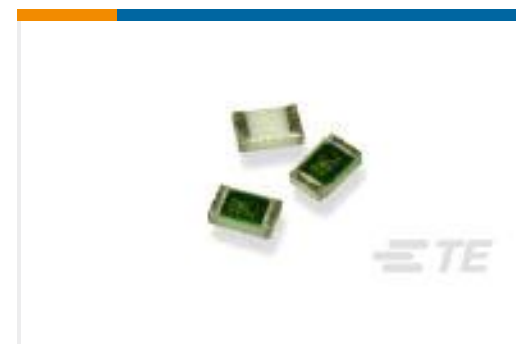
Switch Seals & Accessories(1)

Also in the Series | Alcoswitch DIP ADE



DIP & SIP Switches(18)

Customers Also Bought

TE Part #1676334-2
RN 0805 402R 0.1% 10PPM 1KRLTE Part #770673-1
UMNL SOK 30-26 PTPBR L/PTE Part #1052422-1
2052 0000 02,SMA FM JACK RECPTTE Part #4-1625868-4
RP 2A 0.25W 15R 0.1% 25PPM 1K RLTE Part #1676423-2
RN 0805 732R 0.1% 10PPM 1KRLTE Part #1776118-3
3P TERMI-BLOK,PCB,HIGH TEMPTE Part #1-2176327-7
CRGP 0805 220R 1%TE Part #9-1614884-7
CPF 0805 51K 0.1% 25PPM 1K RL

Documents

Product Drawings

[ADE0704=DIP SWITCH,EXT,THRU/HL](#)

English

CAD Files

Customer View Model

[ENG_CVM_CVM_1825057-6_O.2d_dxf.zip](#)

English

[3D PDF](#)

3D

Customer View Model

[ENG_CVM_CVM_1825057-6_O.3d_igs.zip](#)

English

Customer View Model

[ENG_CVM_CVM_1825057-6_O.3d_stp.zip](#)

English

By downloading the CAD file I accept and agree to the [Terms and Conditions](#) of use.



Datasheets & Catalog Pages

SWITCHES_CORE_PROGRAM_CATALOG

English