

1825008-4 ✓ ACTIVE

Alcoswitch | Alcoswitch DIP, Alcoswitch Rotary DIP DRD

TE Internal #: 1825008-4

Alcoswitch DIP, Rotary Switches, 16 Position, Flush Actuator Style, Rotary, Rotary DIP, 16 Switch, Thermoplastic, .4 A, Hexadecimal Code Type, 20 VAC

[View on TE.com >](#)



Relays, Contactors & Switches > Switches > Rotary Switches



Number of Rotary Switch Positions: 16

Actuator Style: Flush

Switch Style: Rotary

Rotary Switch Type: Rotary DIP

Number of Switches: 16

Features

Product Type Features

Removable Tape Seal	Without
Product Type	Switch
Illuminated	No
Actuator Style	Flush
Switch Style	Rotary
Rotary Switch Type	Rotary DIP
Sealed Rotary Switch	No
Code Type	Hexadecimal

Configuration Features

Number of Rotary Switch Positions	16
Number of Switches	16

Electrical Characteristics

Rotary Switch Voltage Rating	20 VAC
------------------------------	--------

Contact Features

Solder Tail Contact Plating	Gold Flash over Nickel
Auto-Insertable	Yes
Rotary Switch Contact Current Rating	.4 A
Rotary Switch Contact Mating Area Plating Material	Gold Flash



Contact Base Material	Copper Alloy
-----------------------	--------------

Termination Features

Termination Style	Printed Circuit Board
-------------------	-----------------------

Mechanical Attachment

Rotary Switch Mounting Type	Through Hole
-----------------------------	--------------

Rotary Switch Mounting Angle	Right Angle
------------------------------	-------------

Housing Features

Centerline	2.54 mm[.1 in]
------------	----------------

Rotary Switch Housing Material	Thermoplastic
--------------------------------	---------------

Usage Conditions

Oil-Tight	No
-----------	----

Industry Standards

UL Flammability Rating	UL 94V-0
------------------------	----------

Packaging Features

Packaging Method	Tube
------------------	------

Product Compliance

[For compliance documentation, visit the product page on TE.com>](#)

EU RoHS Directive 2011/65/EU	Compliant
------------------------------	-----------

EU ELV Directive 2000/53/EC	Compliant
-----------------------------	-----------

China RoHS 2 Directive MIIT Order No 32, 2016	No Restricted Materials Above Threshold
---	---

EU REACH Regulation (EC) No. 1907/2006	Current ECHA Candidate List: JAN 2022 (223) Candidate List Declared Against: JAN 2022 (223) Does not contain REACH SVHC
--	---

Halogen Content	Not Low Halogen - contains Br or Cl > 900 ppm.
-----------------	--

Solder Process Capability	Wave solder capable to 265°C
---------------------------	------------------------------

Product Compliance Disclaimer

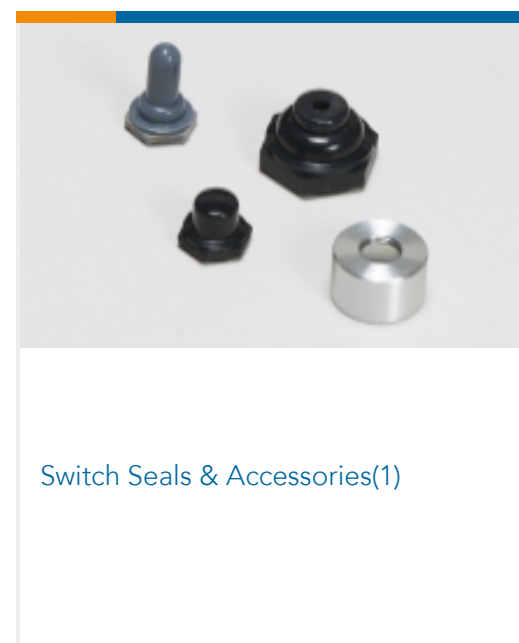
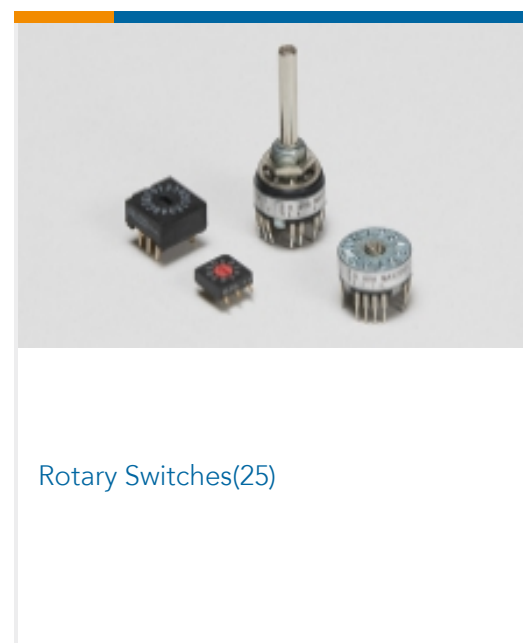
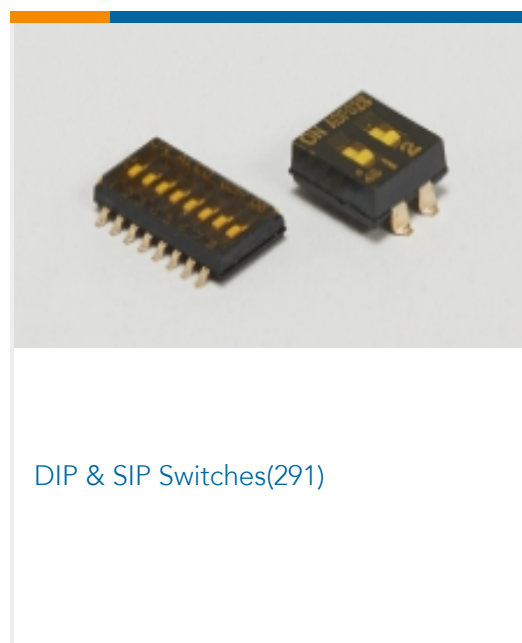
This information is provided based on reasonable inquiry of our suppliers and represents our current actual knowledge based on the information they provided. This information is subject to change. The part numbers that TE has identified as EU RoHS compliant have a maximum concentration of 0.1% by weight in homogenous materials for lead, hexavalent chromium, mercury, PBB, PBDE, DBP, BBP, DEHP, DIBP, and 0.01% for cadmium, or qualify for an exemption to these limits as defined in the Annexes of Directive 2011/65/EU (RoHS2). Finished electrical and electronic equipment products will be CE marked as required by Directive 2011/65/EU. Components may not be CE marked. Additionally, the part

numbers that TE has identified as EU ELV compliant have a maximum concentration of 0.1% by weight in homogenous materials for lead, hexavalent chromium, and mercury, and 0.01% for cadmium, or qualify for an exemption to these limits as defined in the Annexes of Directive 2000/53/EC (ELV). Regarding the REACH Regulation, the information TE provides on SVHC in articles for this part number is based on the latest European Chemicals Agency (ECHA) 'Guidance on requirements for substances in articles' posted at this URL: <https://echa.europa.eu/guidance-documents/guidance-on-reach>

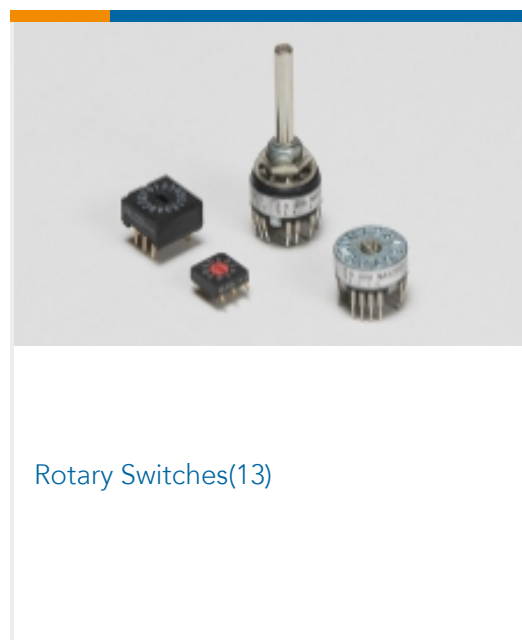
Compatible Parts



Also in the Series | Alcoswitch DIP



Also in the Series | Alcoswitch Rotary DIP DRD



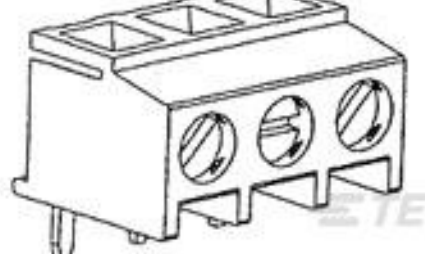
Customers Also Bought




TE Part #6-1393788-8
V23079E1201B301



TE Part #826470-4
2X4P MOD II SHROUDED HEADER,
RT ANG.



TE Part #284093-4
TERMI-BLOK PCB MOUNT 90, 5,0MM



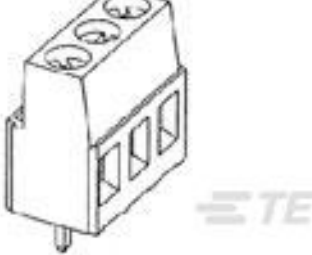
TE Part #1-826470-3
2X13P MOD II SHROUDED HEADER,
RT ANG.



TE Part #826470-9
2X9P MOD II SHROUDED HEADER,
RT ANG.



TE Part #6116615-6
IMJ,1X1,TOP PNL GRD,LED(Y/G)SN



TE Part #1776491-2
Str Side Wire Entry, 5.0mm, HT, Blue



TE Part #6474619-1



TE Part #6474624-1

Documents

Product Drawings

[DRD16RAE04=Rot Dip,R/A](#)

English

CAD Files

Customer View Model

[ENG_CVM_CVM_1825008-4_A.2d_dxf.zip](#)

English

3D PDF

3D

Customer View Model

[ENG_CVM_CVM_1825008-4_A.3d_igs.zip](#)

English

Customer View Model

[ENG_CVM_CVM_1825008-4_A.3d_stp.zip](#)

English

By downloading the CAD file I accept and agree to the [Terms and Conditions](#) of use.

Product Environmental Compliance

1825008-4

Alcoswitch DIP, Rotary Switches, 16 Position, Flush Actuator Style, Rotary, Rotary DIP,
16 Switch, Thermoplastic, .4 A, Hexadecimal Code Type, 20 VAC



[MD_1825008-4_06222016853_dmtec](#)

English

[MD_1825008-4_06222016853_dmtec](#)

English