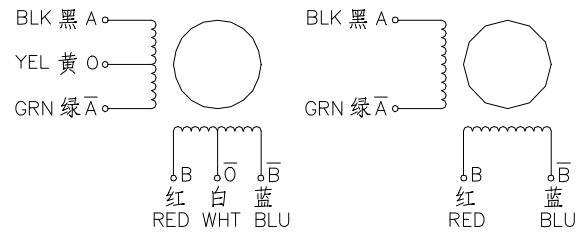


2 Phase Hybrid Stepper Motor 17H2A series-Size 42mm(1.8 degree)


Wiring Diagram:


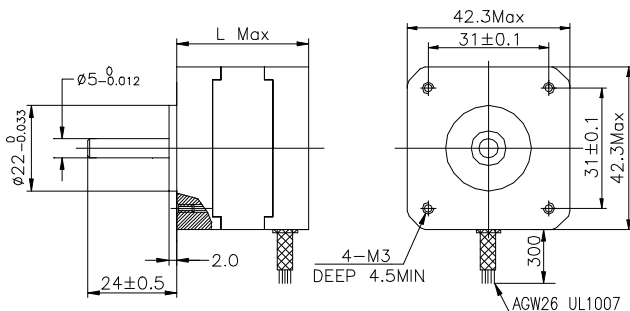
UNI-POLAR(6 LEADS)

BI-POLAR(4LEADS)

Electrical Specifications:

Series Model	Old P/N	Motor Length (mm)	Rated Current (A)	Phase Resistance (ohm)	Phase Inductance (mH)	Holding Torque (N.cm)	Detent Torque (N.cm Max)	Rotor Inertia (g.cm ²)	Lead Wire (No.)	Motor Weight (g)
17H2A2406	17HS2408	28	0.6	8	10	12	1.6	34	4	150
17H2A3413	17HS3401	34	1.3	2.4	2.8	28	1.6	34	4	220
17H2A3417	17HS3410	34	1.7	1.2	1.8	28	1.6	34	4	220
17H2A3404	17HS3430	34	0.4	30	35	28	1.6	34	4	220
17H2A3604	17HS3630	34	0.4	30	18	21	1.6	34	6	220
17H2A4417	17HS4401	40	1.7	1.5	2.8	40	2.2	54	4	280
17H2A4413	17HS4402	40	1.3	2.5	5.0	40	2.2	54	4	280
17H2A4612	17HS4612	40	1.2	4.1	3.5	28	2.2	54	6	280
17H2A4604	17HS4630	40	0.4	30	28	28	2.2	54	6	280
17H2A8417	17HS8401	48	1.7	1.8	3.2	52	2.6	68	4	350
17H2A8413	17HS8402	48	1.3	3.2	5.5	52	2.6	68	4	350
17H2A8423	17HS8403	48	2.3	1.2	1.6	52	2.6	68	4	350
17H2A8604	17HS8630	48	0.4	30	38	34	2.6	68	6	350
17H2A9612	17HS9612	58	1.2	4.5	5.5	54	3.2	75	6	450
17H2A9425	17HS9425	58	2.5	1.7	2.7	76	3.2	75	4	450

*Note: We can manufacture products according to customer's requirements.

Dimensions: unit=mm

Motor Length:

Model	Length
17HS2XXX	28 mm
17HS3XXX	34 mm
17HS4XXX	40 mm
17HS8XXX	48 mm