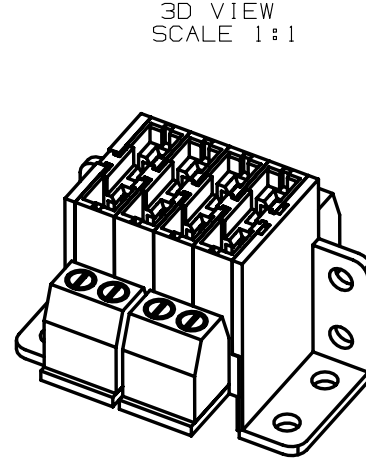
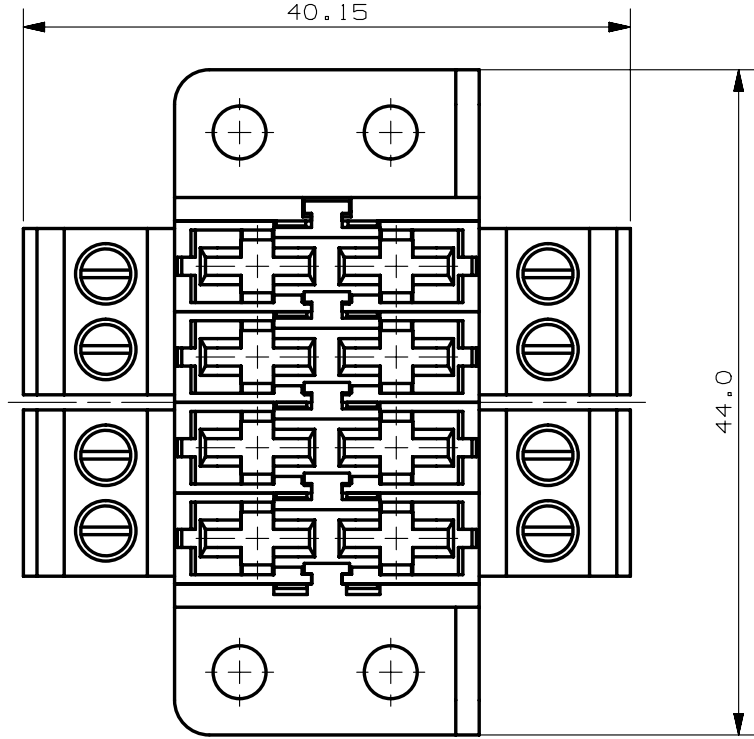


Art.Nr.	Description	NOTE
178.6152.0042	CAR FUSEHOLDER FOURFOLD	-



METRIC
ASSEMBLY

UNLESS OTHERWISE SPECIFIED, DIMENSIONS ARE IN MILLIMETERS. DIMENSIONS IN BRACKETS [] ARE INCHES

UNLESS OTHERWISE SPECIFIED, DIMENSIONS DO NOT INCLUDE PLATING.



DENOTES CRITICAL CHARACTERISTICS.

CPK

DENOTES CPK DIMENSIONS, -MINIMUM CPK VALUE



DENOTES A CHARACTERISTIC THAT PROVIDES AN INDICATION OF PROCESS PERFORMANCE. PROCEDURE FOR MEASUREMENT AND TRACKING TO BE DEFINED IN LITTELFUSE INSPECTION INSTRUCTIONS

CP

DENOTES CP DIMENSIONS, -MINIMUM CP VALUE MUST BE WITHIN THE DIMENSIONAL LIMITATIONS SHOWN ON DRAWING AND INITIALLY LOCATED TO ALLOW FOR MAXIMUM TOOL LIFE

NO	COMPONENT NO	DESCRIPTION	QTY/M	U/M
BILL OF MATERIAL				

LTR	DATE	REVISION	CHK	APD
A	10/04/99	RELEASE (ULB)		
B	06/17/04	AEND.NR>478/292 (HOEP)		
C	07/30/12	505821ECA - REDRAW (PJ)		

COPIES TO		MATL SPEC	
1	9 18	FINISH	-
2	10 19		
3	12 20		
4	13 21	DRW	Pascal Jung
5	14 23	CHK	
6	15 33	DATE	07/30/12
7	16 43	DATE	
8	17 53	DATE	
TOLERANCES UNLESS OTHERWISE SPECIFIED (REF. ISO 2768-mk)		SCALE	2:1
DIMENSION	0.5 - 3	UP TO	30
	3 - 6	OVER	120
	6 - 120	UP TO	400
TOLERANCE	+0.1	UP TO	30
	+0.1	OVER	120
	+0.2	UP TO	400
	+0.3	OVER	120
	+0.5	UP TO	400
		OVER	120
3RD ANGLE PROJECTION		FINISH	GOOD WT
TITLES		GRAMS/PIECE	
CAR FUSEHOLDER			
FOURFOLD COMBINATION			
LITTELFUSE			
CHICAGO, USA 773-628-1000			
REVISION DRWG. NO.			
C			
178.6152.0040			