

1761681-7 ✓ ACTIVE



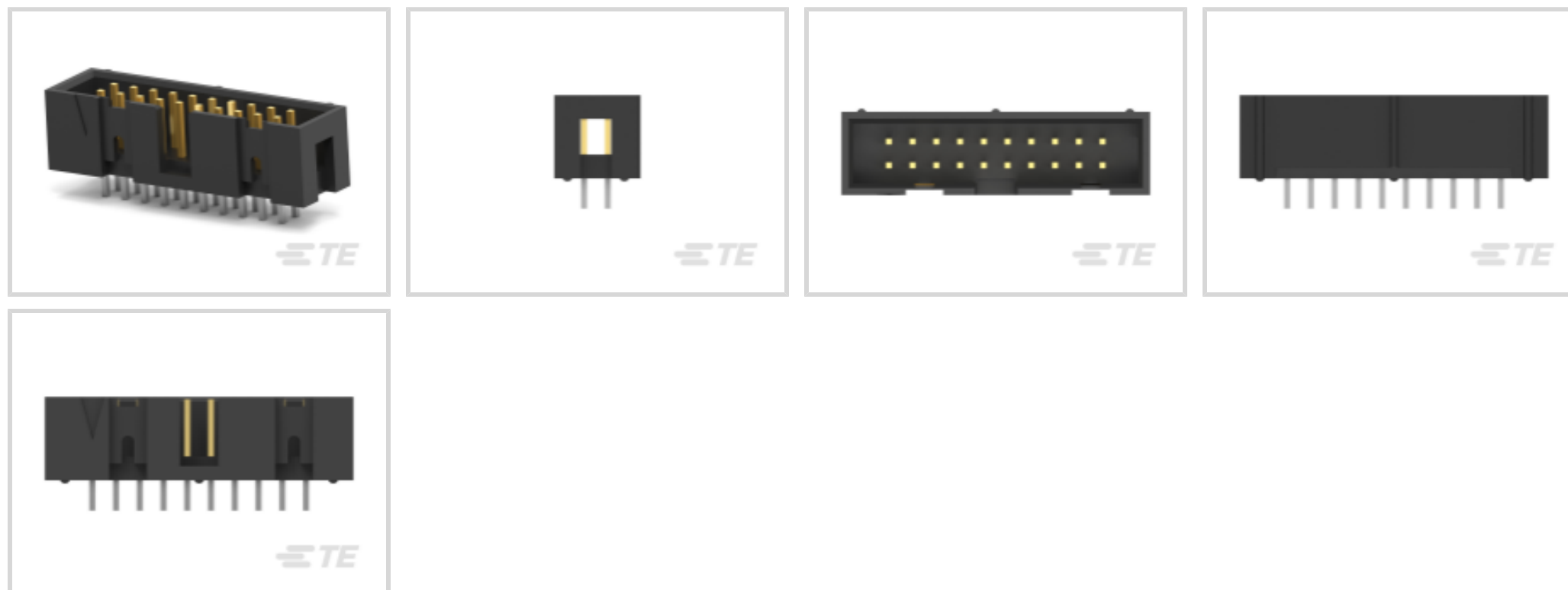
## AMP-LATCH

TE Internal #: 1761681-7

Ribbon Cable Connectors, Wire-to-Board, 20 Position, .1 in [2.54 mm] Centerline, Vertical, Through Hole - Solder, 2 Row, Plug, Low Profile

[View on TE.com >](#)

Connectors > PCB Connectors > Wire-to-Board Connectors > FFC, FPC & Ribbon Connectors > Ribbon Cable Connectors



Connector System: **Wire-to-Board**

Number of Positions: **20**

Centerline (Pitch): **2.54 mm [ .1 in ]**

PCB Mount Retention: **Without**

PCB Mount Orientation: **Vertical**

## Features

### Product Type Features

|                                    |                       |
|------------------------------------|-----------------------|
| Connector Type                     | Header                |
| Ribbon Cable Connector Header Type | Pin Header            |
| Connector Product Type             | Connector Assembly    |
| Connector System                   | Wire-to-Board         |
| Connector & Housing Type           | Plug                  |
| Connector & Contact Terminates To  | Printed Circuit Board |

### Configuration Features

|                       |          |
|-----------------------|----------|
| Number of Positions   | 20       |
| PCB Mount Orientation | Vertical |
| Number of Rows        | 2        |

### Electrical Characteristics

|                       |                 |
|-----------------------|-----------------|
| Insulation Resistance | 5000 M $\Omega$ |
| Operating Voltage     | 250 VAC         |

### Body Features



|                   |      |
|-------------------|------|
| Daisy Chain       | With |
| Connector Profile | Low  |

### Contact Features

|   |                            |
|---|----------------------------|
| Mating Square Post Dimension                            | .64 mm[.025 in]            |
| PCB Contact Termination Area Plating Material Thickness | 2.54 $\mu$ m[100 $\mu$ in] |
| Contact Type  | Pin                        |
|   | 15 $\mu$ in                |
| Contact Mating Area Plating Material                    | Gold                       |
| Contact Shape & Form                                    | Square                     |
| Contact Underplating Material                           | Nickel                     |
| PCB Contact Termination Area Plating Material           | Tin                        |
| Contact Base Material                                   | Phosphor Bronze            |
| Contact Current Rating (Max)                            | 1 A                        |

### Termination Features

|   |                       |
|---|-----------------------|
| Square Termination Post & Tail Dimension    | .64 mm[.025 in]       |
| Termination Post & Tail Length              | 2.9 mm[.114 in]       |
| Termination Method to Printed Circuit Board | Through Hole - Solder |

### Mechanical Attachment

|                         |             |
|-------------------------|-------------|
| Mating Alignment        | With        |
| PCB Mount Alignment     | Without     |
| Panel Mount Feature     | Without     |
| PCB Mount Retention     | Without     |
| Mating Alignment Type   | Center      |
| Mating Retention        | Without     |
| Connector Mounting Type | Board Mount |

### Housing Features

|                       |                |
|-----------------------|----------------|
| Mating Entry Location | Top            |
| Housing Material      | PCT            |
| Housing Color         | Black          |
| Centerline (Pitch)    | 2.54 mm[.1 in] |

### Dimensions

|                        |                 |
|------------------------|-----------------|
| Shrouded End Dimension | 3.81 mm[.15 in] |
|------------------------|-----------------|



|                  |                  |
|------------------|------------------|
| Connector Length | 33.02 mm[1.3 in] |
|------------------|------------------|

|                  |                 |
|------------------|-----------------|
| Connector Height | 8.89 mm[.35 in] |
|------------------|-----------------|

|                    |                |
|--------------------|----------------|
| Row-to-Row Spacing | 2.54 mm[.1 in] |
|--------------------|----------------|

### Usage Conditions

|                            |      |
|----------------------------|------|
| Housing Temperature Rating | High |
|----------------------------|------|

|                             |                            |
|-----------------------------|----------------------------|
| Operating Temperature Range | -65 – 105 °C[-85 – 221 °F] |
|-----------------------------|----------------------------|

### Operation/Application

|                     |        |
|---------------------|--------|
| Circuit Application | Signal |
|---------------------|--------|

### Industry Standards

|                        |          |
|------------------------|----------|
| UL Flammability Rating | UL 94V-0 |
|------------------------|----------|

### Packaging Features

|                    |    |
|--------------------|----|
| Packaging Quantity | 50 |
|--------------------|----|

|                  |         |
|------------------|---------|
| Packaging Method | Package |
|------------------|---------|

### Other

|         |                                   |
|---------|-----------------------------------|
| Comment | For Use With AMP-Latch Receptacle |
|---------|-----------------------------------|

## Product Compliance

[For compliance documentation, visit the product page on TE.com>](#)

|                              |           |
|------------------------------|-----------|
| EU RoHS Directive 2011/65/EU | Compliant |
|------------------------------|-----------|

|                             |           |
|-----------------------------|-----------|
| EU ELV Directive 2000/53/EC | Compliant |
|-----------------------------|-----------|

|   |   |
|---|---|
| China RoHS 2 Directive MIIT Order No 32, 2016 | No Restricted Materials Above Threshold |
|---|---|

|  |   |
|--|---|
| EU REACH Regulation (EC) No. 1907/2006 | Current ECHA Candidate List: JAN 2022 (223)<br>Candidate List Declared Against: JAN 2022 (223)<br>Does not contain REACH SVHC |
|--|---|

|                 |  |
|-----------------|--|
| Halogen Content | Not Low Halogen - contains Br or Cl > 900 ppm. |
|-----------------|--|

|                           |                              |
|---------------------------|------------------------------|
| Solder Process Capability | Wave solder capable to 265°C |
|---------------------------|------------------------------|

#### Product Compliance Disclaimer

This information is provided based on reasonable inquiry of our suppliers and represents our current actual knowledge based on the information they provided. This information is subject to change. The part numbers that TE has identified as EU RoHS compliant have a maximum concentration of 0.1% by weight in homogenous materials for lead, hexavalent chromium, mercury, PBB, PBDE, DBP, BBP, DEHP, DIBP, and 0.01% for cadmium, or qualify for an exemption to these limits as defined in the Annexes of Directive 2011/65/EU (RoHS2). Finished electrical and electronic equipment products will be CE marked as required by Directive 2011/65/EU. Components may not be CE marked. Additionally, the part numbers that TE has identified as EU ELV compliant have a maximum concentration of 0.1% by weight in homogenous

materials for lead, hexavalent chromium, and mercury, and 0.01% for cadmium, or qualify for an exemption to these limits as defined in the Annexes of Directive 2000/53/EC (ELV). Regarding the REACH Regulation, the information TE provides on SVHC in articles for this part number is based on the latest European Chemicals Agency (ECHA) 'Guidance on requirements for substances in articles' posted at this URL: <https://echa.europa.eu/guidance-documents/guidance-on-reach>

## Compatible Parts



TE Part # 499252-2  
020 STRAIN RELIEF A-L RCPT



TE Part # CAT-AM71-A85022  
Female Socket Connectors: Strain Relief



TE Part # 1-1658526-2  
609-2030LF FEM SOCKET, LEAD FREE



TE Part # 1658621-4  
20 NOVO MIL/CTR 15DP, LEAD FREE



TE Part # 1-1658526-3  
609-2041LF FEM SOCKET, LEAD FREE



TE Part # 1658622-4  
20 NOVO MIL/CTR 30DP, LEAD FREE



TE Part # 1658623-4  
20 NOVO MIL 30DP, LEAD FREE



TE Part # 1658527-8  
622-2041LF FEM SOCKET, LEAD FREE



TE Part # 2-1658527-3  
622-2030LF=FSKT IDC S 20 30AU



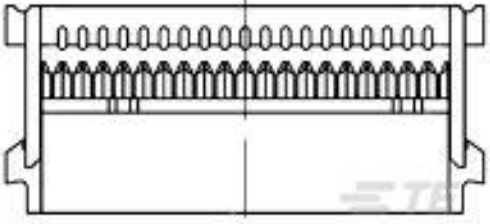
TE Part # 1658528-4  
636-2041LF FEM SOCKET, LEAD FREE



TE Part # 1658620-4  
20 NOVO MIL 15DP, LEAD FREE

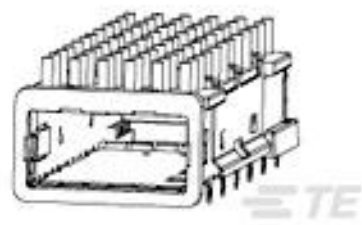


TE Part # 1-1658528-5  
636-2030LF=FEM SKT BLADE POL 1



TE Part # 3-1658526-0  
609-2000MLF=FSKT IDC S 20 30AU

## Customers Also Bought



TE Part #1888481-1  
XFP KIT W/CAGE, CLIP, HEAT SINK,  
PCI



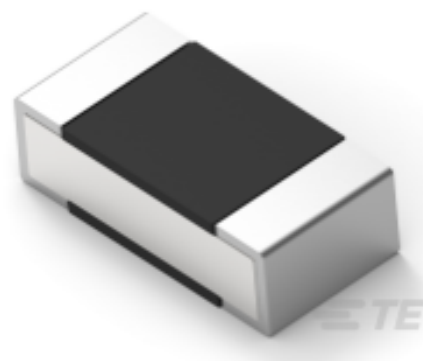
TE Part #T4141L12041-000  
M12, REAR MOUNT, FEMALE, L, 3P+PE,  
SOLDER PCB



TE Part #749608-2  
26 50SR KIT, ST, UK



TE Part #2-2176325-1  
CRGP 0402 470R 1%



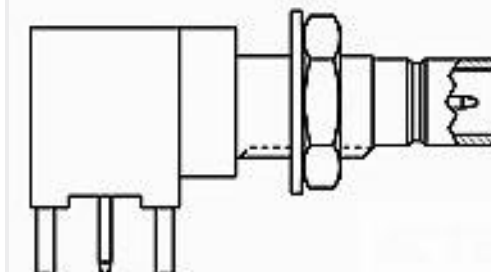
TE Part #4-2176304-8  
RP 1E 0.1W 30R9 0.1% 25PPM 5K RL



TE Part #1-207216-6  
CPC RECEIPT ASSEMBLY SIZE 17-28



TE Part #7-1879022-3  
SMF3 330K 5%



TE Part #415377-1  
JACK, RATNG, PCB, SMB, 75 OHM

TE Part #T4171010005-002  
M12, REAR MOUNTING, MALE, A, 5P, 0.5  
M WIRE

## Documents

### Product Drawings

[IDC LOW PRO HDR 20P VERT HT BLACK](#)

English

### CAD Files

[3D PDF](#)

3D

**Customer View Model**

[ENG\\_CVM\\_CVM\\_1761681-7\\_A.2d\\_dxf.zip](#)

English

**Customer View Model**

[ENG\\_CVM\\_CVM\\_1761681-7\\_A.3d\\_igs.zip](#)

English

**Customer View Model**

[ENG\\_CVM\\_CVM\\_1761681-7\\_A.3d\\_stp.zip](#)

English

By downloading the CAD file I accept and agree to the [Terms and Conditions](#) of use.

### Product Specifications



### Product Specification

English

---

### Product Environmental Compliance

[MD\\_1761681-7\\_020520151524\\_dmtec](#)

English

[MD\\_1761681-7\\_020520151524\\_dmtec](#)

English

---

### Agency Approvals

[UL Report](#)

English