

175412-1 ✓ ACTIVE

[Positive Lock](#) | [Positive Lock 110](#)

TE Internal #: 175412-1

Positive Lock 110, Quick Disconnects, Receptacle, 24 – 20 AWG

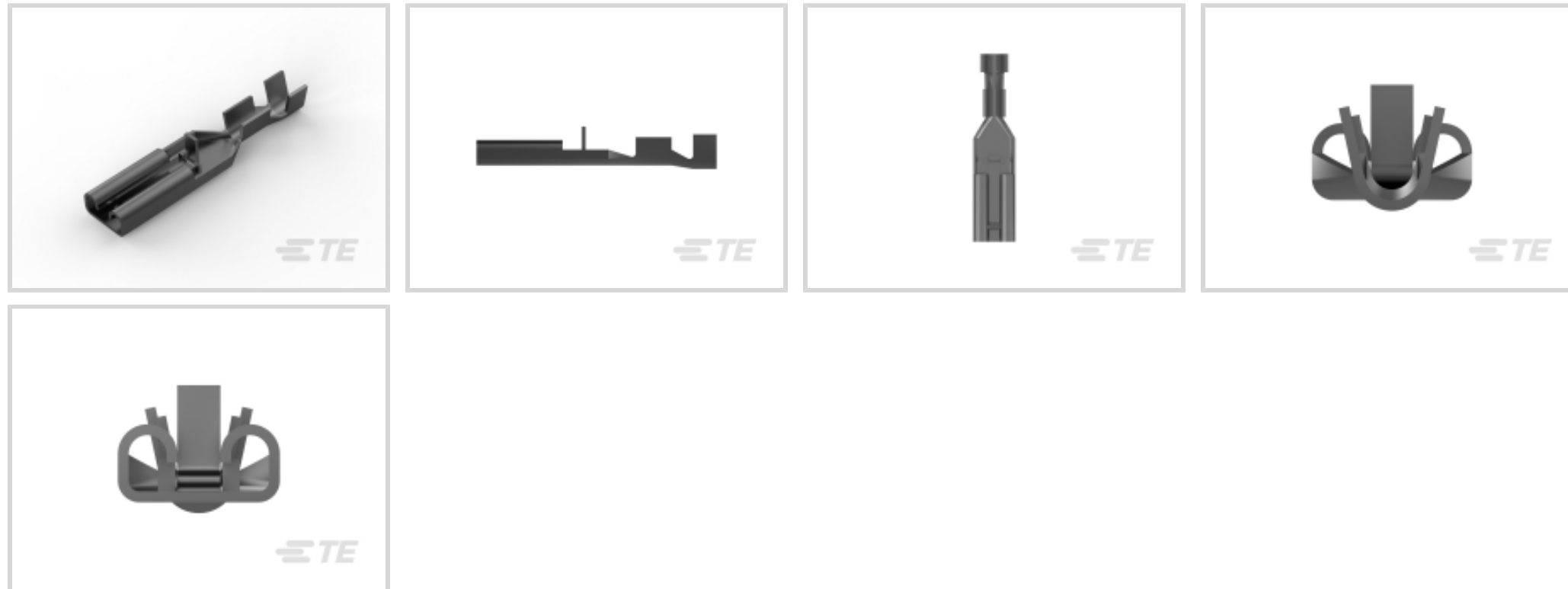
Wire Size, .2 – .51 mm<sup>2</sup> Wire Size, Mating Tab Width .11 in [2.8 mm],

Straight, Brass

[View on TE.com >](#)



Terminals & Splices > Quick Disconnects



Quick Disconnect Terminal Type: **Receptacle**

Wire Size: .2 – .51 mm<sup>2</sup>

Mating Tab Width: **2.8 mm [ .11 in ]**

Terminal Orientation: **Straight**

## Features

### Product Type Features

Terminates To	Wire & Cable
Wire/Cable Type	Regular Wire
Sealable	No

### Configuration Features

Connection Capacity	Single
---------------------	--------

### Contact Features

Quick Disconnect Terminal Type	Receptacle
Mating Tab Width	2.8 mm[.11 in]
Terminal Orientation	Straight
Contact Base Material	Brass
Terminal Plating Material	Pre-Tin
Crimp Type	F-Crimp
Barrel Type	Open

### Mechanical Attachment



Wire Insulation Support	With
-------------------------	------

### Dimensions

Accepts Wire Insulation Diameter Range	1.02 – 1.78 mm [.04 – .07 in]
Receptacle Terminal Stock Thickness	.25 mm [.01 in]
Wire Size	.2 – .51 mm <sup>2</sup>

### Usage Conditions

Insulation Requirement	Uninsulated
Operating Temperature Range	-40 – 110 °C [-40 – 230 °F]

### Packaging Features

Packaging Quantity	1000
Packaging Method	Loose Piece/Carton

### Product Compliance

[For compliance documentation, visit the product page on TE.com>](#)

EU RoHS Directive 2011/65/EU	Compliant
EU ELV Directive 2000/53/EC	Compliant
China RoHS 2 Directive MIIT Order No 32, 2016	No Restricted Materials Above Threshold
EU REACH Regulation (EC) No. 1907/2006	Current ECHA Candidate List: JAN 2022 (223) Candidate List Declared Against: JAN 2022 (223) Does not contain REACH SVHC
Halogen Content	Low Halogen - Br, Cl, F, I < 900 ppm per homogenous material. Also BFR/CFR/PVC Free
Solder Process Capability	Not applicable for solder process capability

#### Product Compliance Disclaimer

This information is provided based on reasonable inquiry of our suppliers and represents our current actual knowledge based on the information they provided. This information is subject to change. The part numbers that TE has identified as EU RoHS compliant have a maximum concentration of 0.1% by weight in homogenous materials for lead, hexavalent chromium, mercury, PBB, PBDE, DBP, BBP, DEHP, DIBP, and 0.01% for cadmium, or qualify for an exemption to these limits as defined in the Annexes of Directive 2011/65/EU (RoHS2). Finished electrical and electronic equipment products will be CE marked as required by Directive 2011/65/EU. Components may not be CE marked. Additionally, the part numbers that TE has identified as EU ELV compliant have a maximum concentration of 0.1% by weight in homogenous materials for lead, hexavalent chromium, and mercury, and 0.01% for cadmium, or qualify for an exemption to these limits as defined in the Annexes of Directive 2000/53/EC (ELV). Regarding the REACH Regulation, the information TE provides on SVHC in articles for this part number is based on the latest European Chemicals Agency (ECHA) 'Guidance on requirements for substances in articles' posted at this URL: <https://echa.europa.eu/guidance-documents/guidance-on-reach>



## Compatible Parts

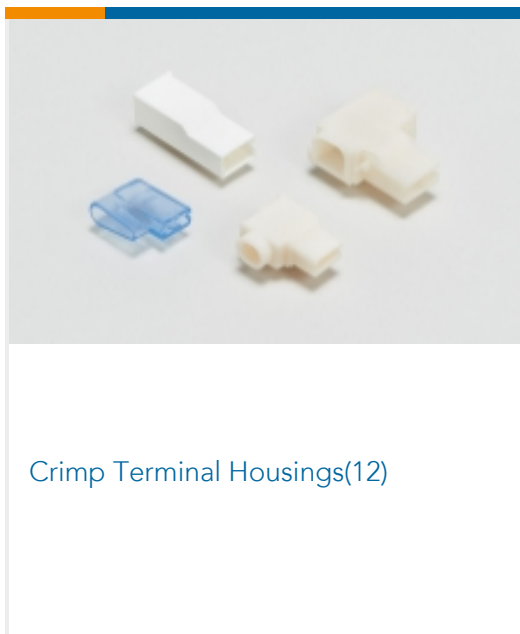


TE Part # 174779-1  
PL 110 HOUSING RECEPTACLE

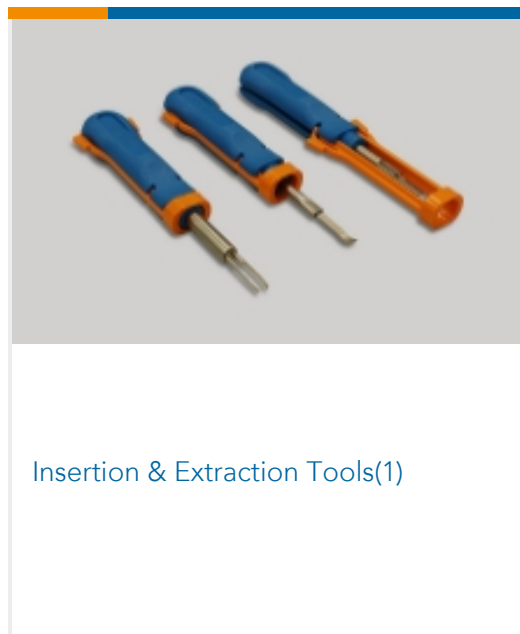


TE Part # 2255152-1  
CCII 110 POS LOCK 24-16 ASSY

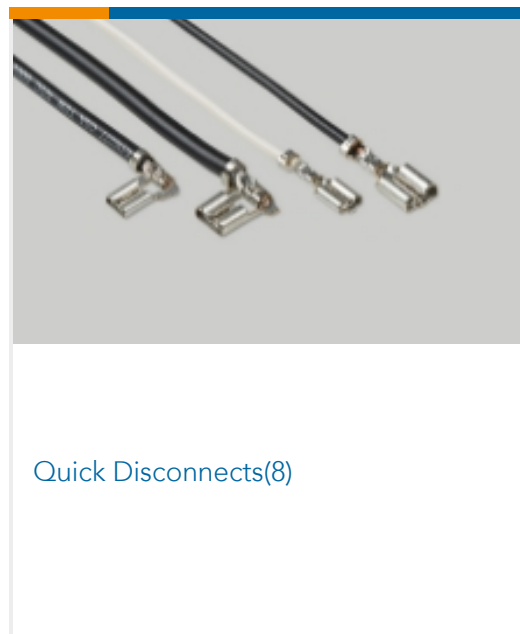
## Also in the Series | Positive Lock 110



Crimp Terminal Housings(12)

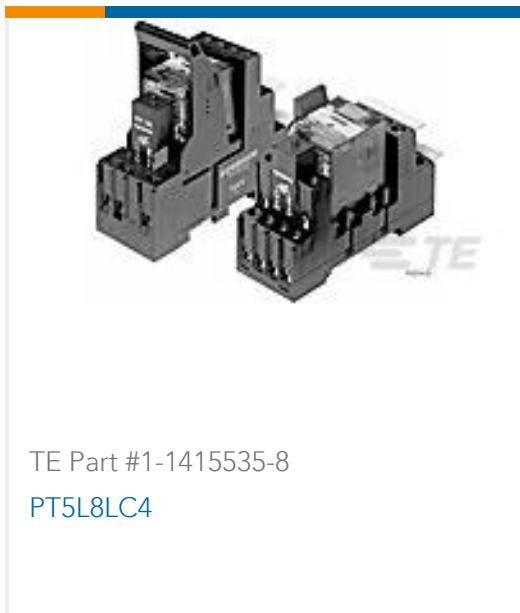


Insertion & Extraction Tools(1)

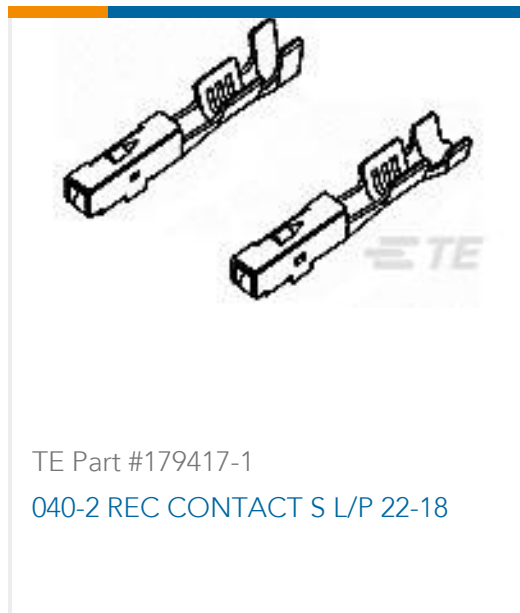


Quick Disconnects(8)

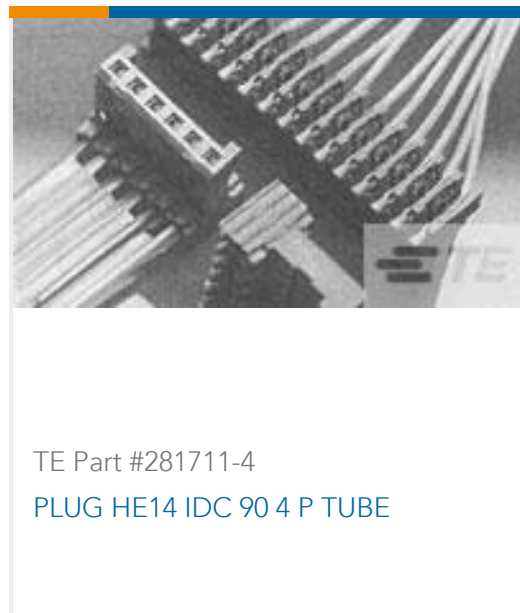
## Customers Also Bought



TE Part #1-1415535-8  
PT5L8LC4



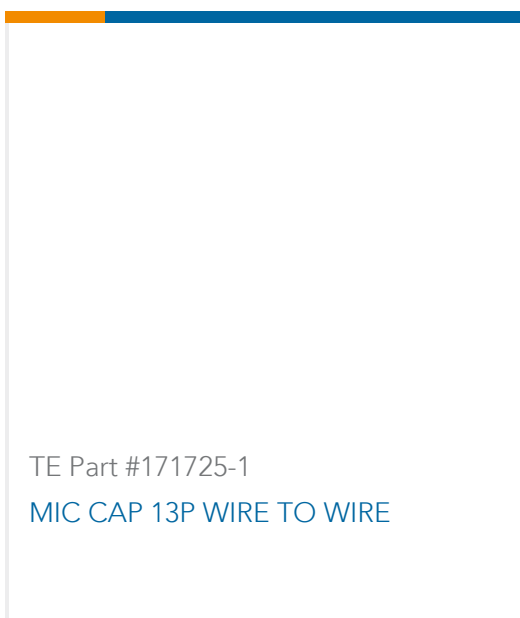
TE Part #179417-1  
040-2 REC CONTACT S L/P 22-18



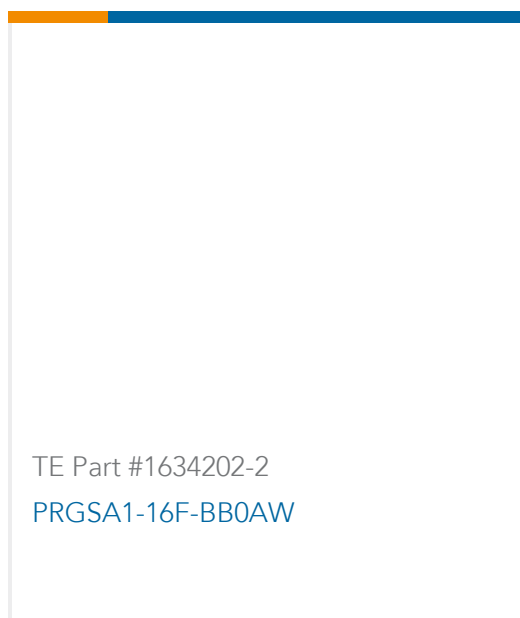
TE Part #281711-4  
PLUG HE14 IDC 90 4 P TUBE



TE Part #1634200-9  
PREDB1-07F-BG000



TE Part #171725-1  
MIC CAP 13P WIRE TO WIRE



TE Part #1634202-2  
PRGSA1-16F-BB0AW

## Documents

### Product Drawings

[PL 110 REC 24-20 AWG 0.25 X 10.4 PTBR](#)

English

### CAD Files



### 3D PDF

3D

#### Customer View Model

[ENG\\_CVM\\_CVM\\_175412-1\\_A.2d\\_dxf.zip](#)

English

#### Customer View Model

[ENG\\_CVM\\_CVM\\_175412-1\\_A.3d\\_igs.zip](#)

English

#### Customer View Model

[ENG\\_CVM\\_CVM\\_175412-1\\_A.3d\\_stp.zip](#)

English

By downloading the CAD file I accept and agree to the [Terms and Conditions](#) of use.

### Product Specifications

#### Application Specification

English

#### Crimping 110 Series, Positive Lock Contact

English

### Product Environmental Compliance

#### Product Compliance

English

#### Product Compliance

English