

1658623-8 ✓ ACTIVE



AMP-LATCH

TE Internal #: 1658623-8

Ribbon Cable Connectors, Wire-to-Board, 34 Position, .1 in [2.54 mm] Centerline, Vertical, Through Hole - Solder, Insulation

Displacement (IDC), 2 Row

[View on TE.com >](#)

Connectors > PCB Connectors > Wire-to-Board Connectors > FFC, FPC & Ribbon Connectors > Ribbon Cable Connectors



Connector System: **Wire-to-Board**

Number of Positions: **34**

Centerline (Pitch): **2.54 mm [.1 in]**

PCB Mount Retention: **Without**

PCB Mount Orientation: **Vertical**

Features

Product Type Features

| | |
|------------------------------------|--------------------|
| Connector Type | Connector Assembly |
| Ribbon Cable Connector Header Type | Pin Header |
| Connector Product Type | Connector Assembly |
| Connector System | Wire-to-Board |
| Connector & Housing Type | Receptacle |
| Connector & Contact Terminates To | Wire & Cable |

Configuration Features

| | |
|-----------------------------------|--------------|
| Compatible With Wire & Cable Type | Ribbon Cable |
| Number of Positions | 34 |
| PCB Mount Orientation | Vertical |
| Number of Rows | 2 |

Electrical Characteristics

| | |
|-----------------------|---------|
| UL Voltage Rating | 250 VAC |
| Insulation Resistance | 5000 MΩ |



| | |
|-------------------|---------|
| Operating Voltage | 250 VAC |
|-------------------|---------|

Body Features

| | |
|-------------|---------|
| Daisy Chain | Without |
|-------------|---------|

| | |
|-------------------|-----|
| Connector Profile | Low |
|-------------------|-----|

Contact Features

| | |
|------------------------------|-----------------|
| Mating Square Post Dimension | .64 mm[.025 in] |
|------------------------------|-----------------|

| | |
|---------------------|-----------------|
| Mating Pin Diameter | .64 mm[.025 in] |
|---------------------|-----------------|

| | |
|--------------|--------|
| Contact Type | Socket |
|--------------|--------|

| | |
|---|---------------------------|
| Wire Contact Termination Area Plating Thickness | 1.27 μ m[50 μ in] |
|---|---------------------------|

| | |
|--|-----|
| Wire Contact Termination Area Plating Material | Tin |
|--|-----|

| | |
|--|-----------------------------|
| Contact Mating Area Plating Material Thickness | .76 μ m[29.92 μ in] |
|--|-----------------------------|

| | |
|--------------------------------------|---|
| Contact Mating Area Plating Material | Gold or Palladium Nickel or Performance Based |
|--------------------------------------|---|

| | |
|----------------------|-------------|
| Contact Shape & Form | Tuning Fork |
|----------------------|-------------|

| | |
|-----------------------|-----------------|
| Contact Base Material | Phosphor Bronze |
|-----------------------|-----------------|

| | |
|------------------------------|-----|
| Contact Current Rating (Max) | 1 A |
|------------------------------|-----|

Termination Features

| | |
|---|-----------------------|
| Termination Method to Printed Circuit Board | Through Hole - Solder |
|---|-----------------------|

| | |
|------------------------------------|-------------------------------|
| Termination Method to Wire & Cable | Insulation Displacement (IDC) |
|------------------------------------|-------------------------------|

Mechanical Attachment

| | |
|------------------|------|
| Mating Alignment | With |
|------------------|------|

| | |
|---------------------|---------|
| PCB Mount Alignment | Without |
|---------------------|---------|

| | |
|---------------------|---------|
| Panel Mount Feature | Without |
|---------------------|---------|

| | |
|---------------------|---------|
| PCB Mount Retention | Without |
|---------------------|---------|

| | |
|-----------------------|--------------|
| Mating Alignment Type | Polarization |
|-----------------------|--------------|

| | |
|------------------|---------|
| Mating Retention | Without |
|------------------|---------|

| | |
|-------------------------|----------------------------|
| Connector Mounting Type | Cable Mount (Free-Hanging) |
|-------------------------|----------------------------|

Housing Features

| | |
|------------------|---------------|
| Housing Material | Thermoplastic |
|------------------|---------------|

| | |
|---------------|-------|
| Housing Color | Black |
|---------------|-------|

| | |
|--------------------|----------------|
| Centerline (Pitch) | 2.54 mm[.1 in] |
|--------------------|----------------|

Dimensions



| | |
|--|------------------------------|
| Connector Length | 47.75 mm[1.88 in] |
| Connector Height | 15.16 mm[.597 in] |
| Connector Width | 6.1 mm[.24 in] |
| Wire Size | .08 – .15 mm ² |
| Accepts Wire Insulation Diameter Range | .79 – .94 mm[.031 – .037 in] |
| Row-to-Row Spacing | 2.54 mm[.1 in] |

Usage Conditions

| | |
|-----------------------------|----------------------------|
| Operating Temperature Range | -65 – 105 °C[-85 – 221 °F] |
|-----------------------------|----------------------------|

Operation/Application

| | |
|---------------------|--------|
| Circuit Application | Signal |
|---------------------|--------|

Industry Standards

| | |
|------------------------|------------|
| CSA File Number | LR 7189 |
| UL Rating | Recognized |
| UL File Number | E28476 |
| Agency/Standard | CSA, UL |
| UL Flammability Rating | UL 94V-0 |

Packaging Features

| | |
|--------------------|--------------|
| Packaging Quantity | 60 |
| Packaging Method | Box & Carton |

Product Compliance

[For compliance documentation, visit the product page on TE.com>](#)

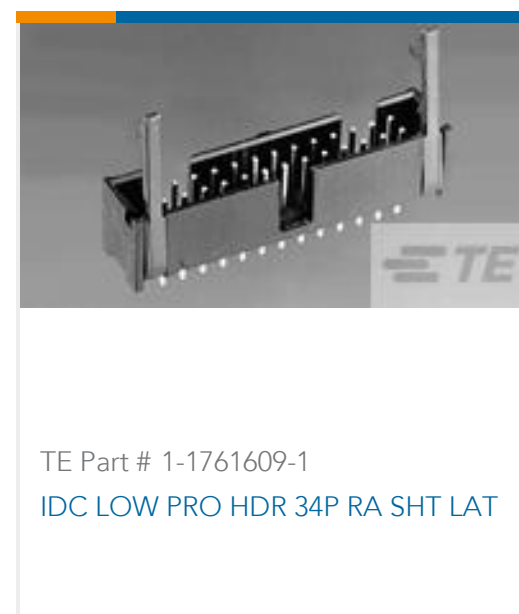
| | |
|---|---|
| EU RoHS Directive 2011/65/EU | Compliant |
| EU ELV Directive 2000/53/EC | Compliant |
| China RoHS 2 Directive MIIT Order No 32, 2016 | No Restricted Materials Above Threshold |
| EU REACH Regulation (EC) No. 1907/2006 | Current ECHA Candidate List: JAN 2022 (223) Candidate List Declared Against: JAN 2022 (223) Does not contain REACH SVHC |
| Halogen Content | Not Low Halogen - contains Br or Cl > 900 ppm. |
| Solder Process Capability | Not applicable for solder process capability |

Product Compliance Disclaimer

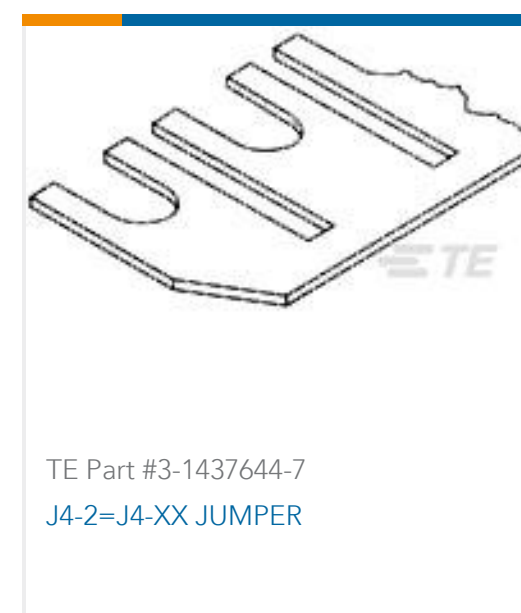
This information is provided based on reasonable inquiry of our suppliers and represents our current actual knowledge based on the information they provided. This information is subject to change. The part numbers that TE has identified as EU RoHS compliant have a maximum concentration of 0.1% by weight in homogenous materials for lead, hexavalent chromium, mercury, PBB, PBDE, DBP, BBP, DEHP, DIBP, and 0.01% for cadmium, or qualify for an exemption to these limits as defined in the Annexes of Directive 2011/65/EU (RoHS2). Finished electrical and electronic equipment products will be CE marked as required by Directive 2011/65/EU. Components may not be CE marked. Additionally, the part numbers that TE has identified as EU ELV compliant have a maximum concentration of 0.1% by weight in homogenous materials for lead, hexavalent chromium, and mercury, and 0.01% for cadmium, or qualify for an exemption to these limits as defined in the Annexes of Directive 2000/53/EC (ELV). Regarding the REACH Regulation, the information TE provides on SVHC in articles for this part number is based on the latest European Chemicals Agency (ECHA) 'Guidance on requirements for substances in articles' posted at this URL: <https://echa.europa.eu/guidance-documents/guidance-on-reach>

Compatible Parts





Customers Also Bought



Documents

Product Drawings

34 NOVO MIL 30DP, LEAD FREE

English

CAD Files

Customer View Model

ENG_CVM_CVM_1658623-8_C.2d_dxf.zip

English

3D PDF



3D

Customer View Model

[ENG_CVM_CVM_1658623-8_C.3d_igs.zip](#)

English

Customer View Model

[ENG_CVM_CVM_1658623-8_C.3d_stp.zip](#)

English

By downloading the CAD file I accept and agree to the [Terms and Conditions](#) of use.

Datasheets & Catalog Pages

[Ribbon Cable Interconnect Solutions](#)

English

Product Specifications

[Application Specification](#)

English

Instruction Sheets

[Instruction Sheet \(U.S.\)](#)

English

Agency Approvals

[Agency Approval Document](#)

English