

16

1634 01

Power supply connectors



Power supply plug, straight version, with bayonet lock,  
with solder eyes

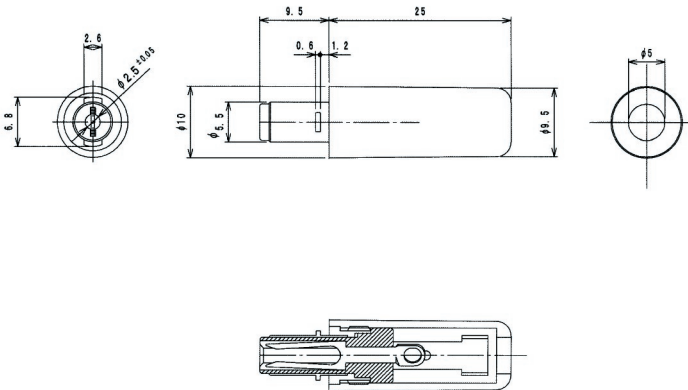
---

State: Active

---

16

1634 01



#### Environmental conditions

Temperature range -20 °C/+70 °C

#### Materials

Insulating body POM  
Contact Cu alloy/steel, nickel-plated  
Housing ABS

#### Mechanical data

Outer diameter 5,5 mm  
Inner diameter 2,5 mm

#### Connectable conductors for solder area

Cable diameter 5 mm

#### Electrical data (at T<sub>amb</sub> 20 °C)

Rated current 2 A  
Rated voltage 24 V DC  
Rated impulse voltage 500 V/60 s  
Insulation resistance ≥ 100 MΩ

#### Associated products

Counterparts  
↗ 1610 04 ↗ 1613 23

16

1634 01

Designation	Pole Number	PU (Pieces)	MDQ (Pieces)
1634 01	2	100	500

**Packaging:**

in bulk, in a cardboard box or a plastic bag