



Alcoswitch

TE Internal #: 1634202-6

Rocker Switches, Power, Panel Cutout Size 1.19 x 441 in [30.2 x 11.2 mm], Silver Tin Oxide, Lamp

[View on TE.com >](#)

Relays, Contactors & Switches > Switches > Rocker Switches



Rocker Switch Type: **Power**

Rocker Switch Mounting Type: **Panel**

Indicator/Imprint Legend: **None**

Panel Cutout Size: **30.2 x 11.2 mm [ 1.19 x 441 in ]**

Switch Contact Plating Material: **Silver Tin Oxide**

**Features**

**Product Type Features**

Product Type	Switch
Rocker Switch Type	Power
Lamp	With
Rocker Switch LED	Without
Actuator Type	Top
Actuator Style	Rocker

**Configuration Features**

Indicator/Imprint Legend	None
Panel Cutout Size	30.2 x 11.2 mm[1.19 x 441 in]
Configuration (Pole-Throw)	Single Pole - Single Throw
Operating Function	On Off

**Electrical Characteristics**

Rocker Switch Voltage Rating	125 VAC, 250 VAC
------------------------------	------------------

**Body Features**

Lens Color	Green
Beveled Frame Color	Black
Body Color	Black
Actuator Color	Black

**Contact Features**



Terminal Tab Width	6.35 mm[.25 in]
Switch Contact Plating Material	Silver Tin Oxide
Rocker Switch Contact Current Rating	10 A

**Termination Features**

Termination Type	Quick Connect
------------------	---------------

**Mechanical Attachment**

Mounting Angle	Vertical
Rocker Switch Mounting Type	Panel

**Housing Features**

Process Sealed	No
----------------	----

**Industry Standards**

VDE Tested	Yes
------------	-----

**Other**

Comment	Dust Resistant., Lamp-Illuminated Rocker Button.
---------	--

**Product Compliance**

[For compliance documentation, visit the product page on TE.com>](#)

EU RoHS Directive 2011/65/EU	Compliant
EU ELV Directive 2000/53/EC	Not Yet Reviewed
China RoHS 2 Directive MIIT Order No 32, 2016	No Restricted Materials Above Threshold
EU REACH Regulation (EC) No. 1907/2006	Current ECHA Candidate List: JAN 2022 (223) Candidate List Declared Against: JUN 2020 (209) SVHC > Threshold: Not Yet Reviewed
Halogen Content	Not Yet Reviewed for halogen content
Solder Process Capability	Not applicable for solder process capability

**Product Compliance Disclaimer**

This information is provided based on reasonable inquiry of our suppliers and represents our current actual knowledge based on the information they provided. This information is subject to change. The part numbers that TE has identified as EU RoHS compliant have a maximum concentration of 0.1% by weight in homogenous materials for lead, hexavalent chromium, mercury, PBB, PBDE, DBP, BBP, DEHP, DIBP, and 0.01% for cadmium, or qualify for an exemption to these limits as defined in the Annexes of Directive 2011/65/EU (RoHS2). Finished electrical and electronic equipment products will be CE marked as required by Directive 2011/65/EU. Components may not be CE marked. Additionally, the part numbers that TE has identified as EU ELV compliant have a maximum concentration of 0.1% by weight in homogenous

materials for lead, hexavalent chromium, and mercury, and 0.01% for cadmium, or qualify for an exemption to these limits as defined in the Annexes of Directive 2000/53/EC (ELV). Regarding the REACH Regulation, the information TE provides on SVHC in articles for this part number is based on the latest European Chemicals Agency (ECHA) 'Guidance on requirements for substances in articles' posted at this URL: <https://echa.europa.eu/guidance-documents/guidance-on-reach>

## Compatible Parts



TE Part # 1634202-3  
PRGSA1-16F-BB0BW

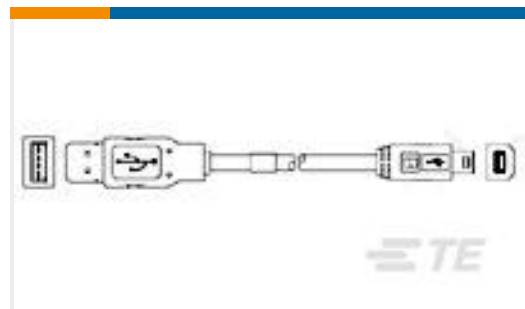


TE Part # 1634202-5  
PRGSB1-16F-BR000



TE Part # 1634202-1  
PRGSA1-16F-BB000

## Customers Also Bought



TE Part #1487588-2  
USB, A-B, 28/24, WHITE, 1.5M



TE Part #2-1761603-6  
IDC LOW PRO HDR 16P VERT BLUE



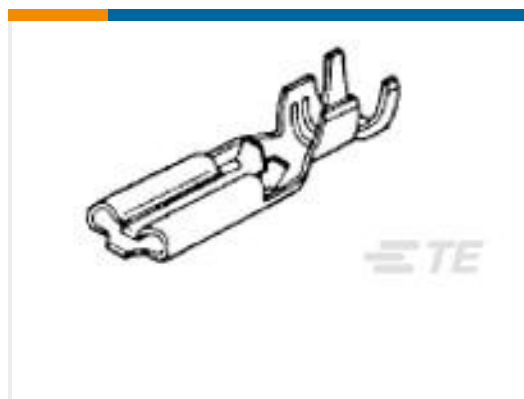
TE Part #1658672-1  
HDP-22,PLUG,SIZE 3,44 POSN



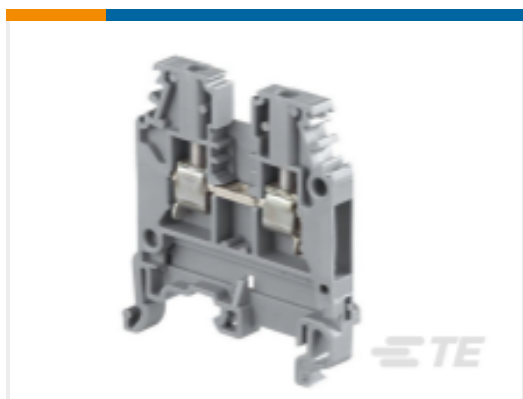
TE Part #1623760-2  
23E 10KA 6.35X50FL B7 CAT



TE Part #1564432-1  
16POS, MIXED,HEADER ASSY,BK



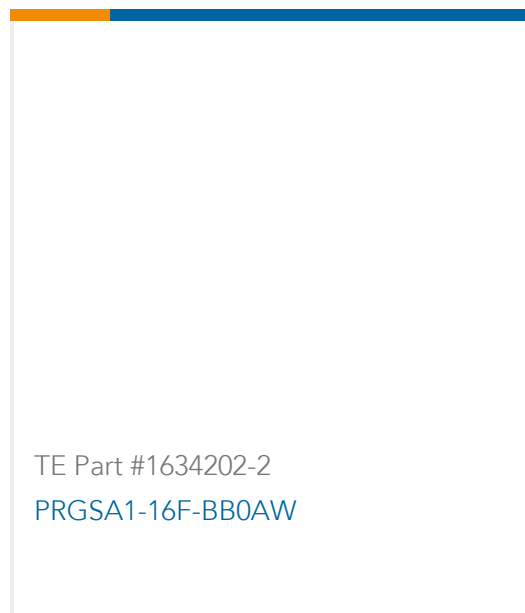
TE Part #175412-1  
PL 110 REC 24-20 AWG 0.25 X 10.4 PTBR



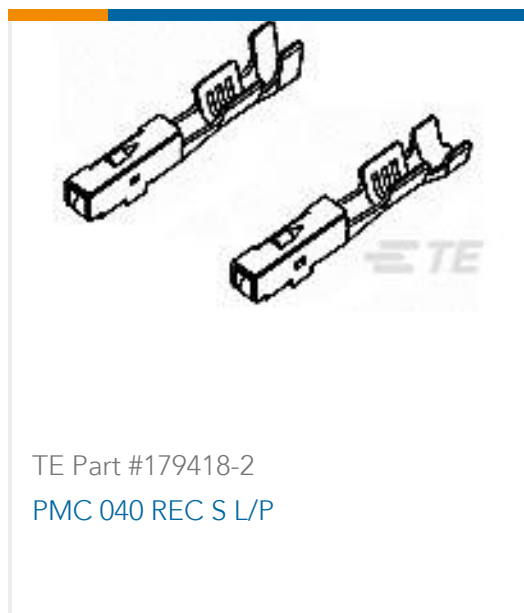
TE Part #1SNA115486R0300  
MA2.5/5



TE Part #8-1393476-0  
PIN HEADER 80P WITH PIN GUIDE



TE Part #1634202-2  
PRGSA1-16F-BB0AW



TE Part #179418-2  
PMC 040 REC S L/P

## Documents

[Product Drawings](#)  
[PRGSB1-16F-BG000](#)

1634202-6

Rocker Switches, Power, Panel Cutout Size 1.19 x 441 in [30.2 x 11.2 mm], Silver Tin Oxide, Lamp



English

---

[Datasheets & Catalog Pages](#)

[SWITCHES\\_CORE\\_PROGRAM\\_CATALOG](#)

English