

1634201-5 ✓ ACTIVE

Alcoswitch

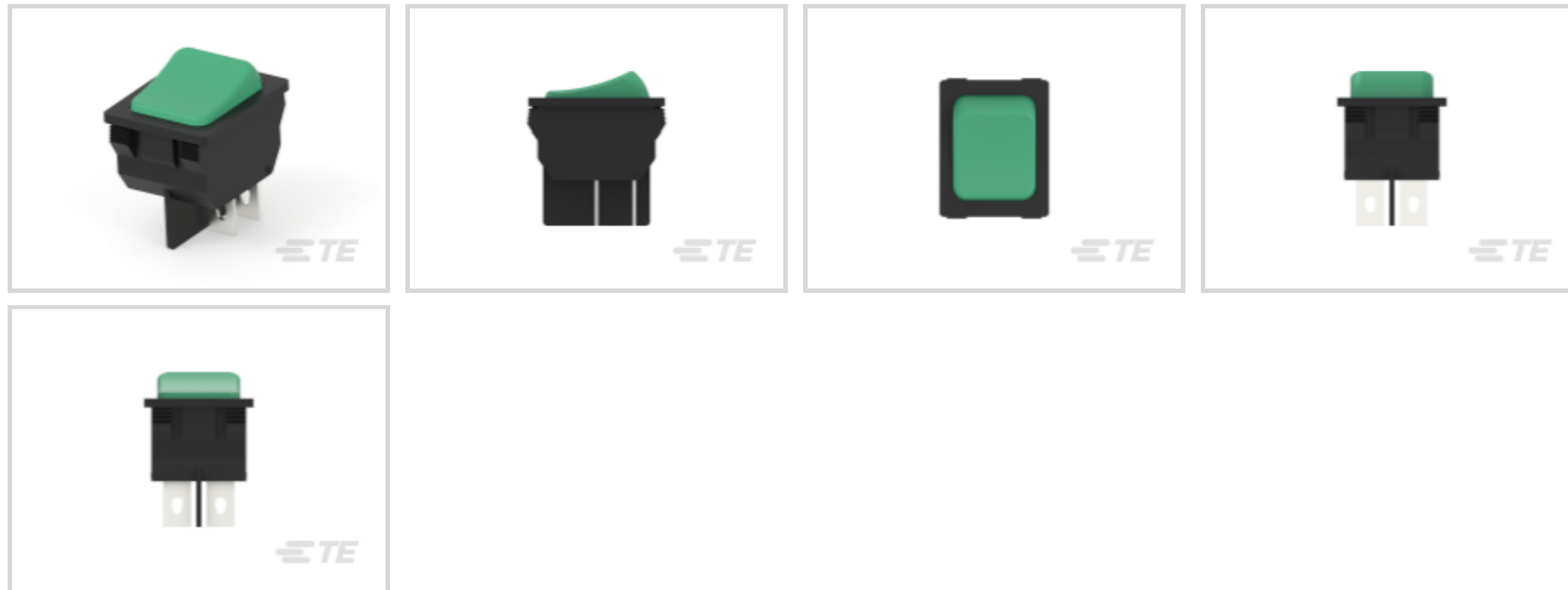
TE Internal #: 1634201-5

Rocker Switches, Power, Panel Cutout Size 1.19 x .874 in [30.2 x 22.2 mm], Silver Tin Oxide, Lamp

[View on TE.com >](#)



Relays, Contactors & Switches > Switches > Rocker Switches



Rocker Switch Type: **Power**

Rocker Switch Mounting Type: **Panel**

Indicator/Imprint Legend: **None**

Panel Cutout Size: **30.2 x 22.2 mm [1.19 x .874 in]**

Switch Contact Plating Material: **Silver Tin Oxide**

Features

Product Type Features

Product Type	Switch
Rocker Switch Type	Power
Lamp	With
Rocker Switch LED	Without
Actuator Type	Top
Actuator Style	Rocker

Configuration Features

Indicator/Imprint Legend	None
Panel Cutout Size	30.2 x 22.2 mm[1.19 x .874 in]
Configuration (Pole-Throw)	Double Pole - Single Throw
Operating Function	On Off

Electrical Characteristics

Rocker Switch Voltage Rating	125 VAC, 250 VAC
------------------------------	------------------

Body Features



Lens Color	Green
Beveled Frame Color	Black
Body Color	Black
Actuator Color	Black

Contact Features

Terminal Tab Width	6.35 mm[.25 in]
Switch Contact Plating Material	Silver Tin Oxide
Rocker Switch Contact Current Rating	10 A, 16 A

Termination Features

Termination Type	Quick Connect
------------------	---------------

Mechanical Attachment

Mounting Angle	Vertical
Rocker Switch Mounting Type	Panel

Housing Features

Process Sealed	No
----------------	----

Industry Standards

VDE Tested	Yes
------------	-----

Other

Comment	Dust Resistant., Lamp-Illuminated Rocker Button.
---------	--

Product Compliance

[For compliance documentation, visit the product page on TE.com>](#)

EU RoHS Directive 2011/65/EU	Compliant
EU ELV Directive 2000/53/EC	Compliant
China RoHS 2 Directive MIIT Order No 32, 2016	No Restricted Materials Above Threshold
EU REACH Regulation (EC) No. 1907/2006	Current ECHA Candidate List: JAN 2022 (223) Candidate List Declared Against: JAN 2022 (223) Does not contain REACH SVHC
Halogen Content	Low Halogen - Br, Cl, F, I < 900 ppm per homogenous material. Also BFR/CFR/PVC Free
Solder Process Capability	Not applicable for solder process capability

Product Compliance Disclaimer

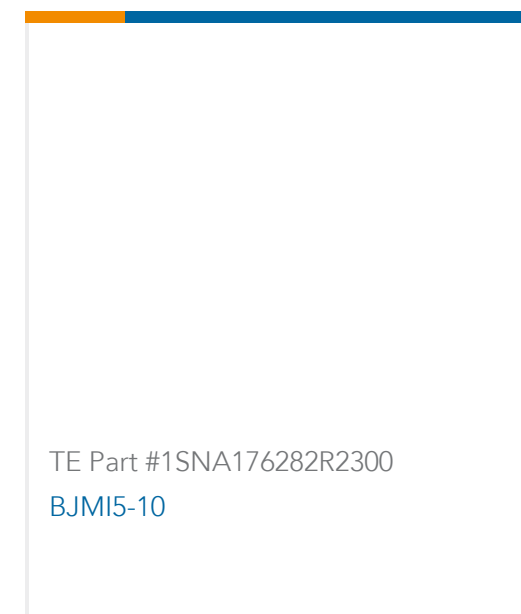
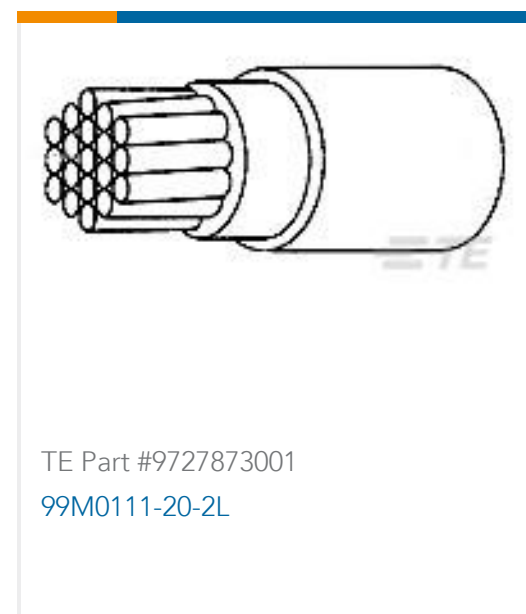
This information is provided based on reasonable inquiry of our suppliers and represents our current actual knowledge based on the information they provided. This information is subject to change. The part numbers that TE has identified as EU RoHS compliant have a maximum concentration of 0.1% by weight in homogenous materials for lead, hexavalent chromium, mercury, PBB, PBDE, DBP, BBP, DEHP, DIBP, and 0.01% for cadmium, or qualify for an exemption to these limits as defined in the Annexes of Directive 2011/65/EU (RoHS2). Finished electrical and electronic equipment products will be CE marked as required by Directive 2011/65/EU. Components may not be CE marked. Additionally, the part numbers that TE has identified as EU ELV compliant have a maximum concentration of 0.1% by weight in homogenous materials for lead, hexavalent chromium, and mercury, and 0.01% for cadmium, or qualify for an exemption to these limits as defined in the Annexes of Directive 2000/53/EC (ELV). Regarding the REACH Regulation, the information TE provides on SVHC in articles for this part number is based on the latest European Chemicals Agency (ECHA) 'Guidance on requirements for substances in articles' posted at this URL: <https://echa.europa.eu/guidance-documents/guidance-on-reach>

Compatible Parts

 <p>TE Part # 1634201-1 PRFDA1-16F-BB000</p>	 <p>TE Part # 1634201-3 PRFDA1-16F-BB0CW</p>	 <p>TE Part # 1634201-4 PRFDB1-16F-BR000</p>	 <p>TE Part # 1-1634201-2 PRFDD3-16F-BB0GW</p>
 <p>TE Part # 1634201-2 PRFDA1-16F-BB0BW</p>	 <p>TE Part # 1634201-6 PRFDB1-16F-BY000</p>	 <p>TE Part # 1634201-7 PRFDD1-16F-BB000</p>	

Customers Also Bought

 <p>TE Part #165172 PIDG WIRE PIN</p>	 <p>TE Part #3-2176087-7 RP 1J 0.166W 162R 0.1% 25PPM 1K RL</p>	 <p>TE Part #4-2176397-3 3502 56R 1%</p>	 <p>TE Part #281711-4 PLUG HE14 IDC 90 4 P TUBE</p>
--	--	---	--



Documents

Product Drawings

[PRFDB1-16F-BG000](#)

English

CAD Files

[3D PDF](#)

3D

Customer View Model

[ENG_CVM_CVM_1634201-5_D.2d_dxf.zip](#)

English

Customer View Model

[ENG_CVM_CVM_1634201-5_D.3d_igs.zip](#)

English

Customer View Model

[ENG_CVM_CVM_1634201-5_D.3d_stp.zip](#)

English

By downloading the CAD file I accept and agree to the [Terms and Conditions](#) of use.

Datasheets & Catalog Pages

[SWITCHES_CORE_PROGRAM_CATALOG](#)

English