

Device connector, front mounting - M23-12P1N8AA500S - 1628498

Please be informed that the data shown in this PDF Document is generated from our Online Catalog. Please find the complete data in the user's documentation. Our General Terms of Use for Downloads are valid (<http://phoenixcontact.com/download>)



Device connector for front wall, M23 PRO, angled rotatable, for standard and ONECLICK fast locking system, M23, No. of pos.: 12, type of contact: Pin, Crimp connection, flange dimensions: 26 mm x 26 mm

Your advantages

- Solutions with cross-manufacturer compatibility for standard and fast locking systems
- Reliable under the harshest conditions: cable connectors with vibration brake
- Modern, consistent design for highly convenient operation

Key Commercial Data

| | |
|--------------------------------------|--------------------------------|
| Packing unit | 1 pc |
| GTIN | |
| GTIN | 4055626622132 |
| Weight per Piece (excluding packing) | 100.770 g |
| Custom tariff number | 85366990 |
| Country of origin | Germany |
| Note | Made to Order (non-returnable) |

Technical data

Temperature range

| | |
|---------------------------------|-------------------|
| Ambient temperature (operation) | -40 °C ... 125 °C |
|---------------------------------|-------------------|

Data of the insulating body

| | |
|---------------------------|---|
| Note | Order information: Order crimp contacts Ø 1 mm separately |
| Coding | N |
| Insulator material | PA 6.6 |
| Contact connection method | Crimp connection |
| Type of contacts | Pin |
| Application | Signal |
| Number of positions | 12 |

Device connector, front mounting - M23-12P1N8AA500S - 1628498

Technical data

Data of the insulating body

| | |
|---|-----------------------------------|
| Direction of rotation | Standard |
| Contact diameter of signal contacts | 1 mm |
| Litz wire cross section of signal contacts min. | 0.08 mm ² |
| Litz wire cross section of signal contacts max. | 1 mm ² |
| Nominal current per signal contact | 8 A |
| Additional text | for max. connection cross section |
| Rated voltage of signal contact | 150 V |
| Rated surge voltage | 2.5 kV |
| Overvoltage category | III |
| Degree of pollution | 3 |
| Additional text | for max. connection cross section |

Housing data

| | |
|--|---|
| Housing material | GD-Zn |
| Flange dimensions | 26 mm x 26 mm |
| Type of locking | for standard and ONECLICK fast locking system |
| Degree of protection (when plugged in) | IP66 / IP68 (2 m / 24 h) |
| Thread type | M23 |

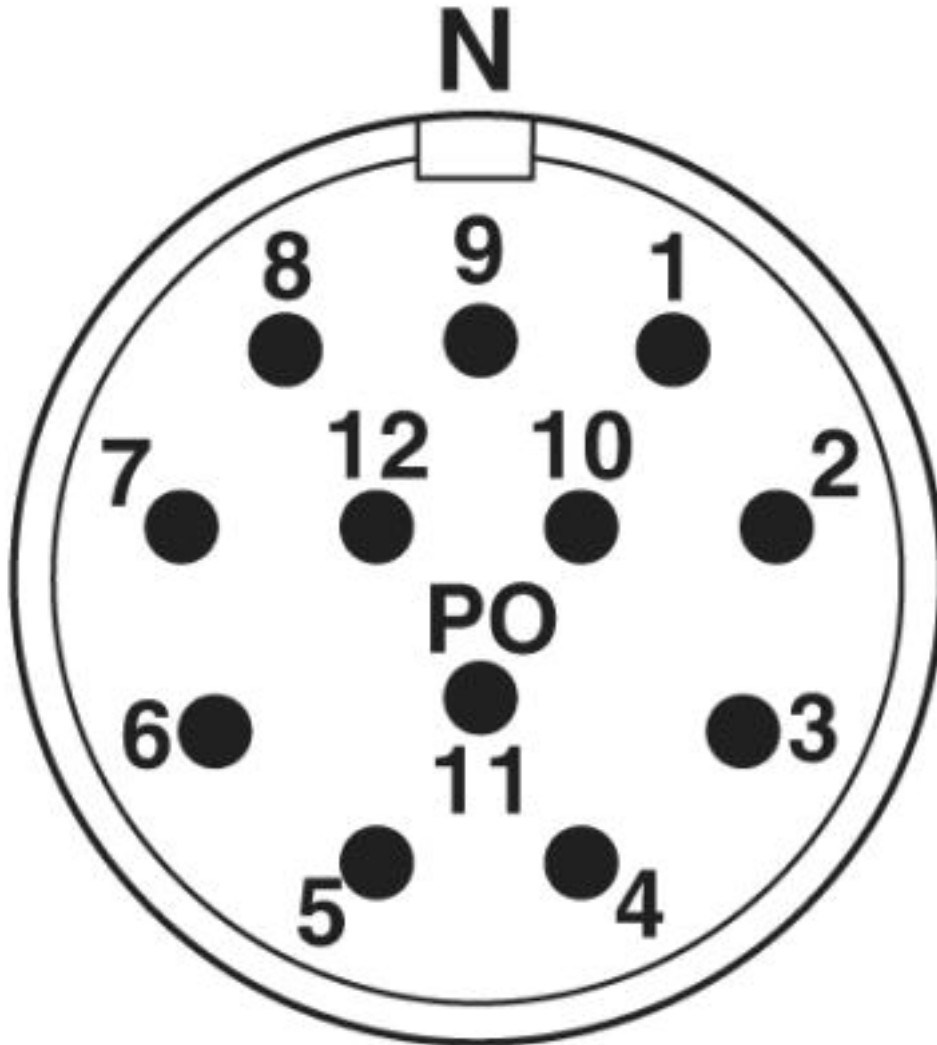
Environmental Product Compliance

| | |
|------------|---|
| China RoHS | Environmentally Friendly Use Period = 50 |
| | For details about hazardous substances go to tab "Downloads", Category "Manufacturer's declaration" |

Drawings

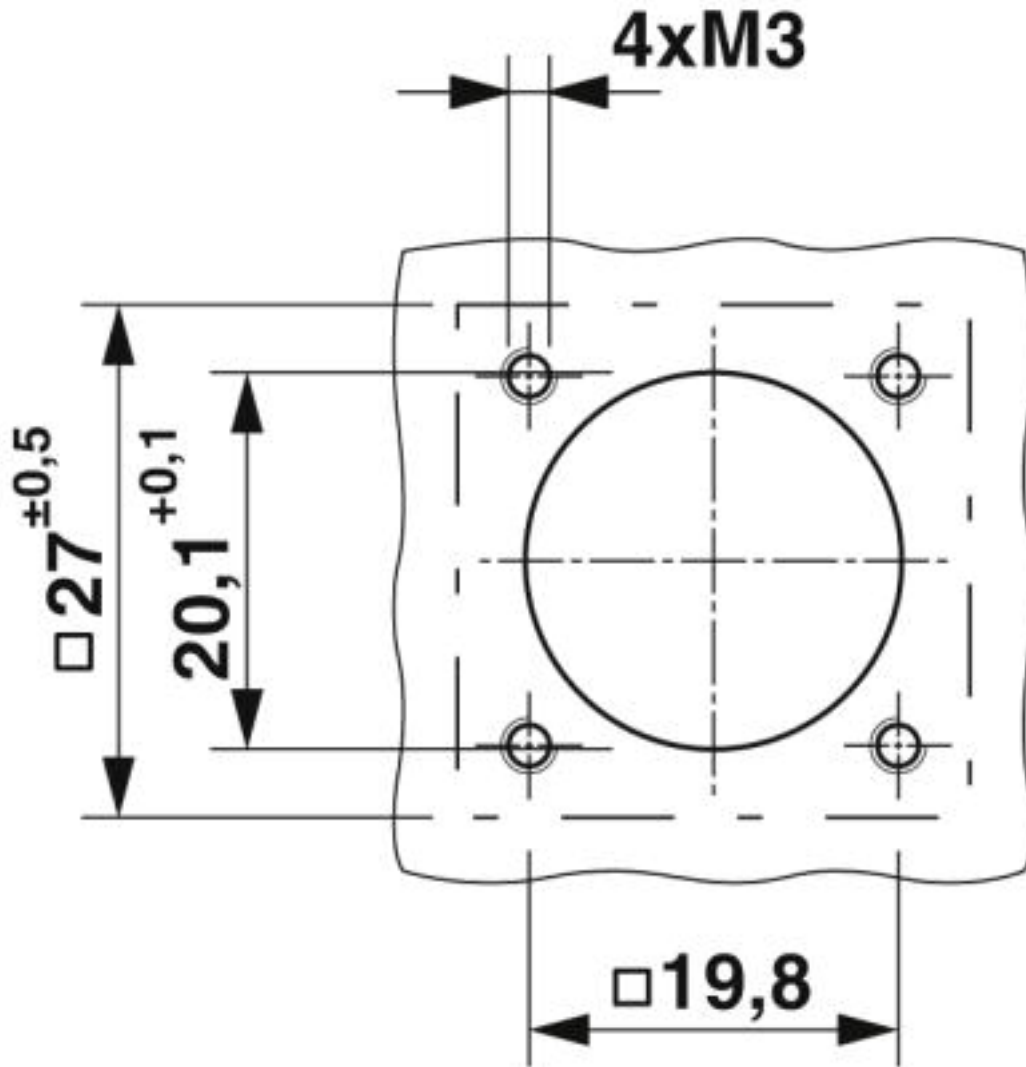
Device connector, front mounting - M23-12P1N8AA500S - 1628498

Schematic diagram



Device connector, front mounting - M23-12P1N8AA500S - 1628498

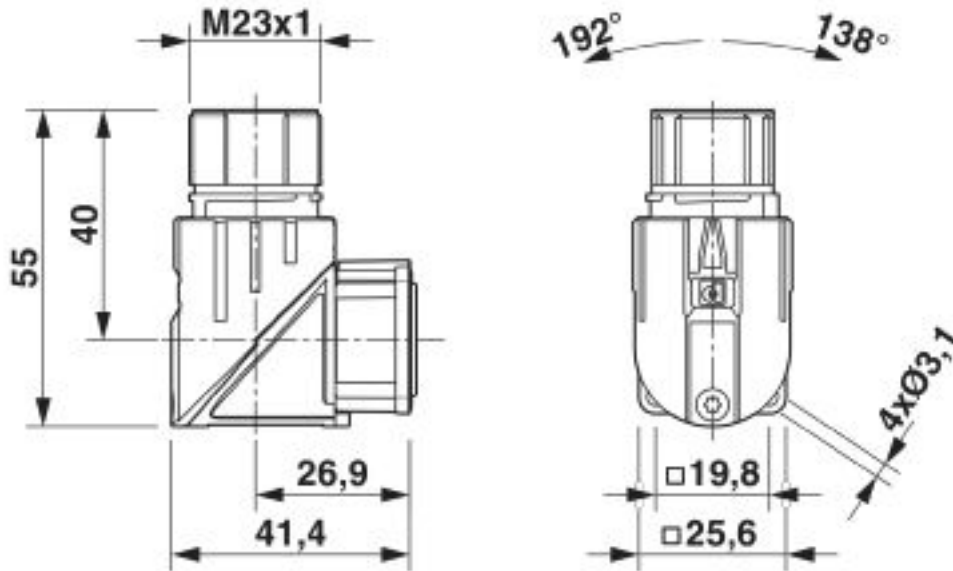
Dimensional drawing



Installation dimensions

Device connector, front mounting - M23-12P1N8AA500S - 1628498

Dimensional drawing



Classifications

eCl@ss

| | |
|------------|----------|
| eCl@ss 8.0 | 27440102 |
| eCl@ss 9.0 | 27440103 |

ETIM

| | |
|----------|----------|
| ETIM 5.0 | EC002635 |
| ETIM 6.0 | EC002061 |

Approvals

Approvals

Approvals

UL Recognized / cUL Recognized / cULus Recognized

Ex Approvals

Approval details

Device connector, front mounting - M23-12P1N8AA500S - 1628498

Approvals

| | | |
|----------------------------|-------|--|
| UL Recognized | | http://database.ul.com/cgi-bin/XYV/template/LISEXT/1FRAME/index.htm E335019-20141210 |
| Nominal voltage UN | 150 V | |
| Nominal current IN | 4 A | |
| mm ² /AWG/kcmil | 20 | |

| | | |
|----------------------------|-------|--|
| cUL Recognized | | http://database.ul.com/cgi-bin/XYV/template/LISEXT/1FRAME/index.htm E335019-20141210 |
| Nominal voltage UN | 150 V | |
| Nominal current IN | 3 A | |
| mm ² /AWG/kcmil | 20 | |

| | |
|------------------|--|
| cULus Recognized | |
|------------------|--|

Accessories

Accessories

Crimp contact

Crimp contact - RC-12P2000 - 1597862



Crimp contact, turned, Single contact, contact diameter: 1 mm, crimp range: 0.14 mm² ... 0.56 mm²

Crimp contact - RC-11P2000 - 1596770



Crimp contact, turned, Single contact, contact diameter: 1 mm, crimp range: 0.08 mm² ... 0.22 mm²

Device connector, front mounting - M23-12P1N8AA500S - 1628498

Accessories

Crimp contact - RC-1KP2000 - 1602996



Crimp contact, turned, Single contact, contact diameter: 1 mm, crimp range: 0.5 mm² ... 1 mm²

Crimp contact - RC-22P2400 - 1603325



Crimp contact, rolled, number of pieces per reel: 10000, contact diameter: 1 mm, crimp range: 0.22 mm² ... 0.56 mm²

Crimp contact - RC-22P2000 - 1603321



Crimp contact, rolled, Single contact, contact diameter: 1 mm, crimp range: 0.22 mm² ... 0.56 mm²

Crimp contact - RC-22P2300 - 1603324



Crimp contact, rolled, Taped articles, number of pieces per reel: 500, contact diameter: 1 mm, crimp range: 0.22 mm² ... 0.56 mm²

Mounting material

Screw - M23-Z0001 - 1035117



Anchor screw, self-tapping, for M23-PRO series angled device connectors

Protective cover

Device connector, front mounting - M23-12P1N8AA500S - 1628498

Accessories

Protective cap - RC-Z2059 - 1604225



Plastic protection cap for connectors with M23 external thread

Metal protective cap - RC-Z2104 - 1604260



Metal protection cap for signal connectors with M23 external thread

Phoenix Contact 2020 © - all rights reserved
<http://www.phoenixcontact.com>