

Device connector, front mounting - M23-5EP198AA600S - 1628485

Please be informed that the data shown in this PDF Document is generated from our Online Catalog. Please find the complete data in the user's documentation. Our General Terms of Use for Downloads are valid (<http://phoenixcontact.com/download>)



Device connector for front wall, M23 PRO, angled rotatable, for standard and ONECLICK fast locking system, M23, No. of pos.: 5+PE, type of contact: Pin, Crimp connection, flange dimensions: 28 mm x 28 mm

Your advantages

- Solutions with cross-manufacturer compatibility for standard and fast locking systems
- Reliable under the harshest conditions: cable connectors with vibration brake
- Modern, consistent design for highly convenient operation

Key Commercial Data

| | |
|--------------------------------------|---------------|
| Packing unit | 1 pc |
| GTIN | |
| GTIN | 4055626622163 |
| Weight per Piece (excluding packing) | 122.180 g |
| Sales Key | ABRCIL |

Technical data

Temperature range

| | |
|---------------------------------|-------------------|
| Ambient temperature (operation) | -40 °C ... 125 °C |
|---------------------------------|-------------------|

Data of the insulating body

| | |
|--|---|
| Note | Order information: Order crimp contacts 6 x Ø 2 mm separately |
| Insulator material | PA 6.6 |
| Contact connection method | Crimp connection |
| Type of contacts | Pin |
| Application | Power |
| Number of positions | 6 |
| Contact diameter of power contacts | 2 mm |
| Litz wire cross section of power contacts min. | 0.25 mm ² |
| Litz wire cross section of power contacts max. | 4 mm ² |

Device connector, front mounting - M23-5EP198AA600S - 1628485

Technical data

Data of the insulating body

| | |
|----------------------------------|-----------------------------------|
| Rated current for power contacts | 30 A |
| Additional text | for max. connection cross section |
| Rated voltage of power contact | 630 V |
| Rated surge voltage | 6 kV |
| Overvoltage category | III |
| Degree of pollution | 3 |
| Installation height | 2000 m |

Housing data

| | |
|--|---|
| Housing material | GD-Zn |
| Flange dimensions | 28 mm x 28 mm |
| Type of locking | for standard and ONECLICK fast locking system |
| Degree of protection (when plugged in) | IP66 / IP68 (2m / 24h) / IP69K |
| Thread type | M23 |

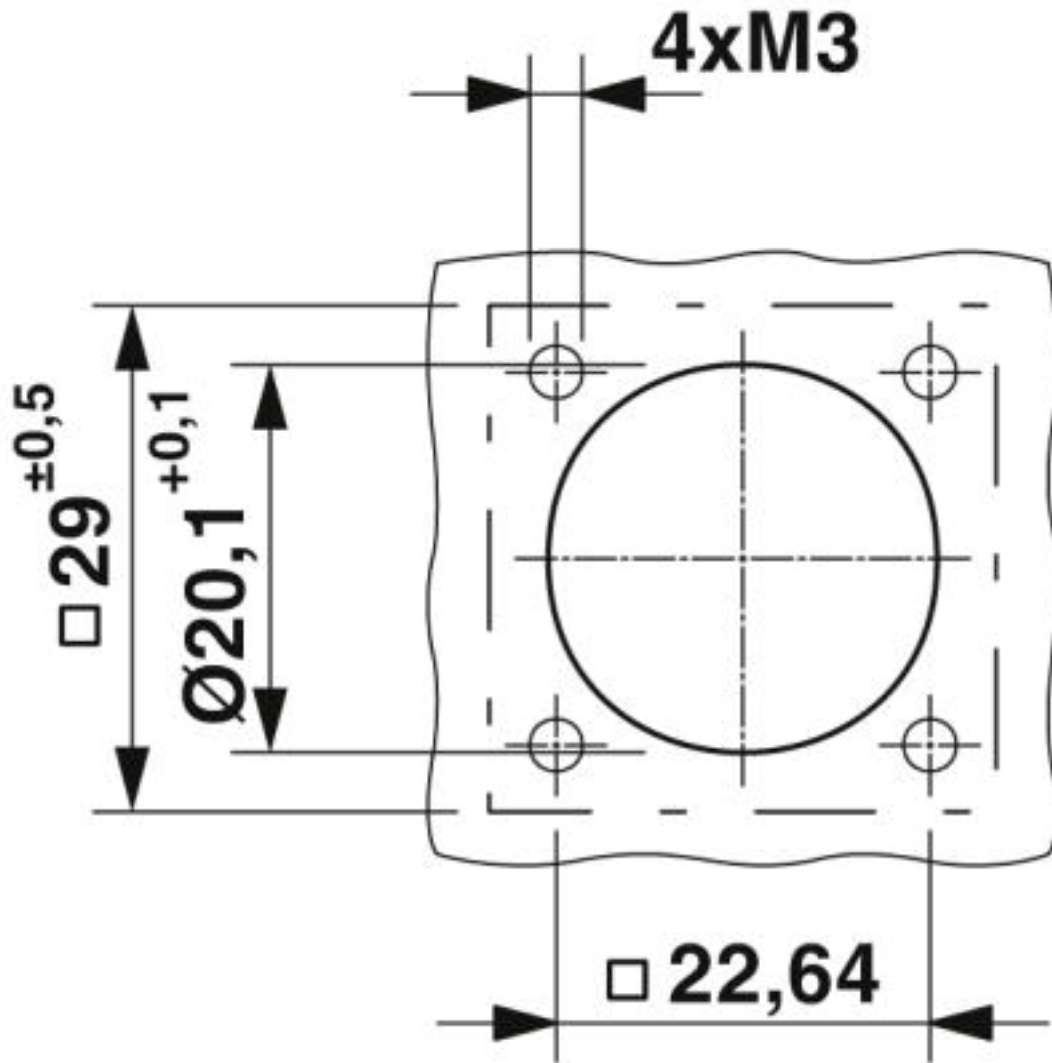
Environmental Product Compliance

| | |
|------------|---|
| China RoHS | Environmentally Friendly Use Period = 50 |
| | For details about hazardous substances go to tab "Downloads", Category "Manufacturer's declaration" |

Drawings

Device connector, front mounting - M23-5EP198AA600S - 1628485

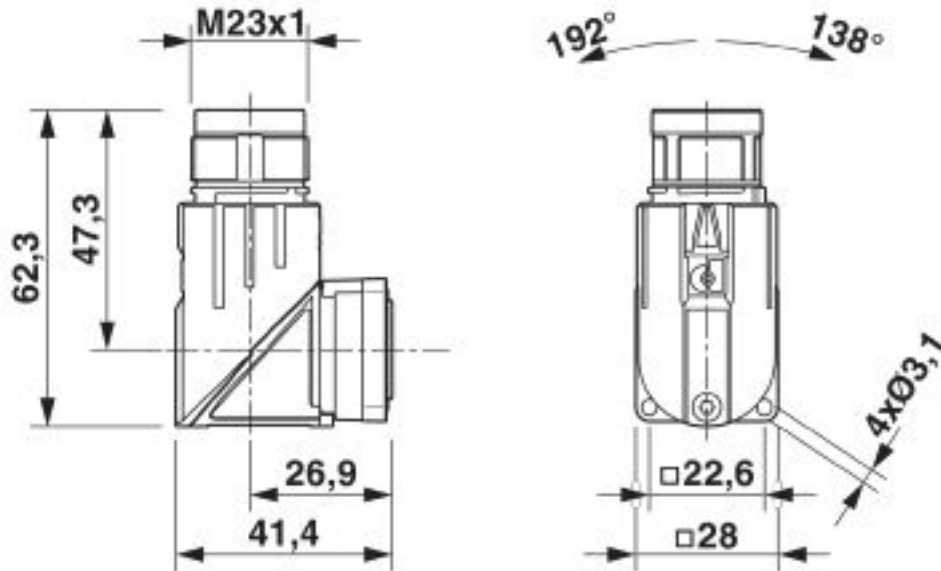
Dimensional drawing



Installation dimensions

Device connector, front mounting - M23-5EP198AA600S - 1628485

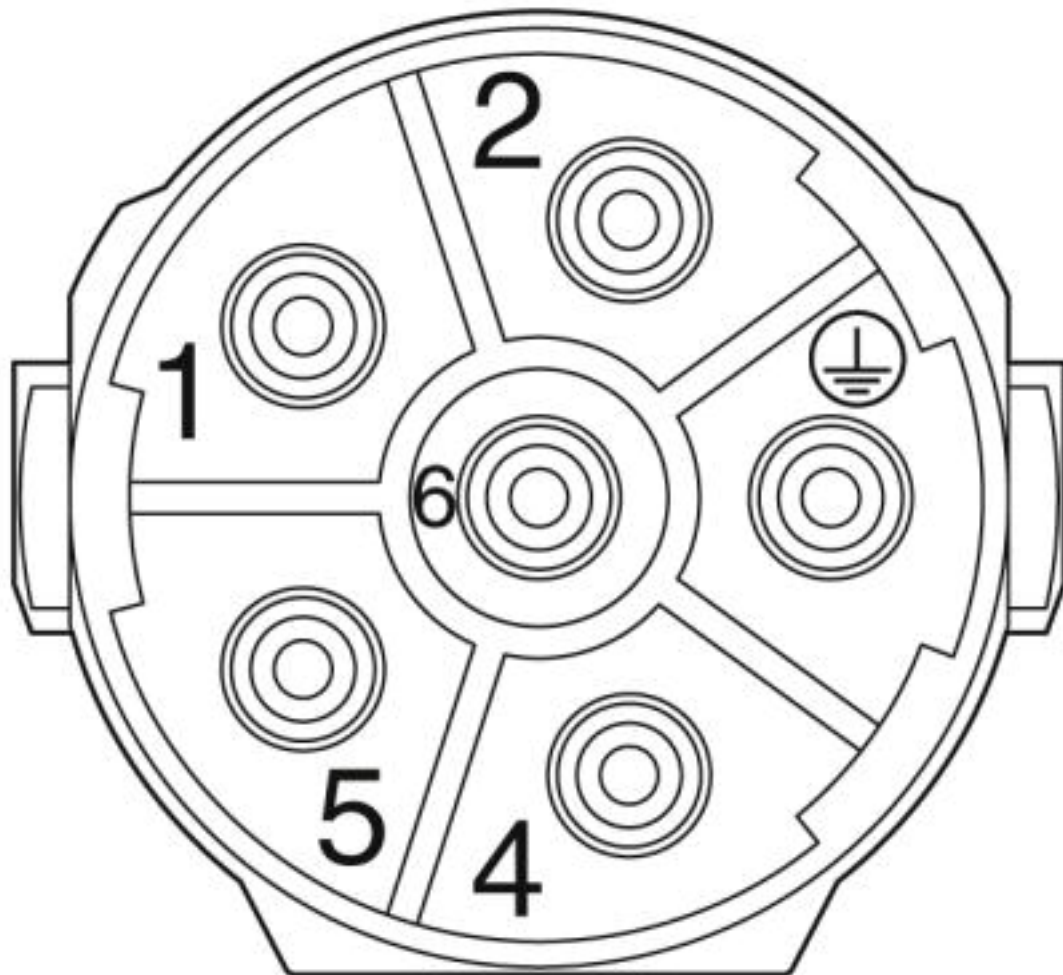
Dimensional drawing



Technical drawings can be found under Downloads

Device connector, front mounting - M23-5EP198AA600S - 1628485

Schematic diagram



Classifications

eCl@ss

| | |
|------------|----------|
| eCl@ss 8.0 | 27440102 |
| eCl@ss 9.0 | 27440103 |

ETIM

| | |
|----------|----------|
| ETIM 5.0 | EC002635 |
| ETIM 6.0 | EC002061 |

Approvals

Approvals

Approvals

UL Listed / cUL Listed / cULus Listed

Device connector, front mounting - M23-5EP198AA600S - 1628485

Approvals

Ex Approvals

Approval details

| | | |
|----------------------------|-------|--|
| UL Listed | | http://database.ul.com/cgi-bin/XYV/template/LISEXT/1FRAME/index.htm E468743-20190627 |
| Nominal voltage UN | 600 V | |
| Nominal current IN | 24 A | |
| mm ² /AWG/kcmil | 10 | |

| | | |
|----------------------------|-------|--|
| cUL Listed | | http://database.ul.com/cgi-bin/XYV/template/LISEXT/1FRAME/index.htm E468743-20190627 |
| Nominal voltage UN | 600 V | |
| Nominal current IN | 20 A | |
| mm ² /AWG/kcmil | 10 | |

| | |
|--------------|--|
| cULus Listed | |
|--------------|--|

Accessories

Accessories

Crimp contact

Crimp contact - SF-20KP011 - 1050147



Crimp contact, turned, contact diameter: 2 mm, crimp range: 0.25 mm² ... 1 mm²

Device connector, front mounting - M23-5EP198AA600S - 1628485

Accessories

Crimp contact - SF-20KP012 - 1050205



Crimp contact, turned, contact diameter: 2 mm, crimp range: 1.5 mm² ... 2.5 mm²

Crimp contact - SF-20KP013 - 1050210



Crimp contact, turned, contact diameter: 2 mm, crimp range: 2.5 mm² ... 4 mm²

Mounting material

Screw - M23-Z0001 - 1035117



Anchor screw, self-tapping, for M23-PRO series angled device connectors

Protective cover

Metal protective cap - SC-Z2319 - 1605456



Metal protection cap for power connectors with M23 external thread
