

UPW25B10RV ✓ ACTIVE

Neohm | Neohm UPW

TE Internal #: 1624322-4

Neohm UPW, Through-Hole Resistors, Precision Resistor, 9.53 x 4.75 mm, 2 Termination, Loose Piece - Box, .1 %, Wire Wound, Resistance Class Up to 1k Ω

[View on TE.com >](#)



Passive Components > Resistors > Through-Hole Resistors



Resistor Type: **Precision Resistor**

Passive Component Dimensions: **9.53 x 4.75 mm**

Number of Terminations: **2**

Packaging Method: **Loose Piece - Box**

Passive Component Tolerance: **.1 %**

Features

Product Type Features

Product Type	Fixed Resistor
Resistor Type	Precision Resistor
Element Type	Wire Wound

Configuration Features

Number of Resistors	1
---------------------	---

Electrical Characteristics

Voltage Rating	300 V
Passive Component Tolerance	.1 %
Resistance Class	Up to 1k Ω
Resistance Value	10 Ω
Power Rating	.25 W

Body Features

Passive Component Lead Type	Axial-Leaded
-----------------------------	--------------

Termination Features

Number of Terminations	2
Passive Component Termination Material Type	Tinned Copper Leads

Dimensions

Passive Component Dimensions	9.53 x 4.75 mm
------------------------------	----------------



Usage Conditions

Operating Temperature Range	-55 – 145 °C
Temperature Coefficient	±5 ppm/°C

Packaging Features

Packaging Method	Loose Piece - Box
------------------	-------------------

Product Compliance

[For compliance documentation, visit the product page on TE.com>](#)

EU RoHS Directive 2011/65/EU	Compliant
EU ELV Directive 2000/53/EC	Compliant
China RoHS 2 Directive MIIT Order No 32, 2016	No Restricted Materials Above Threshold
EU REACH Regulation (EC) No. 1907/2006	Current ECHA Candidate List: JAN 2022 (223) Candidate List Declared Against: JAN 2022 (223) Does not contain REACH SVHC
Halogen Content	Low Halogen - Br, Cl, F, I < 900 ppm per homogenous material. Also BFR/CFR/PVC Free
Solder Process Capability	Reflow solder capable to 260°C

Product Compliance Disclaimer

This information is provided based on reasonable inquiry of our suppliers and represents our current actual knowledge based on the information they provided. This information is subject to change. The part numbers that TE has identified as EU RoHS compliant have a maximum concentration of 0.1% by weight in homogenous materials for lead, hexavalent chromium, mercury, PBB, PBDE, DBP, BBP, DEHP, DIBP, and 0.01% for cadmium, or qualify for an exemption to these limits as defined in the Annexes of Directive 2011/65/EU (RoHS2). Finished electrical and electronic equipment products will be CE marked as required by Directive 2011/65/EU. Components may not be CE marked. Additionally, the part numbers that TE has identified as EU ELV compliant have a maximum concentration of 0.1% by weight in homogenous materials for lead, hexavalent chromium, and mercury, and 0.01% for cadmium, or qualify for an exemption to these limits as defined in the Annexes of Directive 2000/53/EC (ELV). Regarding the REACH Regulation, the information TE provides on SVHC in articles for this part number is based on the latest European Chemicals Agency (ECHA) 'Guidance on requirements for substances in articles' posted at this URL: <https://echa.europa.eu/guidance-documents/guidance-on-reach>

Compatible Parts



TE Part # 1-1624323-0
UPW50 0.1% 5PPM 250R



TE Part # 1624322-1
UPW25 0.1% 5PPM 100K



TE Part # 1624322-6
UPW25 0.1% 5PPM 250R



TE Part # 1624323-6
UPW50 0.1% 5PPM 1K0



TE Part # 1-1624323-4
UPW50 0.1% 5PPM 500R

Also in the Series | Neohm UPW



Through-Hole Resistors(31)

Customers Also Bought



TE Part #2081935-1
2.4MM JACK 4-HOLE FLANGE RECEPTACLE



TE Part #EC0069-000
05801929



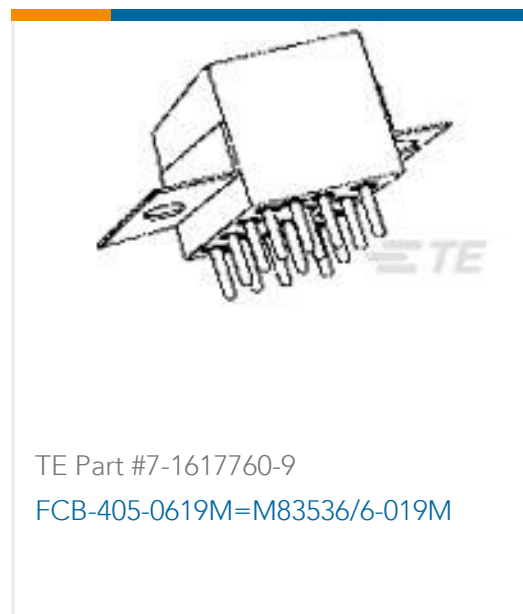
TE Part #YDTS24Z17-35PNV001
RECP ASSY



TE Part #185534-1
26pos MQS .63 header 90deg



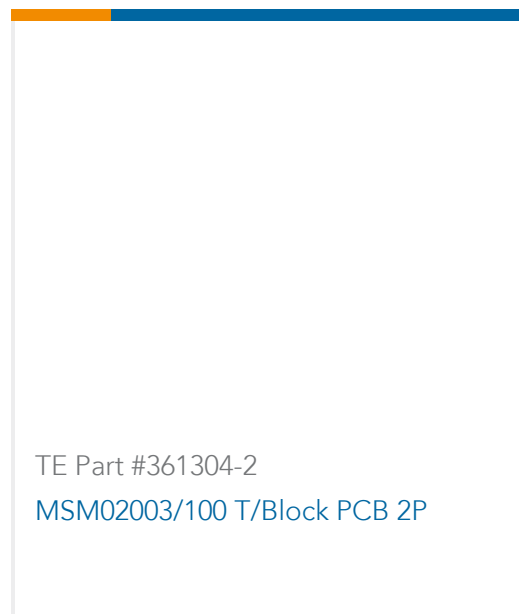
TE Part #6-146276-1
11 MODII HDR SRST B/A .100CL



TE Part #7-1617760-9
FCB-405-0619M=M83536/6-019M



TE Part #C351013001
RAY-90-5.0(100)



TE Part #361304-2
MSM02003/100 T/Block PCB 2P



Documents

CAD Files

3D PDF

3D

Customer View Model

[ENG_CVM_CVM_1624322-4_BA.2d_dxf.zip](#)

English

Customer View Model

[ENG_CVM_CVM_1624322-4_BA.3d_igs.zip](#)

English

Customer View Model

[ENG_CVM_CVM_1624322-4_BA.3d_stp.zip](#)

English

By downloading the CAD file I accept and agree to the [Terms and Conditions](#) of use.

Datasheets & Catalog Pages

[1309350_PASSIVE_COMPONENT](#)

English

[Ultra Precision Wire-Wound Resistors - Type UPW Series - Tyco Electronics Passives](#)

English