



Citec

TE Internal #: 1623894-2

TE Internal Description: 416P 1K

[View on TE.com >](#)

Passive Components > Resistors > Trimmer Potentiometers



Termination Method to Printed Circuit Board: **Through Hole - Solder**

Passive Component Lead Type: **Radial-Leaded**

Passive Component Dimensions: **8.1 x 6.8 x 3.5 mm**

Passive Component Tolerance: **.25 %**

Sealing Option: **Semi-Sealed**

Features

Product Type Features

Sealing Option	Semi-Sealed
Rotary Turn Type	Single Turn
Element Type	Cermet

Configuration Features

Number of Turns	1
Adjustment Location	Top
Adjustment Method	Cross Slot

Electrical Characteristics

Passive Component Tolerance	.25 %
Resistance Value	1K Ω
Power Rating	.2 W
Resistance Class	1k Ω – 1M Ω

Body Features

Passive Component Lead Type	Radial-Leaded
Product Orientation	Horizontal

Termination Features

Termination Method to Printed Circuit Board	Through Hole - Solder
---	-----------------------

Dimensions

Passive Component Dimensions	8.1 x 6.8 x 3.5 mm
------------------------------	--------------------

Usage Conditions

Temperature Coefficient	±250 ppm/°C
-------------------------	-------------

Product Compliance

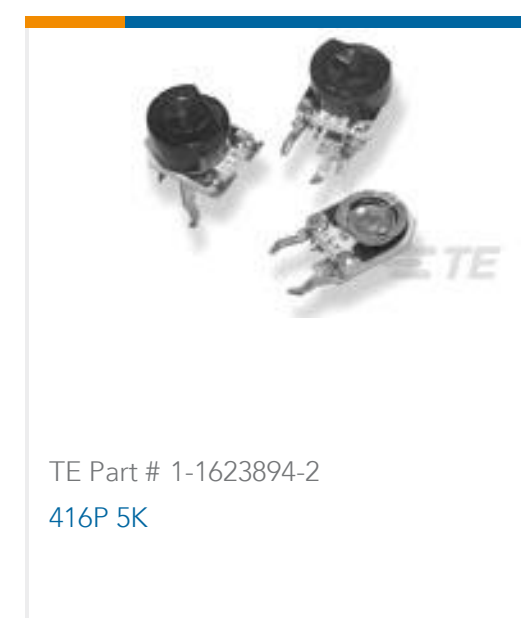
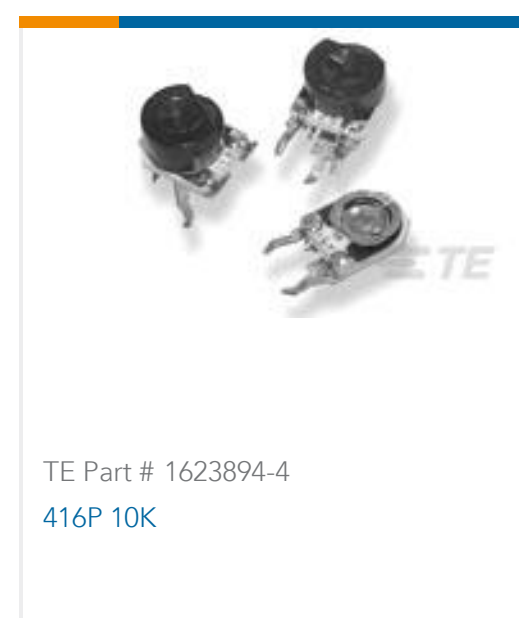
For compliance documentation, visit the product page on [TE.com](https://www.te.com)>

EU RoHS Directive 2011/65/EU	Compliant
EU ELV Directive 2000/53/EC	Compliant with Exemptions
China RoHS 2 Directive MIIT Order No 32, 2016	No Restricted Materials Above Threshold
EU REACH Regulation (EC) No. 1907/2006	Current ECHA Candidate List: JAN 2022 (223) Candidate List Declared Against: JUL 2021 (219) SVHC > Threshold: Not Yet Reviewed
Halogen Content	Not Yet Reviewed for halogen content
Solder Process Capability	Wave solder capable to 240°C

Product Compliance Disclaimer

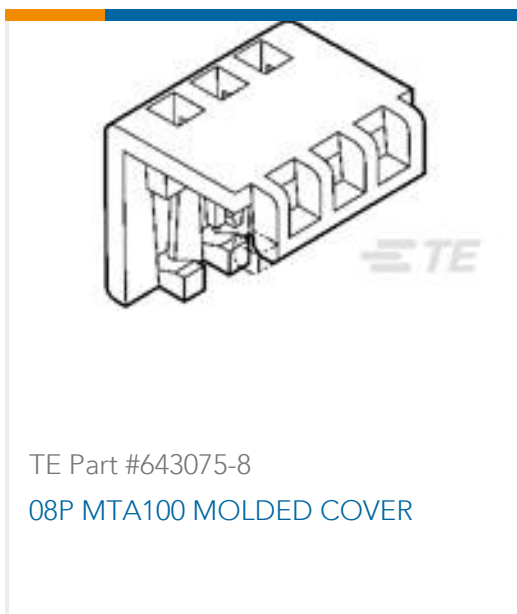
This information is provided based on reasonable inquiry of our suppliers and represents our current actual knowledge based on the information they provided. This information is subject to change. The part numbers that TE has identified as EU RoHS compliant have a maximum concentration of 0.1% by weight in homogenous materials for lead, hexavalent chromium, mercury, PBB, PBDE, DBP, BBP, DEHP, DIBP, and 0.01% for cadmium, or qualify for an exemption to these limits as defined in the Annexes of Directive 2011/65/EU (RoHS2). Finished electrical and electronic equipment products will be CE marked as required by Directive 2011/65/EU. Components may not be CE marked. Additionally, the part numbers that TE has identified as EU ELV compliant have a maximum concentration of 0.1% by weight in homogenous materials for lead, hexavalent chromium, and mercury, and 0.01% for cadmium, or qualify for an exemption to these limits as defined in the Annexes of Directive 2000/53/EC (ELV). Regarding the REACH Regulation, the information TE provides on SVHC in articles for this part number is based on the latest European Chemicals Agency (ECHA) 'Guidance on requirements for substances in articles' posted at this URL: <https://echa.europa.eu/guidance-documents/guidance-on-reach>

Compatible Parts





Customers Also Bought



Documents

Datasheets & Catalog Pages

[1309350_PASSIVE_COMPONENT](#)

English

Type 416 Series Economy Trimmers

English