



Passive Components > Resistors > Through-Hole Resistors > Wirewound Resistor: Vertical Mount



Resistor Type: **Power Resistor**

Number of Terminations: **2**

Packaging Method: **Loose Piece - Box**

Passive Component Accessory Type: **Supports - Power Resistor**

Element Type: **Wire Wound**

[All Wirewound Resistor: Vertical Mount \(166\)](#)

## Features

### Product Type Features

Product Type	Accessory
Resistor Type	Power Resistor
Passive Component Accessory Type	Supports - Power Resistor
Element Type	Wire Wound

### Configuration Features

Number of Resistors	1
---------------------	---

### Electrical Characteristics

Power Rating	17 W
--------------	------

### Body Features

Passive Component Lead Type	Axial-Leaded
-----------------------------	--------------

### Termination Features

Number of Terminations	2
Passive Component Termination Material Type	Tinned Plated Brass

### Usage Conditions

Operating Temperature Range	-55 – 350 °C
-----------------------------	--------------

### Packaging Features

Packaging Method	Loose Piece - Box
------------------	-------------------



## Product Compliance

[For compliance documentation, visit the product page on TE.com>](#)

EU RoHS Directive 2011/65/EU	Compliant
EU ELV Directive 2000/53/EC	Compliant
China RoHS 2 Directive MIIT Order No 32, 2016	No Restricted Materials Above Threshold
EU REACH Regulation (EC) No. 1907/2006	Current ECHA Candidate List: JAN 2022 (223) Candidate List Declared Against: JUL 2021 (219) SVHC > Threshold: Not Yet Reviewed
Halogen Content	Low Halogen - Br, Cl, F, I < 900 ppm per homogenous material. Also BFR/CFR/PVC Free
Solder Process Capability	Wave solder capable to 265°C

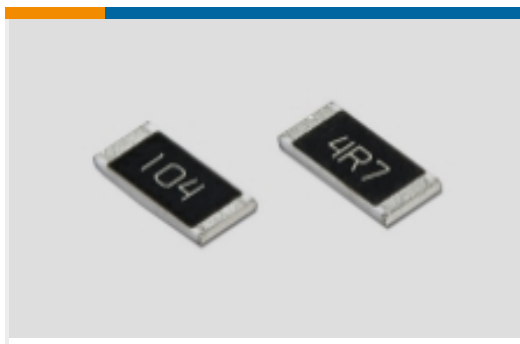
### Product Compliance Disclaimer

This information is provided based on reasonable inquiry of our suppliers and represents our current actual knowledge based on the information they provided. This information is subject to change. The part numbers that TE has identified as EU RoHS compliant have a maximum concentration of 0.1% by weight in homogenous materials for lead, hexavalent chromium, mercury, PBB, PBDE, DBP, BBP, DEHP, DIBP, and 0.01% for cadmium, or qualify for an exemption to these limits as defined in the Annexes of Directive 2011/65/EU (RoHS2). Finished electrical and electronic equipment products will be CE marked as required by Directive 2011/65/EU. Components may not be CE marked. Additionally, the part numbers that TE has identified as EU ELV compliant have a maximum concentration of 0.1% by weight in homogenous materials for lead, hexavalent chromium, and mercury, and 0.01% for cadmium, or qualify for an exemption to these limits as defined in the Annexes of Directive 2000/53/EC (ELV). Regarding the REACH Regulation, the information TE provides on SVHC in articles for this part number is based on the latest European Chemicals Agency (ECHA) 'Guidance on requirements for substances in articles' posted at this URL: <https://echa.europa.eu/guidance-documents/guidance-on-reach>

## Compatible Parts



Also in the Series | **CGS SBC**



Surface Mount Resistors(1)



Through-Hole Resistors(207)

## Customers Also Bought



TE Part #3-1625892-1  
3W SM M/OX 5% 220R



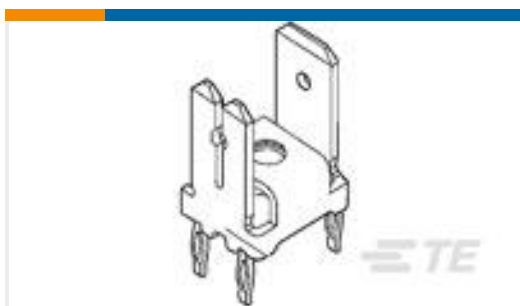
TE Part #292303-4  
Std USB Type A, R/A, T/H



TE Part #5-2176092-4  
RP 2A 0.25W 2K67 0.1% 25PPM 1K RL



TE Part #4-2176094-0  
RP 2A 0.25W 309K 0.1% 25PPM 1K RL



TE Part #216905-1  
POSITIVE LOCK POWER  
RECEPTACLE TPPHBRZ



TE Part #3-2176177-4  
CRGH0603 1% 82K 0.2W

## Documents

### Product Drawings

#### SUPPORT PILLARS

English

### Datasheets & Catalog Pages

#### 1309350\_PASSIVE\_COMPONENT

English

#### High Power Resistor - Type SBC (Square Ceramic) Series - Tyco Electronics Passives

English

#### 8-1773459-4\_POWER\_FILTERING\_AND\_RESISTIVE\_SOLUTIONS\_FOR\_ELEVATORS\_AND\_ESCALATORS

English