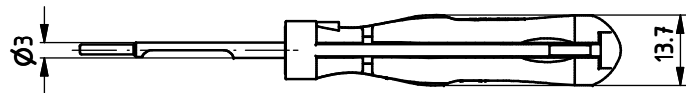
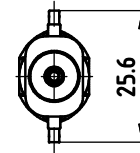
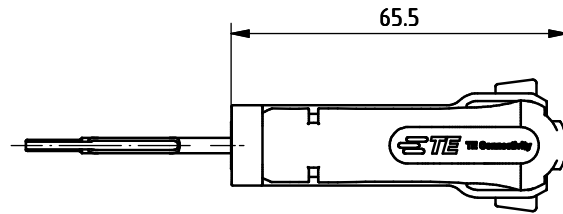
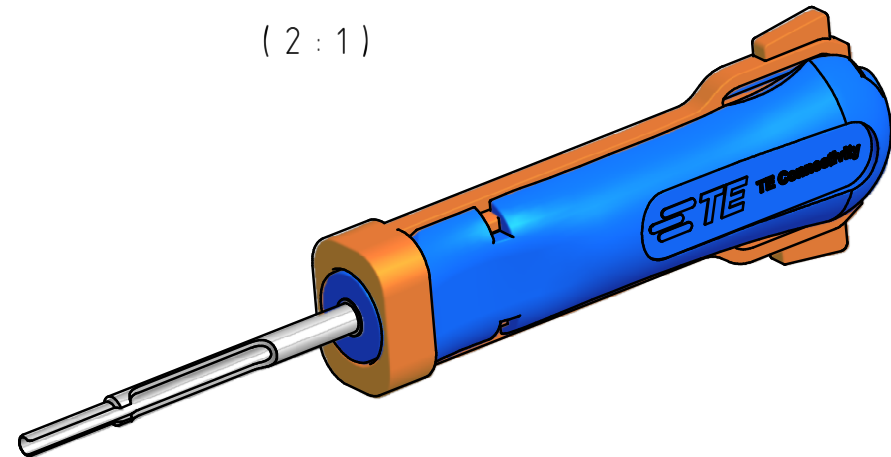
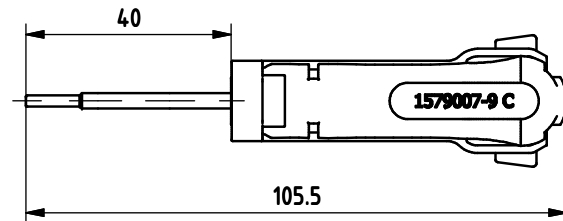


THIS DRAWING IS UNPUBLISHED. RELEASED FOR PUBLICATION
 © COPYRIGHT - BY TYCO ELECTRONICS CORPORATION. ALL INTERNATIONAL RIGHTS RESERVED.

LOC		DIST		REVISIONS			
P	LTR	DESCRIPTION		DATE	DWN	APVD	
	C	ECR-11-016417		08AUG11	LS	GS	



(2:1)



APPLICATION RANGE / Anwendungsbereich:

COSI PIN CONTACT HD20 DF, 24-20 AWG 166053-1
 24-20 AWG HD-20 SOCKET 166051-1
 SOCKET HOUSING HD

THIS DRAWING IS A CONTROLLED DOCUMENT.		DWN J. Zajicek 02APR03		
DIMENSIONS: mm		CHK J. Zajicek 28APR04		
TOLERANCES UNLESS OTHERWISE SPECIFIED:		APVD J. Zajicek 28APR04	NAME EXTRACTION TOOL Entriegelungswerkzeug	
0 PLC + 1 PLC + 2 PLC + 3 PLC + 4 PLC + ANGLES ±		PRODUCT SPEC	RESTRICTED TO	
MATERIAL		FINISH	SIZE A3	CAGE CODE 00779
		Gewicht / Weight in Kg 0,009	DRAWING NO C= 1579007-9	
		CUSTOMER DRAWING		SCALE 1:1
				SHEET 1 of 1
				REV C