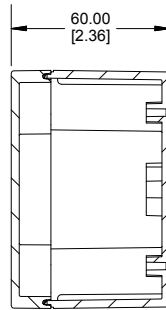
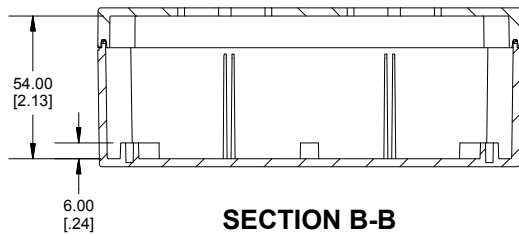
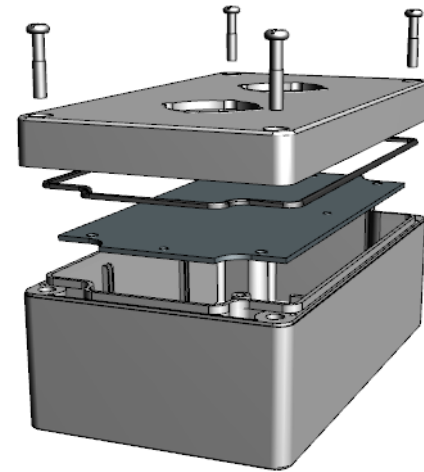


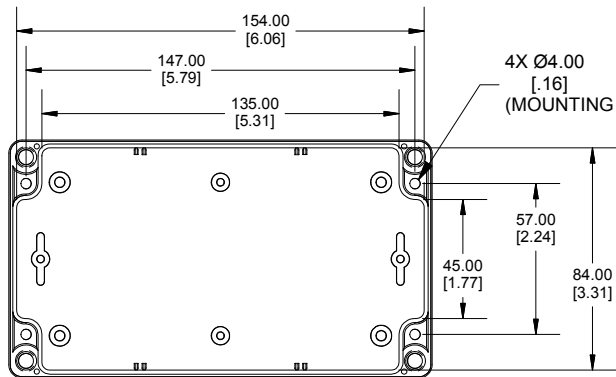
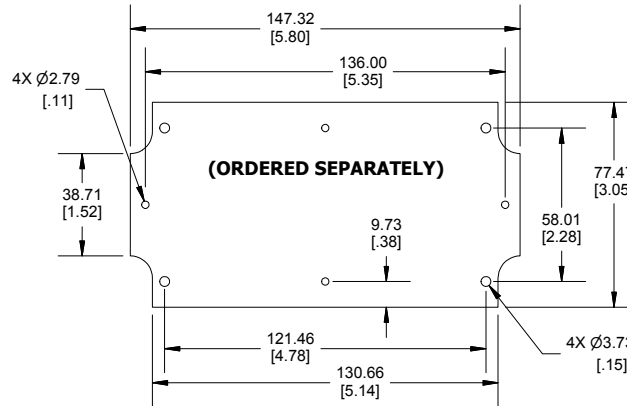
ASSEMBLY



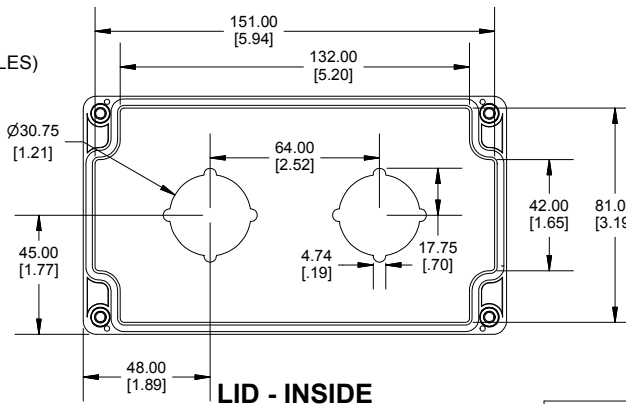
SECTION A-A



SECTION B-B



BOX - INSIDE



LID - INSIDE

POLYCARBONATE
VERSION ONLY



SEE ENCLOSURE 1554J
FOR MORE DETAIL

Enclosures can be Factory Modified (Milling, Drilling, Printing etc.)
Contact Factory mjm@hammondmfg.com for quotes
Solid models of this enclosure available in STEP or IGES.
(Part number and text placement/orientation on our products are subject to change,
we do not recommend using them as a locating reference for modification purposes)

NOTE

Purchased assembly includes box, lid, 4 cover screws, and preformed silicone gasket.
Polycarbonate version is UL 508A approved. (Matl UL94 - 5VA @ 3mm)
Lid accepts 30.5mm push buttons

Recommended Cover screw torque -- 43-57 ozf-in (30-40 cN-m)

1554PB	
1554PB Enclosure	
Polycarbonate RAL-7035	1554PB2
ACCESSORIES	
Steel Inner Panels	1554JPL
Steel Panel / P.C. Board (Pkg 100) [M3-0.5 x 8mm Plated]	1591MM100
Steel Panel / P.C. Board Self Tapping Screw [#6 X 1/4" (6.4mm) Plated] (Pkg 100)	1598ATS100
Cover Screws (Pkg 50) [M4-0.7 X 20mm Stainless Steel]	SC576-50



Dimensions:
mm
[inches]