

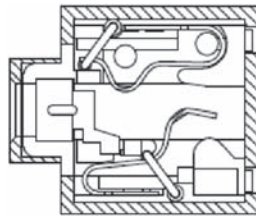
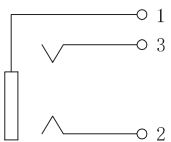
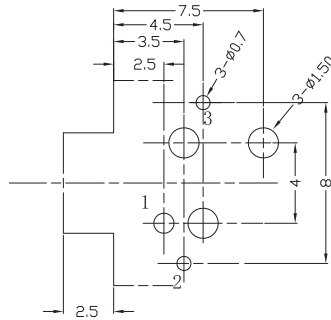
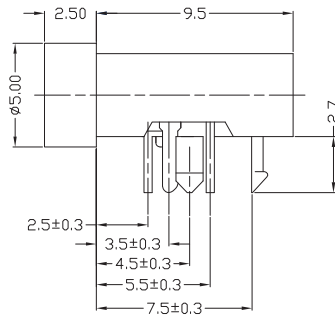
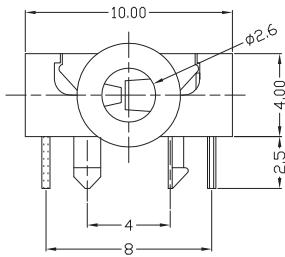
15

1501 13

## Jack connectors



Jack chassis socket acc. to JIS C 6560 JC25J3A, 2.5 mm, 3 poles/stereo, angular version, with metal collar, for printed circuit boards



#### Environmental conditions

Temperature range -16 °C/+65 °C

#### Materials

Insulating body PBT, V-0 according to UL94  
Contact spring CuSn, silver-plated  
Cover PC

#### Mechanical data

Mating cycles 5000  
Insertion force 2.9–29.4 N  
Withdrawal force 2.9–29.4 N

#### Electrical data (at T<sub>amb</sub> 20 °C)

Contact resistance ≤ 50 mΩ  
Rated current 1 A  
Rated voltage 12 V DC  
Insulation resistance ≥ 100 MΩ

#### Associated products

Counterparts  
☑ KLS 13

15

1501 13

Designation	Pole Number	PU (Pieces)	MDQ (Pieces)
1501 13	3	500	500

**Packaging:**

in bulk, in a cardboard box or a plastic bag