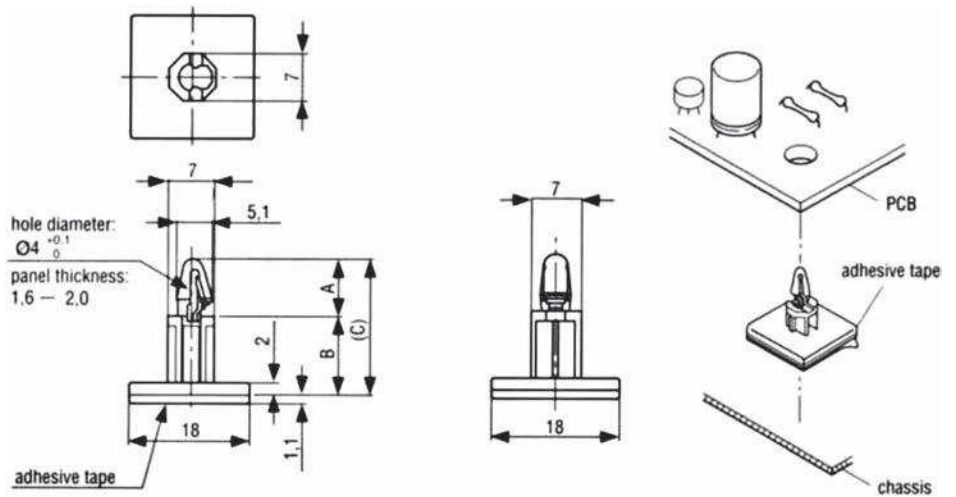


Locking Card Spacer



KGLS-M



Material:	Nylon 66 UL
Flame class:	94 V-2
Color:	Natural
Std. Package:	100 pcs.

Part No.	A mm	B mm	C mm
KGLS-4M	8.5	5.6	14.1
KGLS-6M		8.7	17.2
KGLS-8M		11.9	20.4

Dual Lock Support Post



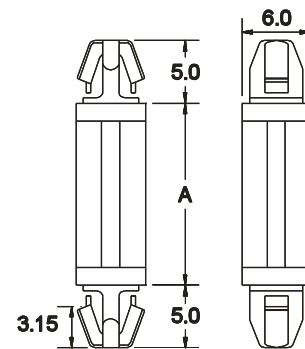
EMTQ

Top Hole:  
4.00±0.08mm

Panel Thickness:  
1.6mm

Bottom Hole:  
4.00±0.08mm

Panel Thickness:  
1.6mm



Part No.	A ±0.4mm
EMTQ1-3M	3
EMTQ1-4M	4
EMTQ1-6M	6
EMTQ1-8M	8
EMTQ1-10M	10
EMTQ1-12M	12
EMTQ1-14M	14
EMTQ1-16M	16
EMTQ1-18M	18

Material:	Nylon 66 (UL)
Flame class:	94 V-2
Color:	Natural
Std. Package:	1.000 pcs.