

RM78700 ✓ ACTIVE

SCHRACK | SCHRACK Accessories Power Relay RM

TE Internal #: 1419118-6

SCHRACK Accessories Power Relay RM, Relay Accessories, Sockets & Clips, Socket, Panel Mount, Power Relays, Chassis Mount, 3, Socket

[View on TE.com >](#)



Relays, Contactors & Switches > Relays > Relay Accessories, Sockets & Clips



Relay Accessory, Socket & Clip Product Type: **Socket**

Relay Accessory, Socket & Clip Socket Type: **Panel Mount**

Grounding Provision: **Without**

Relay Accessory, Socket & Clip For Use With: **Power Relays**

Relay Accessory, Socket & Clip Mounting Type: **Chassis Mount**

Features

Product Type Features

Terminal Configuration	Quick Connect
Relay Accessory, Socket & Clip Product Type	Socket
Relay Accessory Type	Socket

Configuration Features

Grounding Provision	Without
---------------------	---------

Contact Features

	1.46 in
Relay Accessory, Socket & Clip Socket Type	Panel Mount
Pole Configuration	3

Termination Features

Number of Pins	11
----------------	----

Mechanical Attachment

Relay Accessory, Socket & Clip Mounting Type	Chassis Mount
--	---------------

Operation/Application

Relay Accessory, Socket & Clip For Use With	Power Relays
---	--------------

Product Compliance

[For compliance documentation, visit the product page on TE.com>](#)



EU RoHS Directive 2011/65/EU	Compliant
EU ELV Directive 2000/53/EC	Not Yet Reviewed
China RoHS 2 Directive MIIT Order No 32, 2016	No Restricted Materials Above Threshold
EU REACH Regulation (EC) No. 1907/2006	Current ECHA Candidate List: JAN 2022 (223) Candidate List Declared Against: JAN 2019 (197) SVHC > Threshold: Not Yet Reviewed
Halogen Content	Low Halogen - Br, Cl, F, I < 900 ppm per homogenous material. Also BFR/CFR/PVC Free
Solder Process Capability	Not applicable for solder process capability

Product Compliance Disclaimer

This information is provided based on reasonable inquiry of our suppliers and represents our current actual knowledge based on the information they provided. This information is subject to change. The part numbers that TE has identified as EU RoHS compliant have a maximum concentration of 0.1% by weight in homogenous materials for lead, hexavalent chromium, mercury, PBB, PBDE, DBP, BBP, DEHP, DIBP, and 0.01% for cadmium, or qualify for an exemption to these limits as defined in the Annexes of Directive 2011/65/EU (RoHS2). Finished electrical and electronic equipment products will be CE marked as required by Directive 2011/65/EU. Components may not be CE marked. Additionally, the part numbers that TE has identified as EU ELV compliant have a maximum concentration of 0.1% by weight in homogenous materials for lead, hexavalent chromium, and mercury, and 0.01% for cadmium, or qualify for an exemption to these limits as defined in the Annexes of Directive 2000/53/EC (ELV). Regarding the REACH Regulations, TE's information on SVHC in articles for this part number is still based on the European Chemical Agency (ECHA) 'Guidance on requirements for substances in articles' (Version: 2, April 2011), applying the 0.1% weight on weight concentration threshold at the finished product level. TE is aware of the European Court of Justice ruling of September 10th, 2015 also known as O5A (Once An Article Always An Article) stating that, in case of 'complex object', the threshold for a SVHC must be applied to both the product as a whole and simultaneously to each of the articles forming part of its composition. TE has evaluated this ruling based on the new ECHA "Guidance on requirements for substances in articles" (June 2017, version 4.0) and will be updating its statements accordingly.

Compatible Parts



Also in the Series | [SCHRACK Accessories Power Relay RM](#)



Relay Accessories, Sockets & Clips(5)

Customers Also Bought



TE Part #640250-5
3.96mm Wire-to-board housing: receptacle, with mating alignment, SL 156



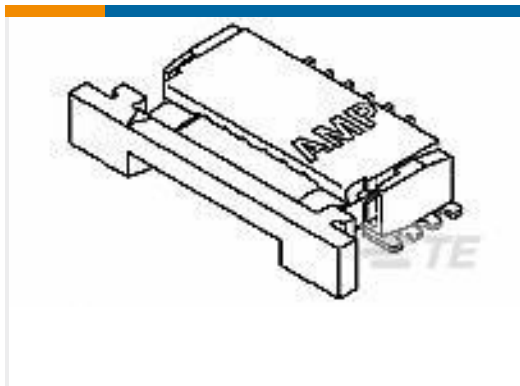
TE Part #2-1393844-5
RM78705



TE Part #2-1393844-3
RM78702



TE Part #1981584-1
MICRO USB, TYPE A/B, GRAY



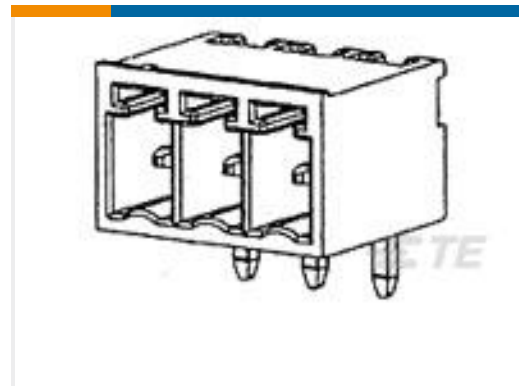
TE Part #84952-6
1MM FPC HORZ.BTTM CONT.ASS.6P



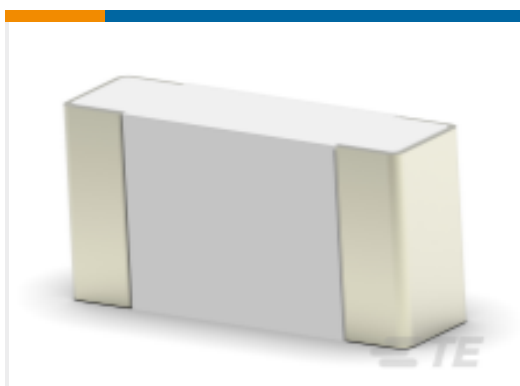
TE Part #3-2176326-0
CRGP 0603 2K7 1%



TE Part #5053242048
RNF-100-3/4-0-STK



TE Part #284512-3
3 POS TERMI-BLOK HDR 900 POLAR



TE Part #4-2176243-7
CRGS0603 5% 6K8

Documents

CAD Files

[3D PDF](#)

[3D](#)

Customer View Model

[ENG_CVM_CVM_1419118-6_A1.2d_dxf.zip](#)

English

Customer View Model

[ENG_CVM_CVM_1419118-6_A1.3d_igs.zip](#)



English

Customer View Model

[ENG_CVM_CVM_1419118-6_A1.3d_stp.zip](#)

English

By downloading the CAD file I accept and agree to the [Terms and Conditions](#) of use.

Datasheets & Catalog Pages

[Power Relay RM2/3/7](#)

English

[Accessories - Power Relay RM](#)

English

Product Specifications

[Definitions, Handling, Processing, Testing and Use of Relays](#)

English