



Raychem

TE Internal #: 141653-000

Bushings & Bobbins, Molded Part, 25, Width 23 mm [.91 in],
 Bobbins, Modified Elastomer, Flexible, Adhesive Purchased Separately

[View on TE.com >](#)

Wire Protection & Management > Heat Shrink Molded Shapes > Bushings & Bobbins



Bushings & Bobbins Product Type: **Molded Part**

Material Systems Code: **25**

Product Width: **23 mm [.91 in]**

Molded Part Type: **Bobbins**

Primary Product Material: **Modified Elastomer**

Features

Product Type Features

Size Code	21
Bushings & Bobbins Product Type	Molded Part
Molded Part Type	Bobbins

Configuration Features

Adhesive Requirement	Adhesive Purchased Separately
----------------------	-------------------------------

Body Features

Heat Shrink Component Accessory Color	Black
Material Code	25
Material Systems Code	25
Primary Product Material	Modified Elastomer
Pliancy	Flexible

Dimensions

Product Width	23 mm [.91 in]
Expanded Inside Diameter (Min)	10 mm [.39 in]
Recovered Inside Diameter (Max)	3 mm [.12 in]

Usage Conditions

Operating Temperature Range	-75 – 150 °C
-----------------------------	--------------

Industry Standards



Government Qualified	No
----------------------	----

Other

Adhesive Code	S1017, S1048, S1125
---------------	---------------------

Product Compliance

[For compliance documentation, visit the product page on TE.com>](#)

EU RoHS Directive 2011/65/EU	Compliant
EU ELV Directive 2000/53/EC	Compliant
China RoHS 2 Directive MIIT Order No 32, 2016	No Restricted Materials Above Threshold
EU REACH Regulation (EC) No. 1907/2006	Current ECHA Candidate List: JAN 2022 (223) Candidate List Declared Against: JAN 2022 (223) Does not contain REACH SVHC
Halogen Content	Not Low Halogen - contains Br or Cl > 900 ppm.
Solder Process Capability	Not applicable for solder process capability

Product Compliance Disclaimer

This information is provided based on reasonable inquiry of our suppliers and represents our current actual knowledge based on the information they provided. This information is subject to change. The part numbers that TE has identified as EU RoHS compliant have a maximum concentration of 0.1% by weight in homogenous materials for lead, hexavalent chromium, mercury, PBB, PBDE, DBP, BBP, DEHP, DIBP, and 0.01% for cadmium, or qualify for an exemption to these limits as defined in the Annexes of Directive 2011/65/EU (RoHS2). Finished electrical and electronic equipment products will be CE marked as required by Directive 2011/65/EU. Components may not be CE marked. Additionally, the part numbers that TE has identified as EU ELV compliant have a maximum concentration of 0.1% by weight in homogenous materials for lead, hexavalent chromium, and mercury, and 0.01% for cadmium, or qualify for an exemption to these limits as defined in the Annexes of Directive 2000/53/EC (ELV). Regarding the REACH Regulation, the information TE provides on SVHC in articles for this part number is based on the latest European Chemicals Agency (ECHA) 'Guidance on requirements for substances in articles' posted at this URL: <https://echa.europa.eu/guidance-documents/guidance-on-reach>

Compatible Parts

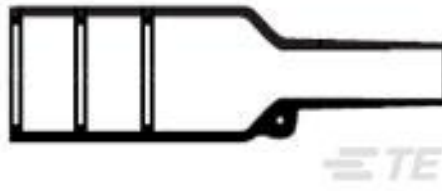


TE Part # 657863-000
S1125-KIT-8



TE Part # CJ2087-000
HL2010E-KIT-120V

Customers Also Bought

TE Part #878508-000
202K163-25-02-0



TE Part #134462-1
TERM, RING, STRAT, HR, SOLIS, 2, M6 (1/4)




TE Part #323169
STRATO-THERM, R, HR, 6, #10, NIPL




TE Part #1577638-1
TERMINAL RT PIDG PEEK STRATO 14-12 AWG



TE Part #1577648-1
TERMINAL RT PIDG PEEK STRATO 10 AWG



TE Part #026831-000
202W302-25-0



TE Part #323170
TERMINAL, SOLIS R HR 6 1/4



TE Part #150453
TERM, RT, STRAT, SOLIS, HR, 2, M8(5/16)

TE Part #7788694001
DR-25-1/2-0-CS-115106

TE Part #1736634001
DR-25-1/4-0-CS-115104

Documents

Product Drawings

[202W321-25-0](#)

English

Datasheets & Catalog Pages

[1654025_Sec4_-25](#)

English

Raychem Molded Parts Visual Guide

English

Product Specifications

[Product Specification](#)

English

Product Environmental Compliance

[Safety Datasheet](#)

[Safety Datasheet](#)

[Safety Datasheet](#)

English



[Safety Datasheet](#)

French

[Safety Datasheet](#)

German

[Safety Datasheet](#)

[Safety Datasheet](#)

[Safety Datasheet](#)

[Safety Datasheet](#)