



Product Compliance

[For compliance documentation, visit the product page on TE.com>](#)

EU RoHS Directive 2011/65/EU	Compliant
EU ELV Directive 2000/53/EC	Compliant
China RoHS 2 Directive MIIT Order No 32, 2016	No Restricted Materials Above Threshold
EU REACH Regulation (EC) No. 1907/2006	Current ECHA Candidate List: JAN 2022 (223) Candidate List Declared Against: JAN 2022 (223) Does not contain REACH SVHC
Halogen Content	Low Halogen - Br, Cl, F, I < 900 ppm per homogenous material. Also BFR/CFR/PVC Free
Solder Process Capability	Not applicable for solder process capability

Product Compliance Disclaimer

This information is provided based on reasonable inquiry of our suppliers and represents our current actual knowledge based on the information they provided. This information is subject to change. The part numbers that TE has identified as EU RoHS compliant have a maximum concentration of 0.1% by weight in homogenous materials for lead, hexavalent chromium, mercury, PBB, PBDE, DBP, BBP, DEHP, DIBP, and 0.01% for cadmium, or qualify for an exemption to these limits as defined in the Annexes of Directive 2011/65/EU (RoHS2). Finished electrical and electronic equipment products will be CE marked as required by Directive 2011/65/EU. Components may not be CE marked. Additionally, the part numbers that TE has identified as EU ELV compliant have a maximum concentration of 0.1% by weight in homogenous materials for lead, hexavalent chromium, and mercury, and 0.01% for cadmium, or qualify for an exemption to these limits as defined in the Annexes of Directive 2000/53/EC (ELV). Regarding the REACH Regulation, the information TE provides on SVHC in articles for this part number is based on the latest European Chemicals Agency (ECHA) 'Guidance on requirements for substances in articles' posted at this URL: <https://echa.europa.eu/guidance-documents/guidance-on-reach>

Compatible Parts





TE Part # 2151388-1
OCEAN_2.0_Applicator-S-062F1200



TE Part # 2836345-1
OCEAN_2.0_Applicator-S-055F1200



TE Part # 8-1393476-0
PIN HEADER 80P WITH PIN GUIDE



TE Part # 1393454-5
V23542C1028Z300=ABDECKK 28PDIC

TE Part # 1412493-1
C23372A 13C310=28 POL KUL.NUT

TE Part # 1412495-1
C23372A 13C330=28 POL RADIALD

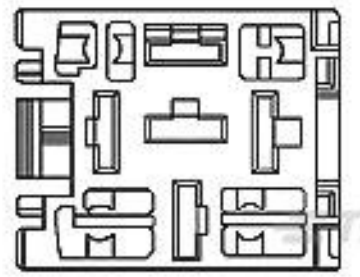
TE Part # 1412753-1
C23372A 13C320=28 POL SICHER.

TE Part # 4-1411572-1
ELOGEDR X5600Y75

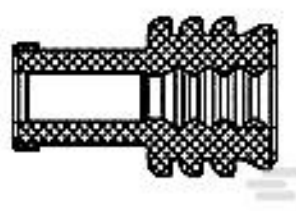
Customers Also Bought



TE Part #1393450-5
V23542C1052B300=KABELBAUMST 80



TE Part #280289-5
MODULAR RELAY CONN.



TE Part #1393457-4
V23540M1000Z110=DICHTTULLE (F1



TE Part #2-1411573-1
ELOGED F5700Y75



TE Part #1338692-2
ANVIL



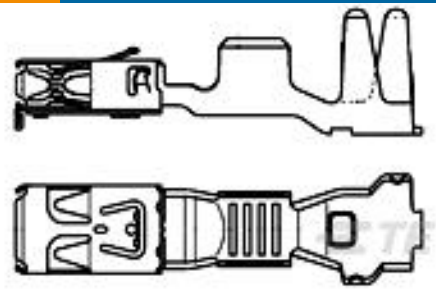
TE Part #7-2151835-7
OCEAN_2.0_SPARE_PART_KIT-055F0700



TE Part #1393454-9
V23542C1052Z300=ABDECKK 52PDIC



TE Part #1393454-5
V23542C1028Z300=ABDECKK 28PDIC



TE Part #1411594-1
ELOP2,8 F6000Y 65



TE Part #926982-1
CI 2 STIFT

Documents



Product Drawings

[V23542C1028B300=KABELBAUMST. 8](#)

English

[V23542C1028B300=KABELBAUMST. 8](#)

English

CAD Files

Customer View Model

[ENG_CVM_CVM_1393436-4_A.2d_dxf.zip](#)

English

3D PDF

3D

Customer View Model

[ENG_CVM_CVM_1393436-4_A.3d_igs.zip](#)

English

Customer View Model

[ENG_CVM_CVM_1393436-4_A.3d_stp.zip](#)

English

By downloading the CAD file I accept and agree to the [Terms and Conditions](#) of use.