

W58-XB1A4A-12 ✓ ACTIVE

Potter & Brumfield | Potter & Brumfield W58

TE Internal #: 1393249-8

Circuit Breakers, Thermal, Series Trip, White with Red Rate Marking, Red Trip Band Button Color, 250 VAC Voltage Rating AC, Potter & Brumfield W58

[View on TE.com >](#)



Relays, Contactors & Switches > Circuit Breakers



Circuit Breaker Type: **Thermal**

Circuit Function: **Series Trip**

Illuminated: **No**

Button Color: **White with Red Rate Marking, Red Trip Band**

Voltage Rating AC: **250 VAC**

Features

Product Type Features

| | |
|----------------------|-----------------|
| Illumination Type | No Light |
| Product Type | Circuit Breaker |
| Actuator Type | Push to Reset |
| Circuit Breaker Type | Thermal |
| Illuminated | No |

Configuration Features

| | |
|------------------|-------------------------|
| | .44 – .45 (Diameter) in |
| Earthing Switch | Without |
| Circuit Function | Series Trip |

Electrical Characteristics

| | |
|--------------------------------|---------------------------------|
| Voltage Rating AC | 250 VAC |
| Voltage Rating DC | 50 VDC |
| Circuit Breaker Current Rating | 12 A |
| Interrupt Capacity | 2000A @ 50VDC or 1000A @ 250VAC |

Body Features

| | |
|--------------|--|
| Button Color | White with Red Rate Marking, Red Trip Band |
|--------------|--|

Contact Features

| | |
|--|--|
| | |
|--|--|



| | |
|--------------------|----------------|
| Pole Configuration | 1 |
| Trip Time at 200% | 6 – 30 seconds |

Termination Features

| | |
|----------------------------------|---------------------------------------|
| Circuit Breaker Termination Type | 6.35 [.25] Straight Quick Connect Tab |
|----------------------------------|---------------------------------------|

Mechanical Attachment

| | |
|-------------------------------|-------------------------|
| Mounting Hardware Packaging | Assembled to Bushing |
| Mounting Options | Knurled Nut/Hex Nut |
| Mounting Bushing | 7/16 x .5 [12.7mm] Long |
| Circuit Breaker Mounting Type | Panel Mount |

Product Compliance

[For compliance documentation, visit the product page on TE.com>](#)

| | |
|---|--|
| EU RoHS Directive 2011/65/EU | Compliant with Exemptions |
| EU ELV Directive 2000/53/EC | Not Compliant |
| China RoHS 2 Directive MIIT Order No 32, 2016 | Restricted Materials Above Threshold |
| EU REACH Regulation (EC) No. 1907/2006 | Current ECHA Candidate List: JAN 2022 (223) Candidate List Declared Against: JAN 2021 (211) SVHC > Threshold: Cadmium oxide (7.95% in contact) Article Safe Usage Statements: Use personal protective equipment as required. Do not eat, drink or smoke when using this product. Recycle if possible and dispose of the article by following all applicable governmental regulations relevant to your geographic location. |
| Halogen Content | Low Halogen - Br, Cl, F, I < 900 ppm per homogenous material. Also BFR/CFR/PVC Free |
| Solder Process Capability | Not applicable for solder process capability |

Product Compliance Disclaimer

This information is provided based on reasonable inquiry of our suppliers and represents our current actual knowledge based on the information they provided. This information is subject to change. The part numbers that TE has identified as EU RoHS compliant have a maximum concentration of 0.1% by weight in homogenous materials for lead, hexavalent chromium, mercury, PBB, PBDE, DBP, BBP, DEHP, DIBP, and 0.01% for cadmium, or qualify for an exemption to these limits as defined in the Annexes of Directive 2011/65/EU (RoHS2). Finished electrical and electronic equipment products will be CE marked as required by Directive 2011/65/EU. Components may not be CE marked. Additionally, the part numbers that TE has identified as EU ELV compliant have a maximum concentration of 0.1% by weight in homogenous materials for lead, hexavalent chromium, and mercury, and 0.01% for cadmium, or qualify for an exemption to these limits as defined in the Annexes of Directive 2000/53/EC (ELV). Regarding the REACH Regulation, the information TE provides on SVHC in articles for this part number is based on the latest European Chemicals Agency (ECHA) 'Guidance on requirements for substances in articles' posted at this URL: <https://echa.europa.eu/guidance-documents/guidance-on-reach>

Compatible Parts

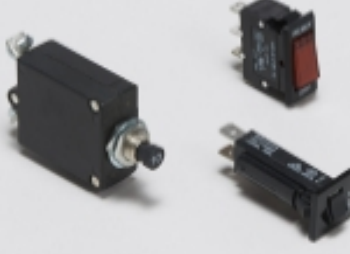


TE Part # 175022-1
250 PL EX REC. 18-14AWG PTBR

TE Part # 1393160-1
55-010A=NUT,.438-28,KNURL,.625

TE Part # 1393160-3
88-021B=WASHER,LOCK,SPRSTL,.44

Also in the Series | Potter & Brumfield W58



Circuit Breakers(30)

Customers Also Bought



TE Part #2-1393030-0
SSRT SRS,PANEL MNT, 25A,240V AC-AC I/P



TE Part #208714-1
CMC PLUG ASSEMBLY,SZ 14-7




TE Part #1-1393249-1
W58-XB1A4A-2=W58



TE Part #1-1393249-2
W58-XB1A4A-20=W58



TE Part #1-1393249-4
W58-XB1A4A-3=W58



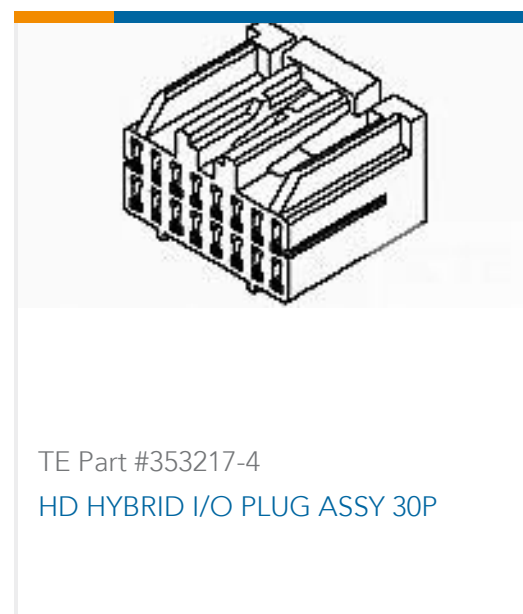
TE Part #328890
SPLICE,CE 22-16



TE Part #179417-1
040-2 REC CONTACT S L/P 22-18



TE Part #1-1393249-8
W58-XB1A4A-4=W58



Documents

CAD Files

[3D PDF](#)

[3D](#)

Customer View Model

[ENG_CVM_CVM_1393249-8_K.2d_dxf.zip](#)

English

Customer View Model

[ENG_CVM_CVM_1393249-8_K.3d_igs.zip](#)

English

Customer View Model

[ENG_CVM_CVM_1393249-8_K.3d_stp.zip](#)

English

By downloading the CAD file I accept and agree to the [Terms and Conditions](#) of use.

Datasheets & Catalog Pages

[W58 Push To Reset Only Thermal Circuit Breaker](#)

English

[Industrial Relays Quick Reference Guide](#)

English

[Industrial Relays Quick Reference Guide](#)

Japanese

[Industrial Relays Quick Reference Guide](#)

[Flyer - UL1500 Ignition Protected Circuit Breakers](#)

English