

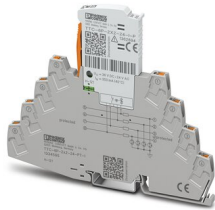
Surge protection device - TTC-6P-2X2-24-PT-I



1334595

<https://www.phoenixcontact.com/gb/products/1334595>

Please be informed that the data shown in this PDF document is generated from our Online Catalog. Please find the complete data in the user documentation. Our General Terms of Use for Downloads are valid.



Surge protection, consisting of protective plug and base element, with integrated status indicator for two 2-wire floating signal circuits, e.g., two 0(4) ... 20 mA current loops.

Your advantages

- Efficient use of space: the narrowest pluggable surge protection solution for 4-conductor applications
- Easy function monitoring: on-site or optionally via remote signaling, with optical monitoring, without additional effort
- Servicing without affecting the signal: replace the surge protection module without affecting the measuring signal
- Flexible choice: Push-in Technology or screw connection

Commercial Data

Item number	1334595
Packing unit	1 pc
Minimum order quantity	1 pc
Sales Key	CL2162
Product Key	CL2162
GTIN	4063151633554
Weight per Piece (including packing)	50.1 g
Weight per Piece (excluding packing)	32.62 g
Customs tariff number	85363010
Country of origin	DE

Surge protection device - TTC-6P-2X2-24-PT-I

1334595

<https://www.phoenixcontact.com/gb/products/1334595>

Technical Data

Product properties

IEC test classification	C1
	C2
	C3
	D1
Type	DIN rail module, two-section, divisible
Product type	Surge protection for MCR technology

Insulation characteristics

Overvoltage category	III
Pollution degree	2

Connection data

Connection method	Push-in connection
Conductor cross section flexible	0.2 mm ² ... 2.5 mm ²
Conductor cross section solid	0.2 mm ² ... 4 mm ²
Conductor cross section AWG	24 ... 12

Dimensions

Dimensional drawing	
Width	6.2 mm +0.1 mm
Height	125 mm
Depth	100 mm (incl. DIN rail 7.5 mm)

Material specifications

Color	traffic grey A RAL 7042
	light grey RAL 7035
Flammability rating according to UL 94	V-0
Insulating material	PBT
Housing material	PBT

Mechanical properties

Mechanical data

Open side panel	No
-----------------	----

Protective circuit

Maximum continuous voltage U_C	36 V DC
	26 V AC

Surge protection device - TTC-6P-2X2-24-PT-I



1334595

<https://www.phoenixcontact.com/gb/products/1334595>

Rated current	300 mA (40 °C)
Operating effective current I_C at U_C	$\leq 5 \mu\text{A}$
Residual current I_{PE}	$\leq 5 \mu\text{A}$
Nominal discharge surge current I_n (8/20) μs (Core-Earth)	8 kA
Pulse discharge current I_{imp} (10/350) μs (line-earth)	1 kA
Total discharge current I_{total} (8/20) μs	15 kA
Voltage protection level U_p (line-line)	$\leq 80 \text{ V}$ (C1 - 1 kV / 500 A)
	$\leq 160 \text{ V}$ (C2 - 10 kV / 5 kA)
	$\leq 55 \text{ V}$ (C3 - 25 A)
Voltage protection level U_p (line-earth)	$\leq 950 \text{ V}$ (C1 - 1 kV / 500 A)
	$\leq 850 \text{ V}$ (C2 - 10 kV / 5 kA)
	$\leq 700 \text{ V}$ (C3 - 25 A)
Response time t_A (line-line)	$\leq 1 \text{ ns}$
Response time t_A (line-earth)	$\leq 100 \text{ ns}$
Input attenuation aE, sym.	typ. 0.3 dB ($\leq 200 \text{ kHz} / 150 \Omega$)
Cut-off frequency f_g (3 dB), sym. in 150 Ω system	$> 900 \text{ kHz}$
Capacity (Core-Core)	typ. 2 nF
Resistance per path	3.3 $\Omega \pm 20 \%$
Surge protection fault message	optical
Max. required back-up fuse	315 mA (FF)
Impulse durability (line-line)	C1 - 1 kV / 500 A
	C2 - 10 kV / 5 kA
	C3 - 100 A
Impulse durability (line-earth)	C1 - 1 kV / 500 A
	C2 - 10 kV / 5 kA
	C3 - 100 A
	D1 - 1 kA
Pulse reset time (line-earth)	$\leq 25 \text{ ms}$

Additional technical data

Max. total discharge current $I_{total \max}$ (8/20) μs	20 kA
--	-------

Environmental and real-life conditions

Ambient conditions

Degree of protection	IP20
Ambient temperature (operation)	-40 °C ... 85 °C
Ambient temperature (storage/transport)	-40 °C ... 85 °C
Altitude	$\leq 4000 \text{ m}$ (amsl (above mean sea level))
Permissible humidity (operation)	5 % ... 95 %

Standards and regulations

Standards/specifications	IEC 61643-21
Standards/specifications	EN 61643-21

Surge protection device - TTC-6P-2X2-24-PT-I



1334595

<https://www.phoenixcontact.com/gb/products/1334595>

Mounting

Mounting type	DIN rail: TH 35 - 7.5 mm
---------------	--------------------------

Surge protection device - TTC-6P-2X2-24-PT-I

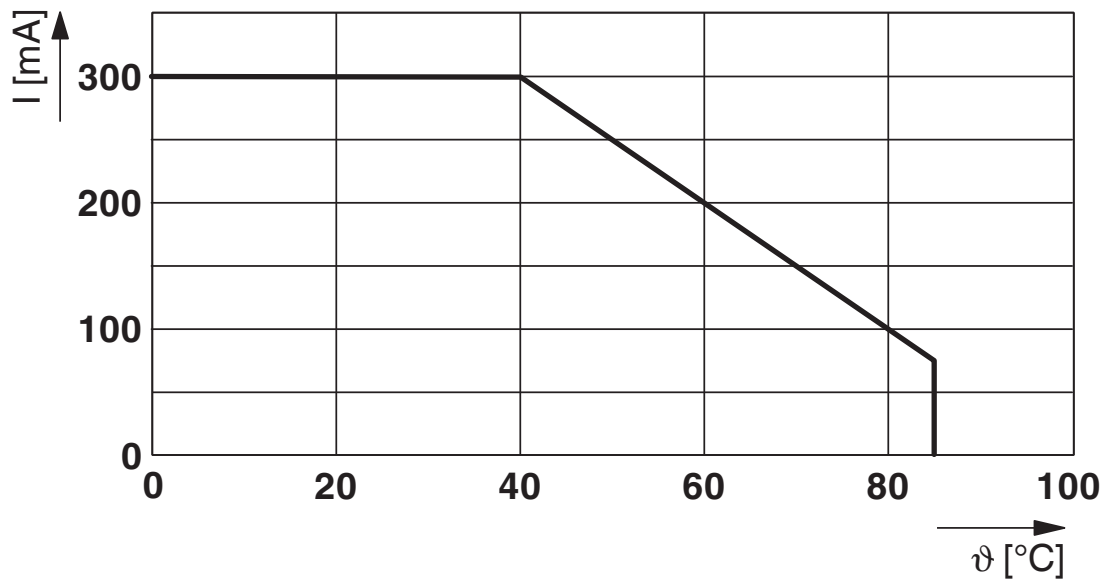


1334595

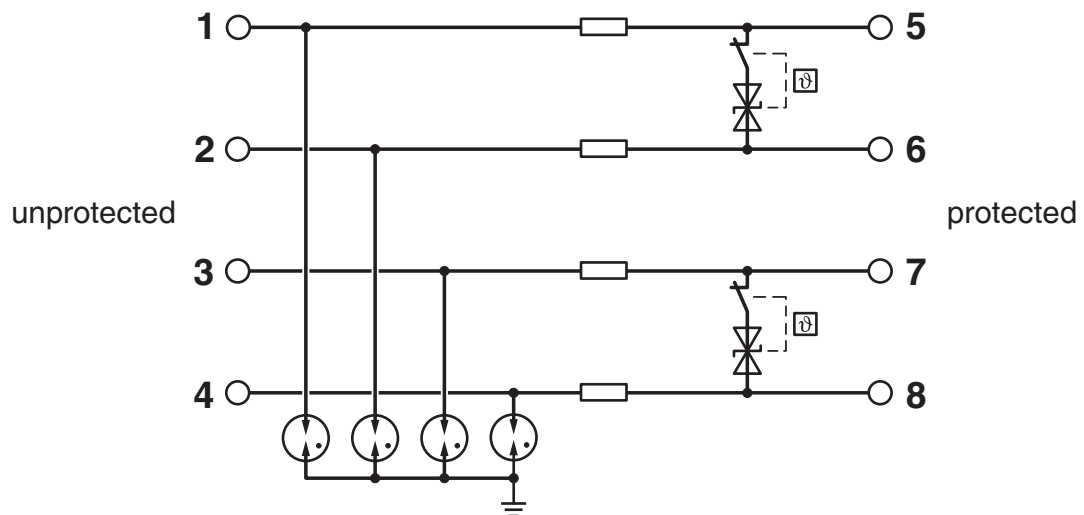
<https://www.phoenixcontact.com/gb/products/1334595>

Drawings

Diagram



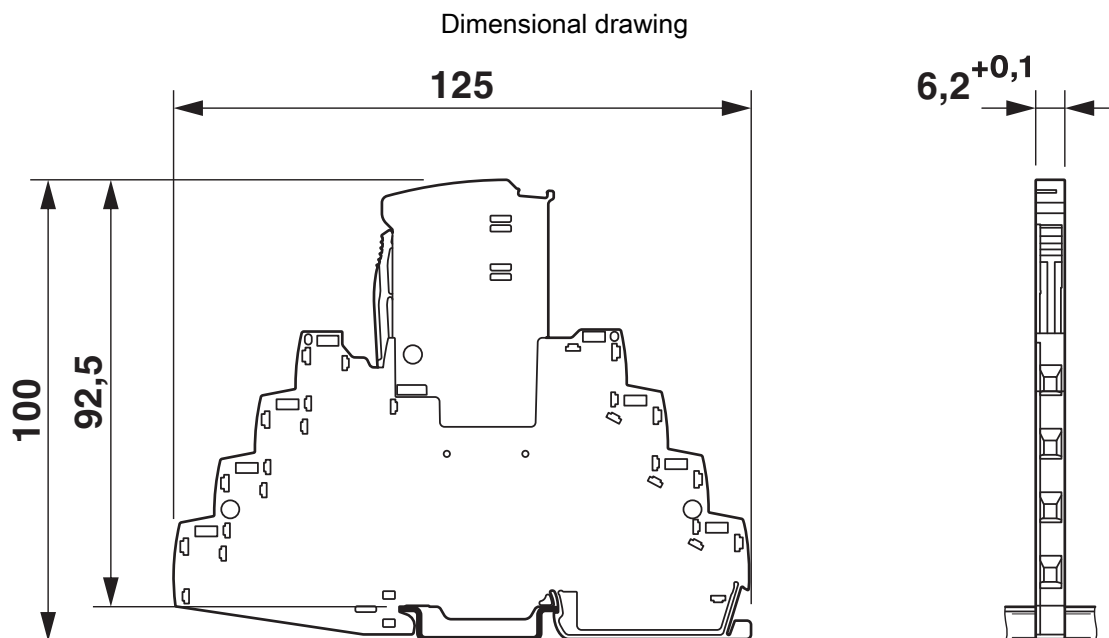
Circuit diagram



Surge protection device - TTC-6P-2X2-24-PT-I

1334595

<https://www.phoenixcontact.com/gb/products/1334595>



Surge protection device - TTC-6P-2X2-24-PT-I



1334595

<https://www.phoenixcontact.com/gb/products/1334595>

Classifications

ECLASS

ECLASS-9.0	27130807
ECLASS-10.0.1	27130807
ECLASS-11.0	27130807

ETIM

ETIM 8.0	EC000943
----------	----------

UNSPSC

UNSPSC 21.0	39121600
-------------	----------

Surge protection device - TTC-6P-2X2-24-PT-I



1334595

<https://www.phoenixcontact.com/gb/products/1334595>

Environmental Product Compliance

REACH SVHC

Lead 7439-92-1

1334595

<https://www.phoenixcontact.com/gb/products/1334595>

Accessories

Marker pen

Marker pen - X-PEN 0,35 - 0811228

<https://www.phoenixcontact.com/gb/products/0811228>



Marker pen without ink cartridge, for manual labeling of markers, labeling extremely wipe-proof, line thickness 0.35 mm

Zack Marker strip, flat

Zack Marker strip, flat - ZBF 6 CUS - 0825027

<https://www.phoenixcontact.com/gb/products/0825027>



Zack Marker strip, flat, Strip, can be ordered: Strip, white, labeled according to customer specifications, mounting type: snap into flat marker groove, for terminal block width: 6.2 mm, lettering field size: 5.15 x 6.15 mm, Number of individual labels: 10

1334595

<https://www.phoenixcontact.com/gb/products/1334595>

Zack Marker strip, flat

Zack Marker strip, flat - ZBF 6:UNBEDRUCKT - 0808710

<https://www.phoenixcontact.com/gb/products/0808710>



Zack Marker strip, flat, Strip, white, unlabeled, can be labeled with: PLOTMARK, CMS-P1-PLOTTER, mounting type: snapped, for terminal block width: 6.2 mm, lettering field size: 5.15 x 6.15 mm, Number of individual labels: 10

Zack Marker strip, flat

Zack Marker strip, flat - ZBF 6/WH-100:UNBEDRUCKT - 0808736

<https://www.phoenixcontact.com/gb/products/0808736>



Zack Marker strip, flat, Strip, white, unlabeled, can be labeled with: PLOTMARK, CMS-P1-PLOTTER, mounting type: snapped, for terminal block width: 6.2 mm, lettering field size: 5.15 x 6.15 mm, Number of individual labels: 1000

Surge protection device - TTC-6P-2X2-24-PT-I

1334595

<https://www.phoenixcontact.com/gb/products/1334595>

End clamp

End clamp - CLIPFIX 35-5 - 3022276

<https://www.phoenixcontact.com/gb/products/3022276>



Quick mounting end clamp for NS 35/7,5 DIN rail or NS 35/15 DIN rail, with marking option, with parking option for FBS...5, FBS...6, KSS 5, KSS 6, width: 5.15 mm, color: gray

Remote signaling set

Remote signaling set - TTC-6-FMRS-PT - 2907811

<https://www.phoenixcontact.com/gb/products/2907811>



Module set for the optical monitoring and floating remote signaling of adjacent surge protective devices in the TERMITRAB complete or CLIXTRAB product family. Suitable for directly grounded DIN rails.

Surge protection device - TTC-6P-2X2-24-PT-I

1334595

<https://www.phoenixcontact.com/gb/products/1334595>

Shield connection

Shield connection - SSA 3-6 - 2839295

<https://www.phoenixcontact.com/gb/products/2839295>

Shield fast connection for 3 ... 6 mm cable diameter. Potential connecting cable:
200 mm, 1 mm², color: black



Shield connection

Shield connection - SSA 5-10 - 2839512

<https://www.phoenixcontact.com/gb/products/2839512>

Shield fast connection for 5 ... 10 mm cable diameter. Potential connecting cable:
200 mm, 1 mm², color: black



Surge protection device - TTC-6P-2X2-24-PT-I



1334595

<https://www.phoenixcontact.com/gb/products/1334595>

Surge protection plug

Surge protection plug - TTC-6P-2X2-24-I-P - 1362694

<https://www.phoenixcontact.com/gb/products/1362694>



Surge protection plug with integrated status indicator on the module for two 2-wire floating signal circuits. Nominal voltage: 24 V AC/DC

Phoenix Contact 2022 © - all rights reserved

<https://www.phoenixcontact.com>

PHOENIX CONTACT Ltd

Halesfield 13, Telford

Shropshire, TF7 4PG

01952 681700

info@phoenixcontact.co.uk