

PLEASE CHECK WWW.MOLEX.COM FOR LATEST PART INFORMATION

Part Number: [1300580059](#)
Status: **Active**
Overview: [Brad® Ethernet Solutions](#)
Description: RJ-Lnxx RJ45 Female to RJ45 Female Adaptor, Panel Mount Pass Thru

Documents:

[Drawing \(PDF\)](#) [RoHS Certificate of Compliance \(PDF\)](#)

General

Product Family	Field Attachable / Accessories
Series	130058
IP Rating	IP67
Material - Contact	N/A
Overview	Brad® Ethernet Solutions
Product Name	RJ-Lnxx
Type	Threaded Interconnect
UPC	78678856747

Physical

Cable Diameter	N/A
Coupling Type	External Thread
Diagnostics / LEDs	No
Diagnostics Port	No
Gender	Female
Keyway	N/A
Material - Connector Body	Delrin
Material - Coupling Nut	Nylon
Material - Plating Mating	n/a
Net Weight	68.038/g
Orientation	Straight
Poles	N/A
Temperature Range - Operating	-20°C to +80°C
Wire Size AWG	N/A

Electrical

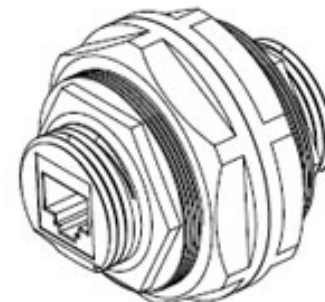
Current - Maximum per Contact	1.5A
Voltage - Maximum	30V DC

Material Info

Engineering Number	RJBG17946
--------------------	-----------

Reference - Drawing Numbers

Sales Drawing	SD-130058-007
---------------	---------------



Series image - Reference only

EU ELV

Not Relevant

EU RoHS

Compliant

REACH SVHC

Not Contained Per -
ED/30/2017 (7 July
2017)

Halogen-Free

Status

Not Low-Halogen

For more information, please visit [Contact US](#)

China ROHS

ELV

RoHS Phthalates

China RoHS

Green Image

Not Relevant

Not Contained

Search Parts in this Series

[130058 Series](#)