



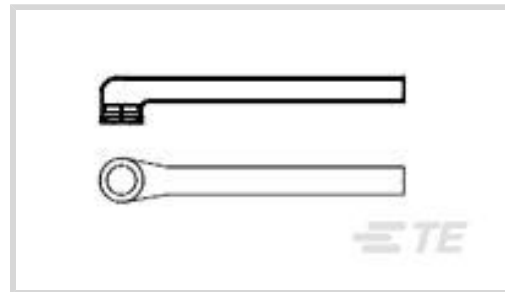
Raychem

TE Internal #: 123329-000

Heat Shrink Boots, 90 °, Size 222, Lipped, 25, 25, Adhesive Pre-Coat, -75 – 150 °C [-103 – 302 °F], Long-Term Fluid Exposure at High Temperatures

[View on TE.com >](#)

Wire Protection & Management > Heat Shrink Molded Shapes > Heat Shrink Boots > Low Profile Heat Shrink Boots: Poly Mold, Lipped, Right Angle



Molded Part Angle: 90 °

Molded Part Shape Code: 222

Lipped: Yes

Material Code: 25

Heat Shrink Boot Material Systems Code: 25

[All Low Profile Heat Shrink Boots: Poly Mold, Lipped, Right Angle \(86\)](#)

Features

Product Type Features

Molded Part Angle	90 °
-------------------	------

Configuration Features

Lipped	Yes
--------	-----

Body Features

Material Code	25
Heat Shrink Boot Material Systems Code	25
Adhesive Pre-Coat	Yes
Material	Fluid Resistant Modified Elastomer

Dimensions

Wire/Cable Outside Diameter	.276 in, .3 in, .31 in, .35 in, .39 in, .43 in, .433 in, .47 in, 10 mm, 11 mm, 12 mm, 7 mm, 8 mm, 9 mm
Cable Diameter Range	6.4 – 14 mm[6.4 – 15 in]

Usage Conditions

Operating Temperature Range	-75 – 150 °C[-103 – 302 °F]
-----------------------------	-----------------------------

Operation/Application

Power Cable Accessory	No
-----------------------	----



Industry Standards

Approved Standards	BS-G-198-5-DE, DEF Std 59-97 Issue 3 Type DE, IEC 62329-3-102, MIS-34867
Government Qualified	No

Other

Molded Part Shape Code	222
Fluid & Chemical Resistance	Long-Term Fluid Exposure at High Temperatures
Adhesive Options	/225 Precoat

Product Compliance

[For compliance documentation, visit the product page on TE.com>](#)

EU RoHS Directive 2011/65/EU	Compliant
EU ELV Directive 2000/53/EC	Compliant
China RoHS 2 Directive MIIT Order No 32, 2016	No Restricted Materials Above Threshold
EU REACH Regulation (EC) No. 1907/2006	Current ECHA Candidate List: JAN 2022 (223) Candidate List Declared Against: JAN 2022 (223) Does not contain REACH SVHC
Halogen Content	Not Low Halogen - contains Br or Cl > 900 ppm.
Solder Process Capability	Not applicable for solder process capability

Product Compliance Disclaimer

This information is provided based on reasonable inquiry of our suppliers and represents our current actual knowledge based on the information they provided. This information is subject to change. The part numbers that TE has identified as EU RoHS compliant have a maximum concentration of 0.1% by weight in homogenous materials for lead, hexavalent chromium, mercury, PBB, PBDE, DBP, BBP, DEHP, DIBP, and 0.01% for cadmium, or qualify for an exemption to these limits as defined in the Annexes of Directive 2011/65/EU (RoHS2). Finished electrical and electronic equipment products will be CE marked as required by Directive 2011/65/EU. Components may not be CE marked. Additionally, the part numbers that TE has identified as EU ELV compliant have a maximum concentration of 0.1% by weight in homogenous materials for lead, hexavalent chromium, and mercury, and 0.01% for cadmium, or qualify for an exemption to these limits as defined in the Annexes of Directive 2000/53/EC (ELV). Regarding the REACH Regulation, the information TE provides on SVHC in articles for this part number is based on the latest European Chemicals Agency (ECHA) 'Guidance on requirements for substances in articles' posted at this URL: <https://echa.europa.eu/guidance-documents/guidance-on-reach>

Compatible Parts

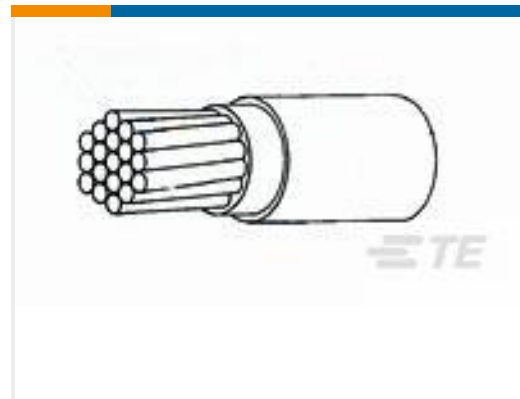


TE Part # CJ2087-000
HL2010E-KIT-120V

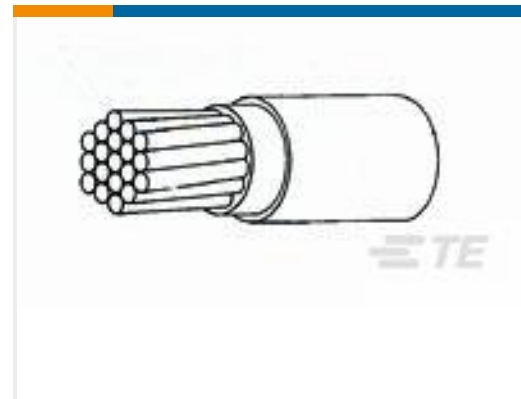
Customers Also Bought



TE Part #204351-1
SZ 22 SOCKET CONTACT



TE Part #285752-009
44A0111-26-2-US



TE Part #285750-010
44A0111-26-0-US



TE Part #YDTS26W09-35SAV001
PLUG ASSY



TE Part #2335893-5
AMPLIMITE SZ 5 RECPT 78 POS, ST
STL SHEL



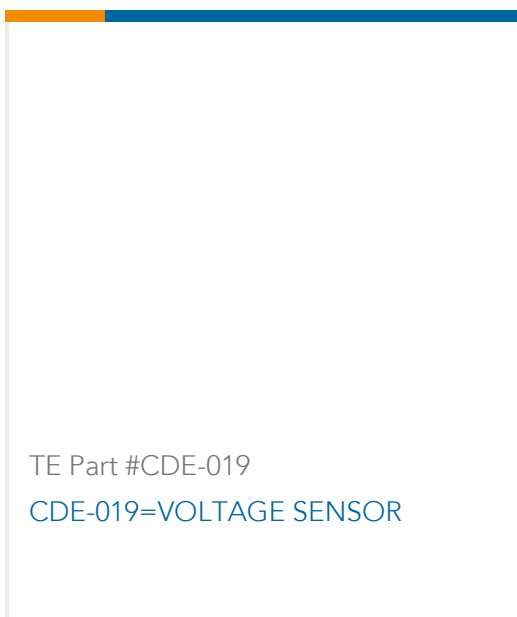
TE Part #7-2252003-3
K500B3C02=CONTACTOR SPST NO
500A MAGBLOW



TE Part #NB13674001
RNF-100-3/8-RD-FSP



TE Part #ES2100402BGL
ES2100402BGL=RELAY



TE Part #CDE-019
CDE-019=VOLTAGE SENSOR



TE Part #K1141253
Limit switch G06-221-M-015 / -036

Documents

Product Drawings

[222D211-25/225-0](#)

English

Datasheets & Catalog Pages

[1654025_Sec4_-25](#)

English

Raychem Molded Parts Visual Guide

English



Product Specifications

[Product Specification](#)

English

Product Environmental Compliance

[Safety Datasheet](#)

[Safety Datasheet](#)

[Safety Datasheet](#)

English

[Safety Datasheet](#)

French

[Safety Datasheet](#)

German

[Safety Datasheet](#)

[Safety Datasheet](#)

[Safety Datasheet](#)

[Safety Datasheet](#)

[Safety Datasheet](#)

[Safety Datasheet](#)

English

[Safety Datasheet](#)

French

[Safety Datasheet](#)

German

[Safety Datasheet](#)

[Safety Datasheet](#)

[Safety Datasheet](#)

[Safety Datasheet](#)