

1217151-1 ✓ ACTIVE

FASTON | FASTON 187

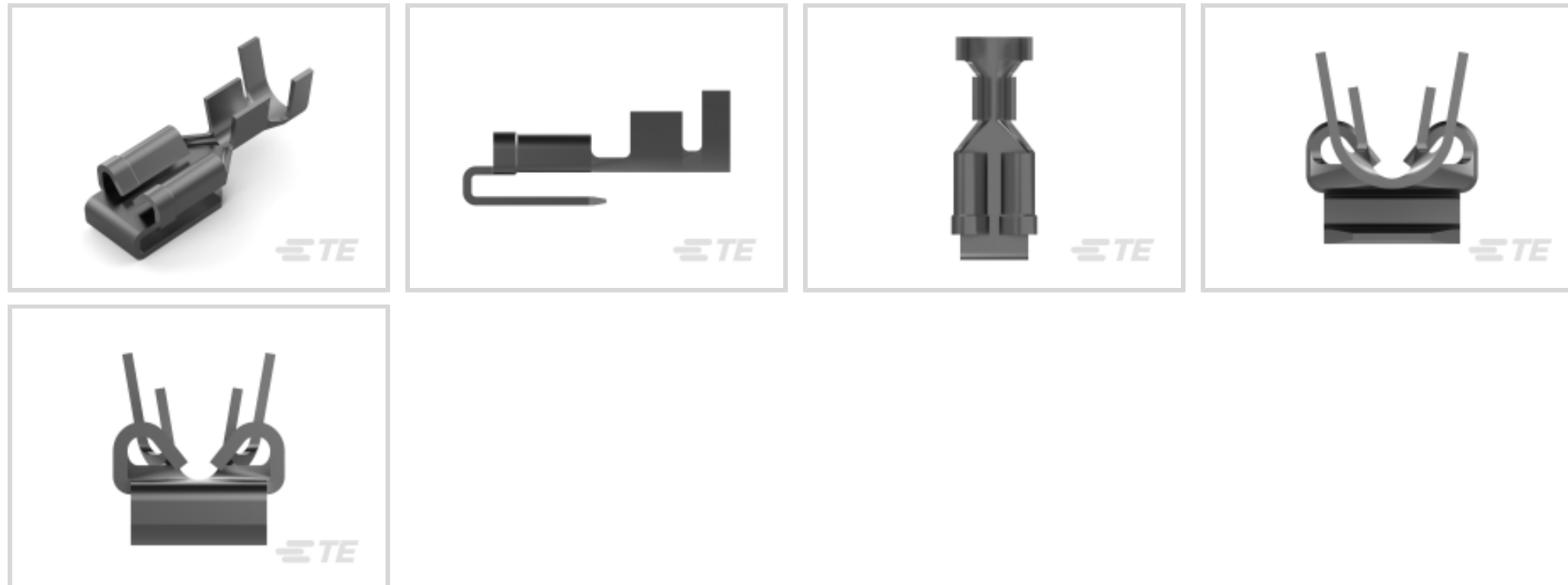
TE Internal #: 1217151-1

FASTON 187, Quick Disconnects, Receptacle, 18 – 14 AWG Wire Size, .75 – 2.5 mm² Wire Size, Mating Tab Width .187 in [4.75 mm], Straight, Brass

[View on TE.com >](#)



Terminals & Splices > Quick Disconnects



Quick Disconnect Terminal Type: **Receptacle**

Wire Size: .75 – 2.5 mm²

Mating Tab Width: 4.75 mm [.187 in]

Mating Tab Thickness: .51 mm [.02 in]

Features

Product Type Features

Terminates To	Wire & Cable
Wire/Cable Type	Regular Wire
Wire Stop	No
Insertion Force	Normal
Sealable	No

Configuration Features

Connection Capacity	Single
---------------------	--------

Contact Features

Quick Disconnect Terminal Type	Receptacle
Mating Tab Width	4.75 mm [.187 in]
Mating Tab Thickness	.51 mm [.02 in]
Terminal Orientation	Straight
Contact Base Material	Brass
Terminal Plating Material	Tin
Crimp Type	F-Crimp



Barrel Type	Open
-------------	------

Mechanical Attachment

Mating Retention Type	Dimple
Wire Insulation Support	With

Dimensions

Accepts Wire Insulation Diameter Range	2.79 – 4.06 mm [.11 – .16 in]
Receptacle Terminal Stock Thickness	.36 mm [.014 in]
Overall Length	15.62 mm [.614 in]
Wire Size	.75 – 2.5 mm ²

Usage Conditions

Insulation Requirement	Uninsulated
Operating Temperature Range	-40 – 110 °C [-40 – 230 °F]

Industry Standards

CSA Certified	Yes
UL Rating	Listed

Packaging Features

Packaging Quantity	3500
Packaging Method	Strip/Reel

Other

Line	FASTON .187
------	-------------

Product Compliance

[For compliance documentation, visit the product page on TE.com>](#)

EU RoHS Directive 2011/65/EU	Compliant
EU ELV Directive 2000/53/EC	Compliant
China RoHS 2 Directive MIIT Order No 32, 2016	No Restricted Materials Above Threshold
EU REACH Regulation (EC) No. 1907/2006	Current ECHA Candidate List: JAN 2022 (223) Candidate List Declared Against: JUL 2021 (219) SVHC > Threshold: Not Yet Reviewed
Halogen Content	Low Halogen - Br, Cl, F, I < 900 ppm per homogenous material. Also BFR/CFR/PVC

Free

Solder Process Capability

Not applicable for solder process capability

Product Compliance Disclaimer

This information is provided based on reasonable inquiry of our suppliers and represents our current actual knowledge based on the information they provided. This information is subject to change. The part numbers that TE has identified as EU RoHS compliant have a maximum concentration of 0.1% by weight in homogenous materials for lead, hexavalent chromium, mercury, PBB, PBDE, DBP, BBP, DEHP, DIBP, and 0.01% for cadmium, or qualify for an exemption to these limits as defined in the Annexes of Directive 2011/65/EU (RoHS2). Finished electrical and electronic equipment products will be CE marked as required by Directive 2011/65/EU. Components may not be CE marked. Additionally, the part numbers that TE has identified as EU ELV compliant have a maximum concentration of 0.1% by weight in homogenous materials for lead, hexavalent chromium, and mercury, and 0.01% for cadmium, or qualify for an exemption to these limits as defined in the Annexes of Directive 2000/53/EC (ELV). Regarding the REACH Regulation, the information TE provides on SVHC in articles for this part number is based on the latest European Chemicals Agency (ECHA) 'Guidance on requirements for substances in articles' posted at this URL: <https://echa.europa.eu/guidance-documents/guidance-on-reach>

Compatible Parts



TE Part # 2305570-1
TERMINAL CUTTER, SIDE FEED



TE Part # 63524-1
187 FASTON TAB 18-14 AWG TPBZ



TE Part # 2-2266748-1
OCEAN_2.0_Applicator-S-090F1800



TE Part # 2-2266748-2
OCEAN_2.0_Applicator-S-090F1800



TE Part # 2178549-2
187 FASTON, REC., 18-14 AWG, TPBR



TE Part # 2266748-1
OCEAN_2.0_Applicator-S-090F1800



TE Part # 2266748-2
OCEAN_2.0_Applicator-S-090F1800



TE Part # 7-2266748-1
OCEAN_2.0_Applicator-S-090F1800



TE Part # 7-2266748-2
OCEAN_2.0_Applicator-S-090F1800



KIT
TE Part # 7-2266748-7
OCEAN_2.0_SPARE_PART_KIT-090F1800

Also in the Series | **FASTON 187**



Crimp Terminal Housings(41)



Insertion & Extraction Tools(1)



Joints & Splices(1)



PCB Terminals(48)



Quick Disconnects(214)



Splices(1)

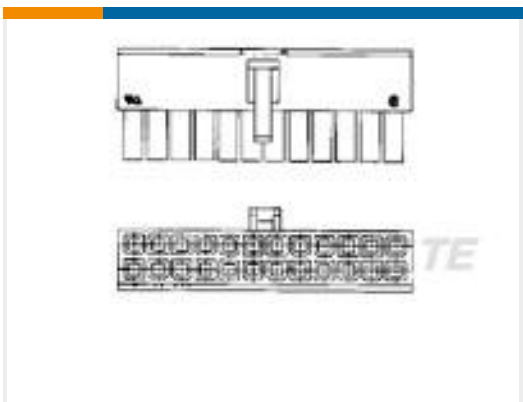
Customers Also Bought



TE Part #3-647630-4
Polyester Right Angle PCB Header:
2.54mm, Unshrouded, MTA 100



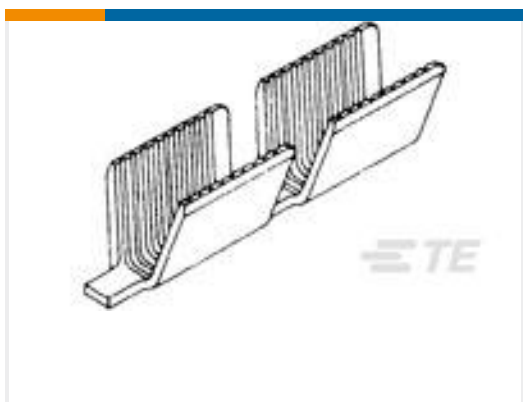
TE Part #5650908-5
ASSY,PIN,EUROCARD,TYPE R,LEAD-



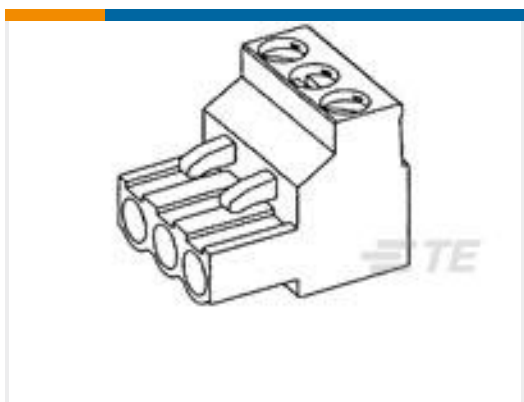
TE Part #1-1586019-6
16P RCPT VAL-U-LOK V0



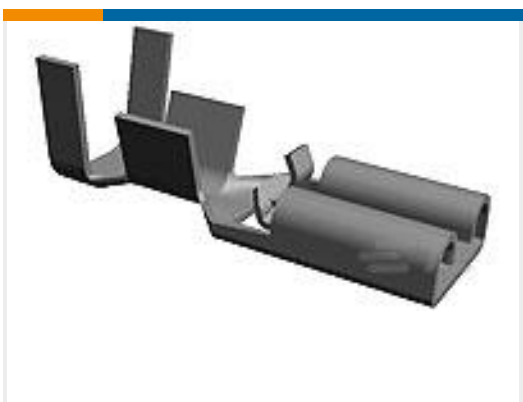
TE Part #1586017-8
8P FH PLUG VAL-U-LOK V0



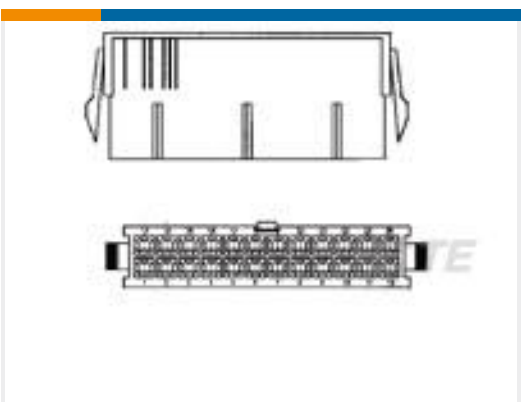
TE Part #62306-2
AMVAR SPLC 1500-5000 020TPBR



TE Part #796634-6
6 POS 5.08MM R/A PLUG,TRM BLK



TE Part #1217096-2
PL 187 RECEPTACLE 18-14 AWG TPBR



TE Part #1-1586018-2
12P PM PLUG VAL-U-LOK V0



TE Part #3-1393253-8
W68-X2Q12-5=M6/M7/M9/W6/W7

Documents



Product Drawings

[187 FASTON,PIGGYBACK REC.,18-14 AWG,TPBR](#)

English

CAD Files

Customer View Model

[ENG_CVM_CVM_1217151-1_E.2d_dxf.zip](#)

English

3D PDF

3D

Customer View Model

[ENG_CVM_CVM_1217151-1_E.3d_igs.zip](#)

English

Customer View Model

[ENG_CVM_CVM_1217151-1_E.3d_stp.zip](#)

English

By downloading the CAD file I accept and agree to the [Terms and Conditions](#) of use.

Datasheets & Catalog Pages

[82004 FASTON Terminals \(Insulated and Uninsulated\) Catalog - FASTON Receptacles Section](#)

English

Product Specifications

[Application Specification](#)

English

Product Environmental Compliance

[MD_1217151-1_03222018956_dmtec](#)

English

[MD_1217151-1_03222018956_dmtec](#)

English

Agency Approvals

[UL Report](#)

English