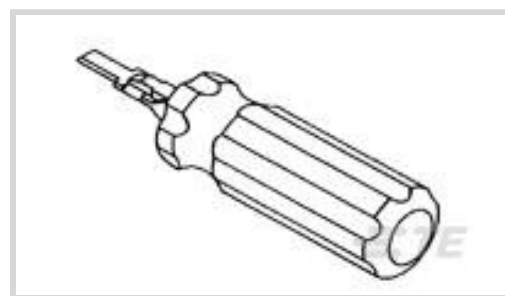




Application Tooling > Insertion & Extraction Tools



Insertion & Extraction Tool Type: **Contact Extraction**

Insertion & Extraction Tool Application: **Contact-to-Wire**

Features

Product Type Features

Insertion & Extraction Tool Type	Contact Extraction
Insertion & Extraction Tool Application	Contact-to-Wire

Product Compliance

[For compliance documentation, visit the product page on TE.com>](#)

EU RoHS Directive 2011/65/EU	Compliant
EU ELV Directive 2000/53/EC	Compliant
China RoHS 2 Directive MIIT Order No 32, 2016	No Restricted Materials Above Threshold
EU REACH Regulation (EC) No. 1907/2006	Current ECHA Candidate List: JUNE 2022 (224) Candidate List Declared Against: JAN 2022 (223) SVHC > Threshold: Not Yet Reviewed
Halogen Content	Low Halogen - Br, Cl, F, I < 900 ppm per homogenous material. Also BFR/CFR/PVC Free
Solder Process Capability	Not applicable for solder process capability

Product Compliance Disclaimer

This information is provided based on reasonable inquiry of our suppliers and represents our current actual knowledge based on the information they provided. This information is subject to change. The part numbers that TE has identified as EU RoHS compliant have a maximum concentration of 0.1% by weight in homogenous materials for lead, hexavalent chromium, mercury, PBB, PBDE, DBP, BBP, DEHP, DIBP, and 0.01% for cadmium, or qualify for an exemption to these limits as defined in the Annexes of Directive 2011/65/EU (RoHS2). Finished electrical and electronic equipment products will be CE marked as required by Directive 2011/65/EU. Components may not be CE marked. Additionally, the part numbers that TE has identified as EU ELV compliant have a maximum concentration of 0.1% by weight in homogenous materials for lead, hexavalent chromium, and mercury, and 0.01% for cadmium, or qualify for an exemption to these limits as defined in the Annexes of Directive 2000/53/EC (ELV). Regarding the REACH Regulation, the information TE provides

on SVHC in articles for this part number is based on the latest European Chemicals Agency (ECHA) 'Guidance on requirements for substances in articles' posted at this URL: <https://echa.europa.eu/guidance-documents/guidance-on-reach>

Compatible Parts



TE Part # 4-1105150-1
HSS-C-Sti.Ag.10,0 qmm



TE Part # 5-1105151-1
HSS-C-Bu.Ag.16,0 qmm



TE Part # 3-1105150-1
HSS-C-Sti.Ag.6,0 qmm



TE Part # 4-1105150-2
HSS-C-Sti.Au.10,0 qmm



TE Part # 4-1105151-1
HSS-C-Bu.Ag.10,0 qmm



TE Part # 1-1105151-1
HSS-C-Bu.Ag.2,5 qmm



TE Part # 2-1105150-1
HSS-C-Sti.Ag.4,0 qmm



TE Part # 2-1105151-1
HSS-C-Bu.Ag.4,0 qmm



TE Part # 3-1105150-2
HSS-C-Sti.Au.6,0 qmm



TE Part # 3-1105151-1
HSS-C-Bu.Ag.6,0 qmm



TE Part # 3-1105151-2
HSS-C-Bu.Au.6,0 qmm



TE Part # 5-1105150-1
HSS-C-Sti.Ag.16,0 qmm



TE Part # 4-1105151-2
HSS-C-Bu.Au.10,0 qmm

Also in the Series | **HDC HD**



Connector Contacts(24)



Insertion & Extraction Tools(5)

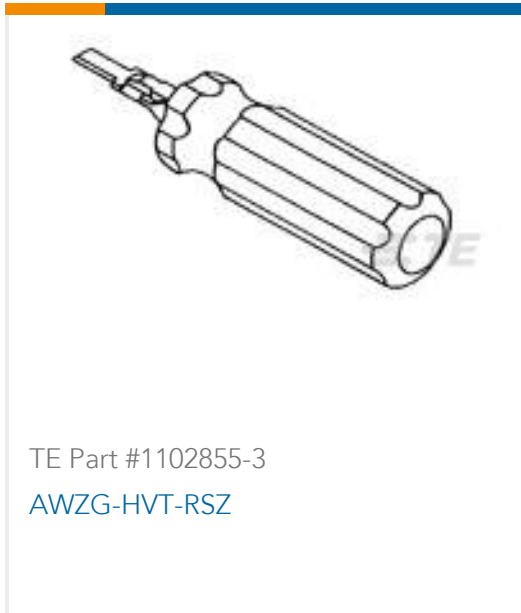


Rectangular Contact Inserts(43)

Customers Also Bought



TE Part #1102855-2
AWZG-HN.D-RSZ



TE Part #1102855-3
AWZG-HVT-RSZ



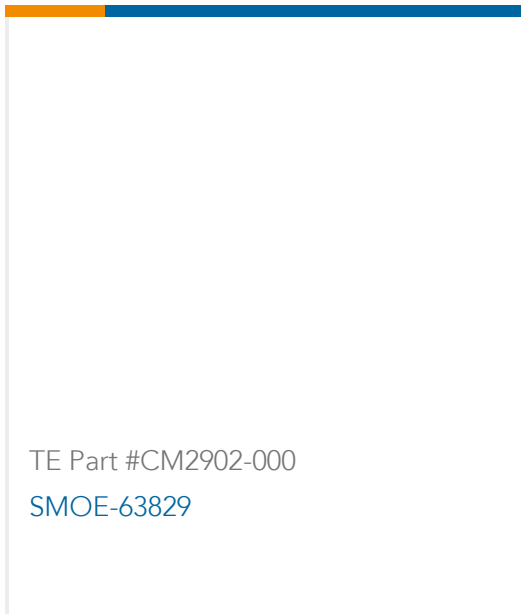
TE Part #CF6365-005
IXSU-F5131-ML-4-17



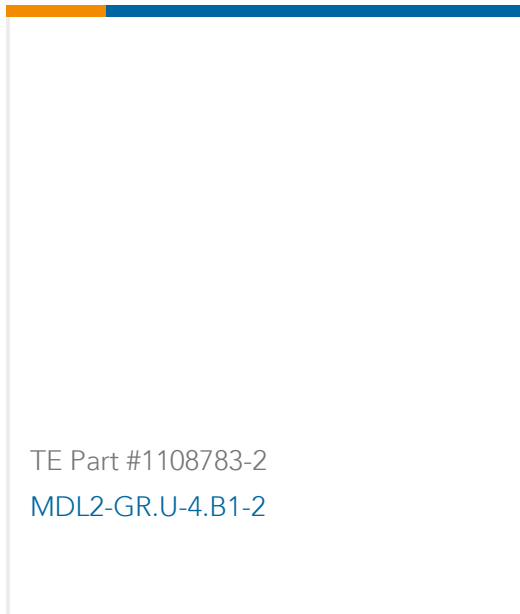
TE Part #2071410-2
IHV200ADANA



TE Part #926539-1
250 FASTON HSG. REC. 1P NATURAL



TE Part #CM2902-000
SMOE-63829



TE Part #1108783-2
MDL2-GR.U-4.B1-2



TE Part #1103019-1
MDL2.2+2.STI.C



TE Part #1103019-2
MDL2.2+2.BU.C



TE Part #3-1105151-1
HSS-C-Bu.Ag.6,0 qmm

Documents

Product Drawings

[AWZG-HSS-RSZ](#)

German

Datasheets & Catalog Pages

[CRIMPING TERMINALS](#)

English

[CRIMPING WHERE FORM MEETS FUNCTION](#)

English

