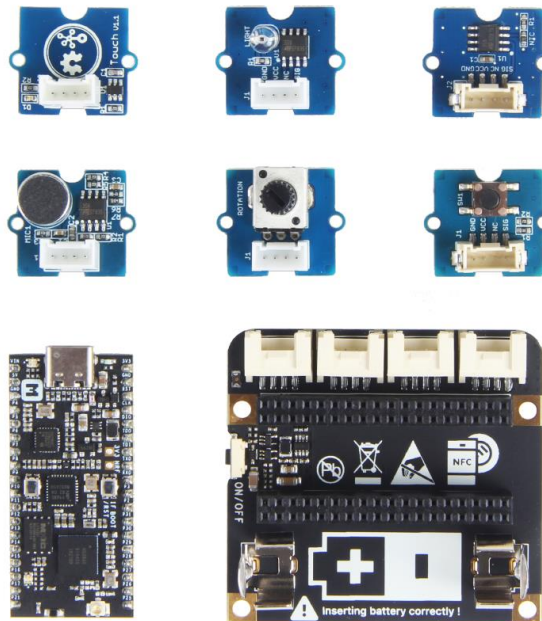




**seeed** studio  
The IoT Hardware Enabler



Grove Mesh Kit for nRF52840-MDK is a versatile mesh networking development kit. It integrates nRF52840-MDK development board Base Dock and SeeedStudio's most popular and easy-to-use Grove Modules.

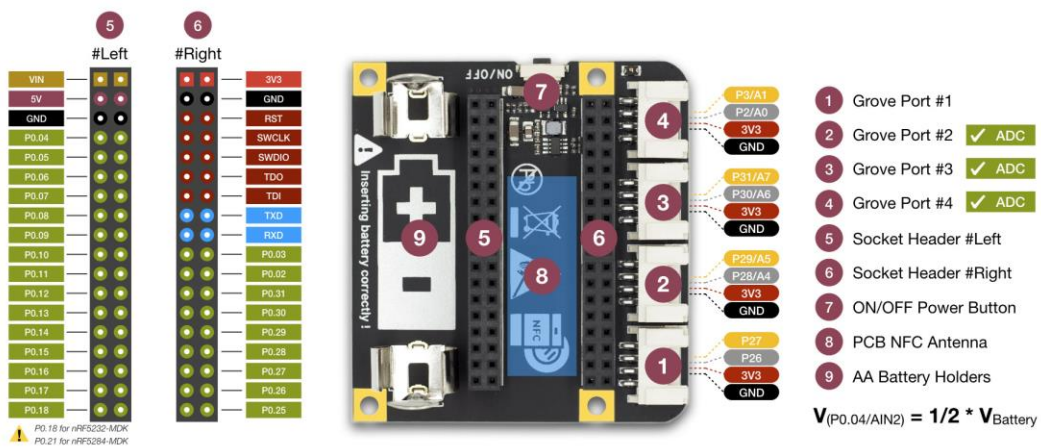
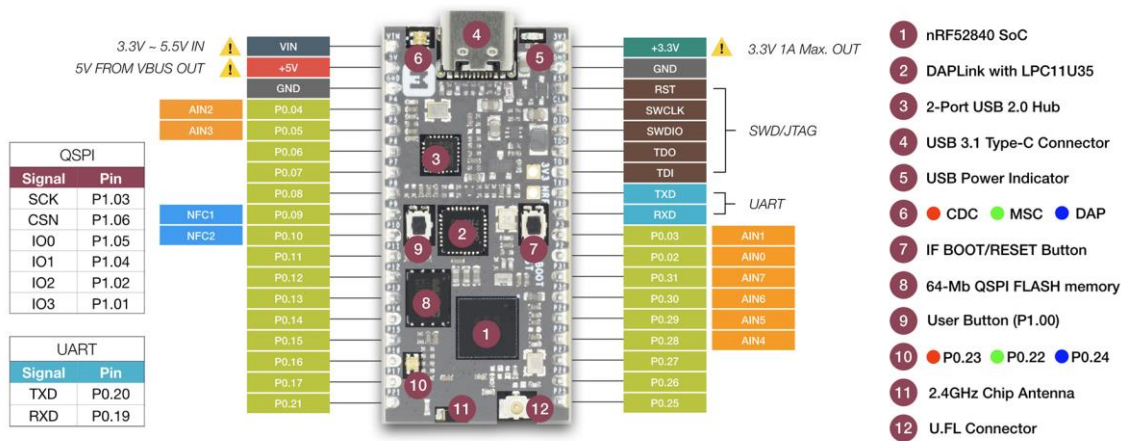
Grove Mesh Kit takes full advantage of the multiprotocol capabilities of the nRF52840 SoC by supporting Bluetooth Mesh and OpenThread Mesh networking. It allows developers to create IoT applications with Mesh Network Connectivity in a very short time.

### Features

- nRF52840 Micro Development Kit(nRF52840-MDK)
- nRF52840 Advanced Bluetooth 5, Thread and Zigbee multiprotocol SoC
- Program/Debug options with DAPLink
- Microchip 2-Port USB 2.0 Hi-Speed Hub Controller
- External ultra-low power 64-Mb QSPI FLASH memory
- On-board 2.4G chip antenna
- U.FL connector selectable for external antenna
- Reversible USB 3.1 Type-C Connector
- Buttons and LEDs for user interaction
- Up to 24 GPIOs available via headers
- Base Dock (Grove Compatible)
- Dual 2x18 Socket Headers
- 4 Grove connectors with UART/I2C/I2S/PDM/QDEC/SPI/ADC selectable

- Supporting NFC-A Listen Mode with PCB NFC Antenna
- AA Battery power supply Power
- Button with Latching Circuit
- Battery level sensing
- 6 easy-to-use
- Grove modules
- Grove - Button
- Grove - Light Sensor
- Grove - Rotary Angle Sensor
- Grove - Sound Sensor
- Grove - Temperature Sensor
- Grove - Touch Sensor

## Block Diagram



## Part List

1 x Grove - Button
1 x Grove - Temperature Sensor
1 x Grove - Rotary Angle Sensor
1 x Grove - Sound Sensor
1 x Grove - Touch Sensor
1 x Grove - Light Sensor v1.2
1 x nRF52840 Micro Development Kit
1 x nRF52840 MDK Base Dock

## ECCN/HTS

HSCODE	9023009000
USHSCODE	9023000000