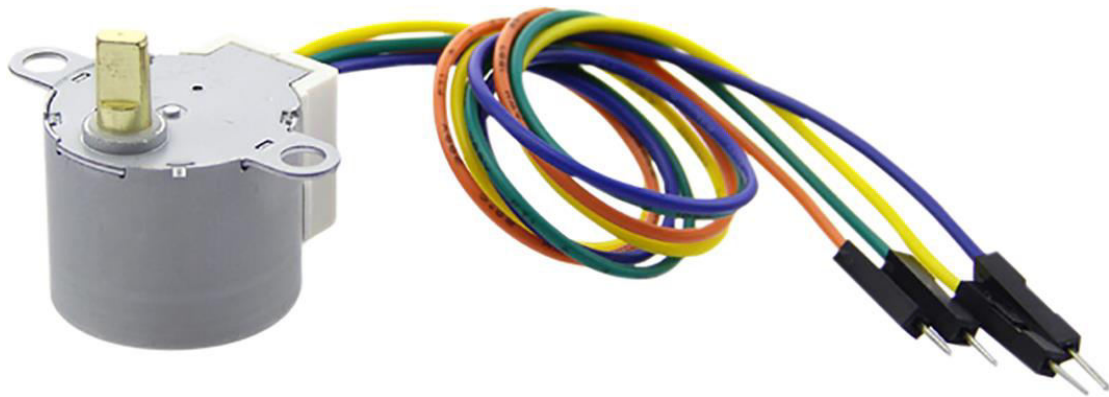




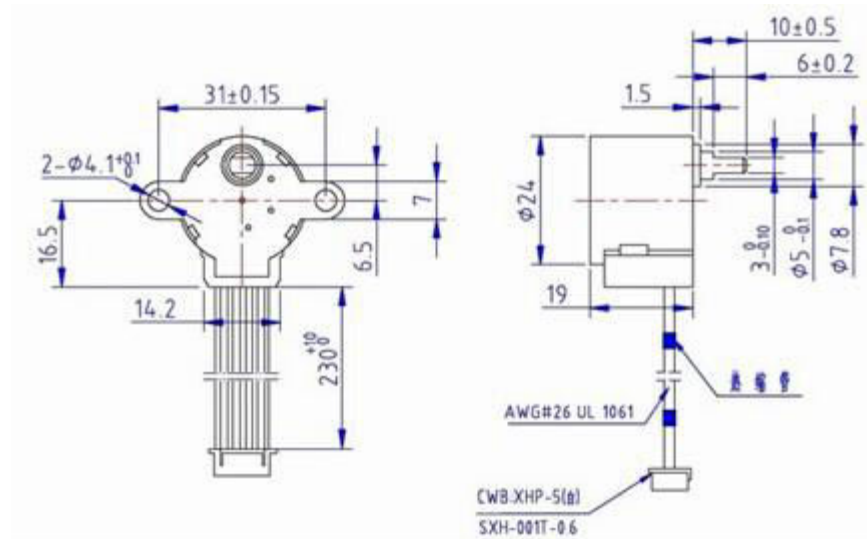
seeed studio
The IoT Hardware Enabler



Small size and high torque, mainly used in air conditioner louvers, small cooling heating fans and automatic curtains.

Specification :

- Phase: 2
- Step Angle: $5.625^{\circ}/32$
- Ratio: 1/32
- Voltage: 5V DC
- Resistance: 25ohm
- Idle In-traction Frequency: $\geq 500\text{Hz}$
- Idle Out-traction Frequency: $\geq 800\text{Hz}$
- In-traction Torque: $\geq 39.2\text{mN/m}$
- Detent Torque: $\geq 20\text{mN/m}$
- Insulation Class: A
- Noise: $< 40\text{dB}$
- Steering: CCW
- Weight: 35g



Technical details

Weight	G.W 30g
Battery	Exclude

Part List

Small Size and High Torque Stepper Motor - 24BYJ48	1
--	---

ECCN/HTS

ECCN	ERA99
HSCODE	8501109990
USHSCODE	8501104060
UPC	841454102915