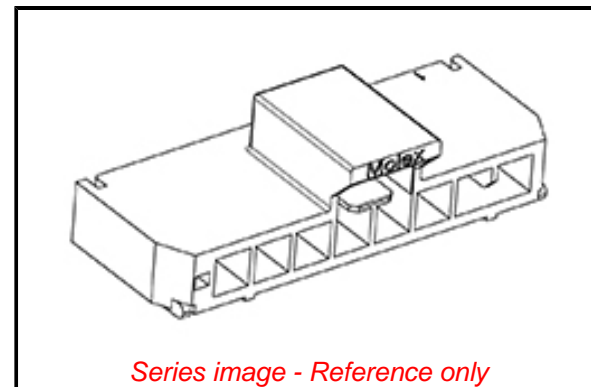


**PLEASE CHECK WWW.MOLEX.COM FOR LATEST PART INFORMATION**

**Part Number:** [1054301106](#)  
**Status:** **Active**  
**Overview:** [Nano-Fit Power Connectors](#)  
**Description:** Nano-Fit Right-Angle Header, Surface Mount, 2.50mm Pitch, Single Row, 6 Circuits, 0.76µm Tin (Sn) Plating, Black, Glow-Wire Capable

**Documents:**

|   |   |
|---|---|
| <a href="#">3D Model</a>  | <a href="#">Packaging Specification 1054301000-PK-000 (PDF)</a> |
| <a href="#">Drawing (PDF)</a>                                     | <a href="#">Test Summary 1054050000-TS-000 (PDF)</a>            |
| <a href="#">Product Specification PS-105405-001-001 (PDF)</a>     | <a href="#">RoHS Certificate of Compliance (PDF)</a>            |
| <a href="#">Application Specification AS-105405-001-001 (PDF)</a> |   |



Series image - Reference only

**General**

|                |   |
|----------------|---|
| Product Family | PCB Headers                               |
| Series         | <a href="#">105430</a>                    |
| Application    | Power, Wire-to-Board                      |
| Overview       | <a href="#">Nano-Fit Power Connectors</a> |
| Product Name   | Nano-Fit                                  |
| UPC            | 191128931908                              |

**Physical**

|                                |                        |
|--------------------------------|------------------------|
| Breakaway                      | No                     |
| Circuits (Loaded)              | 6                      |
| Circuits (maximum)             | 6                      |
| Color - Resin                  | Black                  |
| Durability (mating cycles max) | 25                     |
| Glow-Wire Capable              | Yes                    |
| Keying to Mating Part          | Yes                    |
| Lock to Mating Part            | Yes                    |
| Material - Metal               | Brass                  |
| Material - Plating Mating      | Tin                    |
| Material - Plating Termination | Tin                    |
| Material - Resin               | Liquid Crystal Polymer |
| Net Weight                     | 1.030/g                |
| Number of Rows                 | 1                      |
| Orientation                    | Right Angle            |
| PCB Locator                    | No                     |
| PCB Thickness - Recommended    | 1.60mm                 |
| Packaging Type                 | Embossed Tape on Reel  |
| Pitch - Mating Interface       | 2.50mm                 |
| Pitch - Termination Interface  | 2.50mm                 |
| Plating min - Mating           | 0.762µm                |
| Plating min - Termination      | 0.762µm                |
| Polarized to Mating Part       | Yes                    |
| Polarized to PCB               | No                     |
| Temperature Range - Operating  | -40° to +105°C         |
| Termination Interface: Style   | Surface Mount          |

**Electrical**

|                               |               |
|-------------------------------|---------------|
| Current - Maximum per Contact | 6.5A          |
| Voltage - Maximum             | 250V AC (RMS) |

**Material Info**

**Reference - Drawing Numbers**

|                           |                   |
|---------------------------|-------------------|
| Application Specification | AS-105405-001-001 |
| Packaging Specification   | 1054301000-PK-000 |
| Product Specification     | PS-105405-001-001 |

**EU ELV**

**Not Relevant**

**EU RoHS**

**Compliant**

**REACH SVHC**

Not Contained Per  
-ED/88/2018 (15  
January 2019)

**Halogen-Free**

**Status**

**Low-Halogen**

For more information, please visit [Contact US](#)

China ROHS

ELV

RoHS Phthalates

**China RoHS**

Green Image

Not Relevant

Not Contained

**Search Parts in this Series**

[105430 Series](#)

**Mates With**

Nano-Fit Receptacle Housing [105307](#)

**Use With**

Nano-Fit Crimp Terminal [105300](#)

This document was generated on 04/23/2019

**PLEASE CHECK [WWW.MOLEX.COM](http://WWW.MOLEX.COM) FOR LATEST PART INFORMATION**