



Grove - 4-Digit Display

Release date : 9/20/2015

Version : 1.0

Wiki: [http://www.seeedstudio.com/wiki/Grove - 4-Digit Display](http://www.seeedstudio.com/wiki/Grove_-_4-Digit_Display)

Bazaar: <http://www.seeedstudio.com/depot/Grove-4Digit-Display-p-1198.html>

Document Revision History

Revision	Date	Author	Description
1.0	Sep 21, 2015	Victor.He	Create file

Contents

Document Revision History	2
1. Introduction	2
2. Features	3
3. Application ideas	4
4. Specifications	5
5. Interface functions	6
6. Usage	7
6.1 With TI LaunchPad	7
6.2 With Arduino	8
6.3 With Raspberry Pi	11
7. Resources	15
8. Related Projects	16
9. Support	18

Disclaimer

For physical injuries and possessions loss caused by those reasons which are not related to product quality, such as operating without following manual guide, natural disasters or force majeure, we take no responsibility for that.

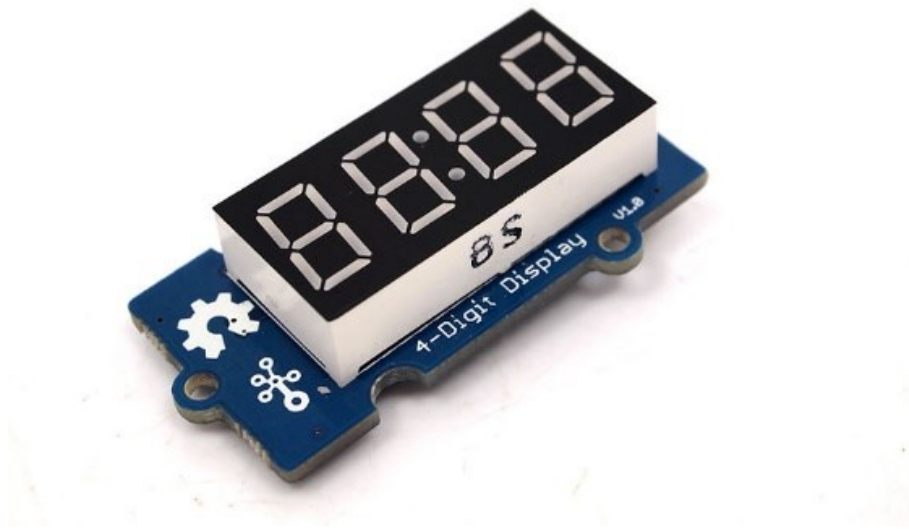
Under the supervision of Seeed Technology Inc., this manual has been compiled and published which covered the latest product description and specification. The content of this manual is subject to change without notice.

Copyright

The design of this product (including software) and its accessories is under tutelage of laws. Any action to violate relevant right of our product will be penalized through law. Please consciously observe relevant local laws in the use of this product.

1. Introduction

Grove - 4-Digit Display module is a 12-pin module. In this module, we utilise a TM1637 to scale down the number of controlling pins to 2. That is to say, it controls both the content and the luminance via only 2 digital pins of Arduino or Seeduino. For projects that require alpha-numeric display, this can be a nice choice.



2. Features

- 4 digit red alpha-numeric display
- Grove compatible interface (3.3V/5V)
- 8 adjustable luminance levels

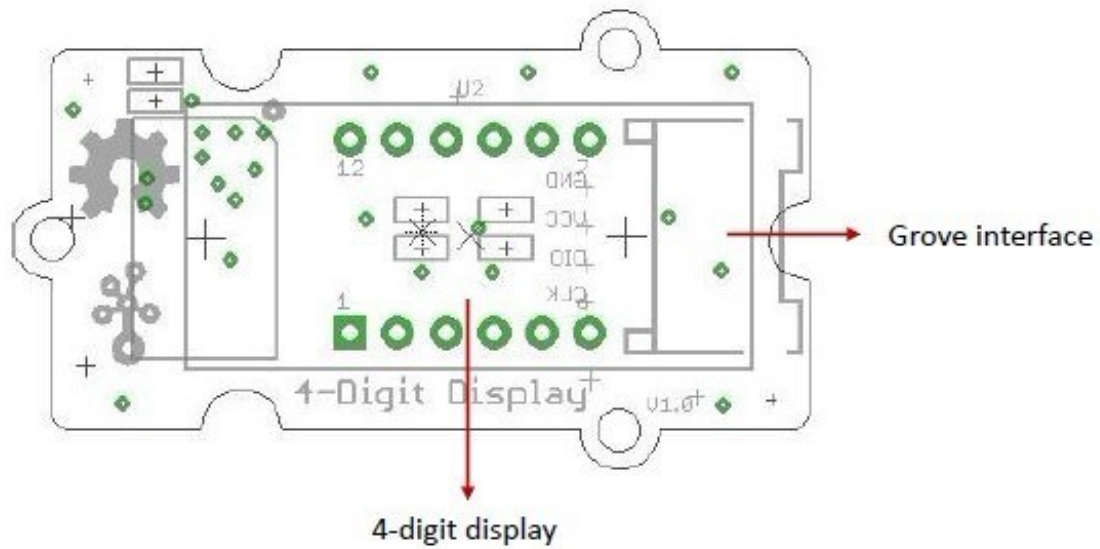
3. Application ideas

- Time display
- Stopwatch
- Sensors' input display

4. Specifications

Item	Min	Typical	Max	Unit
Voltage	3.3	5.0	5.5	VDC
Current	0.2	27	80	mA
Dimensions	42x24x14			mm
Net Weight	7±1			g

5. Interface functions



Grove interface - Can be connected to digital port on Grove - Base Shield.

4 - Digit display - Common anode digital tube.

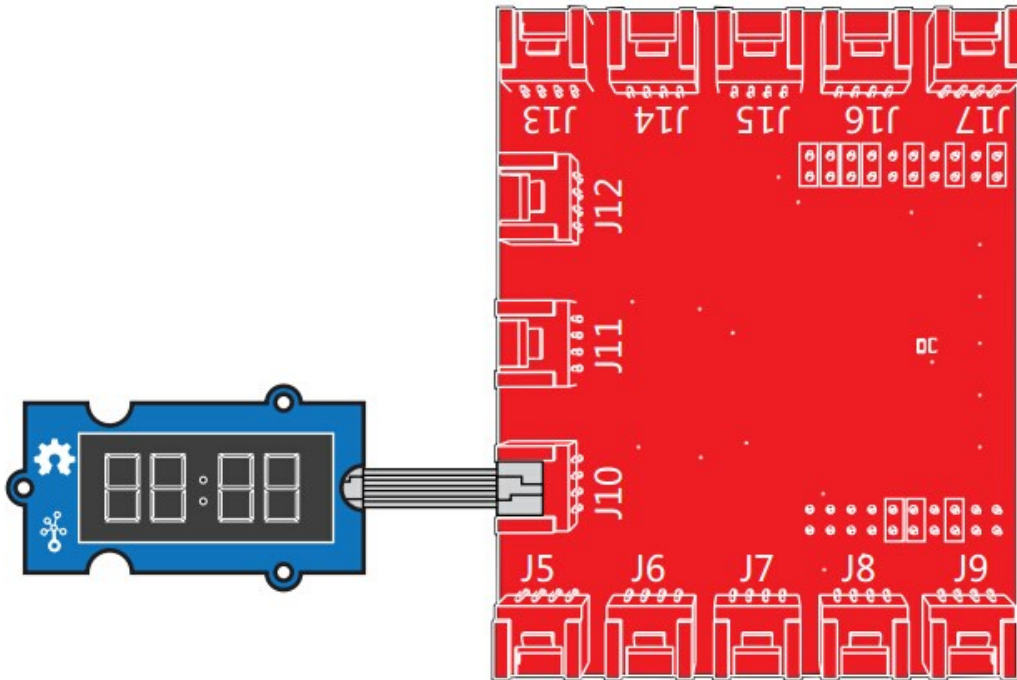
Pin definition: CLK DIO VCC GND

6. Usage

6.1 With TI LaunchPad

Displaying the Numbers (4-Digital-Display)

This example demonstrates how to display some digital numbers using a Grove-4-Digital Display.



```

/*
 * TM1637.cpp
 * A library for the 4 digit display
 */
#include "TM1637.h"
#define CLK 39 //pins definitions for TM1637 and can be changed to other
ports
#define DIO 38
TM1637 tm1637(CLK,DIO);
void setup()
{
  tm1637.init();
  tm1637.set(BRIGHT_TYPICAL); //BRIGHT_TYPICAL = 2,BRIGHT_DARKEST =
0,BRIGHTTEST = 7;
}
void loop()
{
  int8_t NumTab[] =
{0,1,2,3,4,5,6,7,8,9,10,11,12,13,14,15}; //0~9,A,b,C,d,E,F

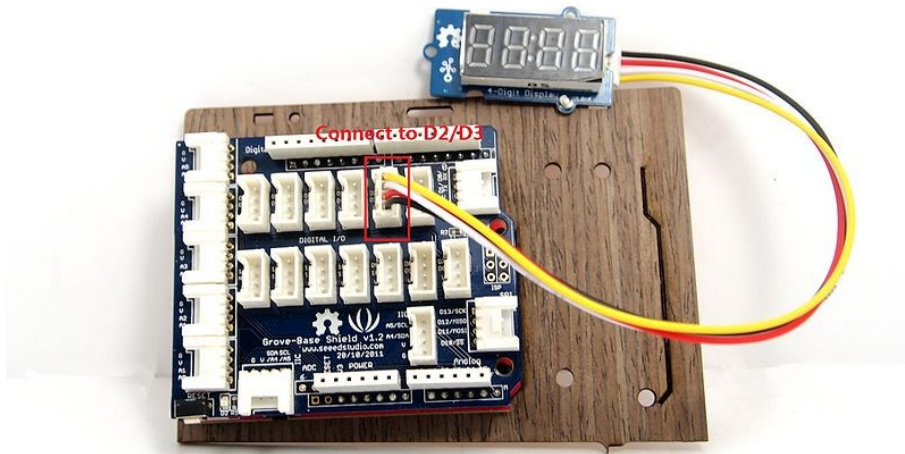
```

```
int8_t ListDisp[4];
unsigned char i = 0;
unsigned char count = 0;
delay(150);
while(1)
{
    i = count;
    count ++;
    if(count == sizeof(NumTab)) count = 0;
    for(unsigned char BitSelect = 0;BitSelect < 4;BitSelect ++)
    {
        ListDisp[BitSelect] = NumTab[i];
        i ++;
        if(i == sizeof(NumTab)) i = 0;
    }
    tm1637.display(0,ListDisp[0]);
    tm1637.display(1,ListDisp[1]);
    tm1637.display(2,ListDisp[2]);
    tm1637.display(3,ListDisp[3]);
    delay(300);
}
}
```

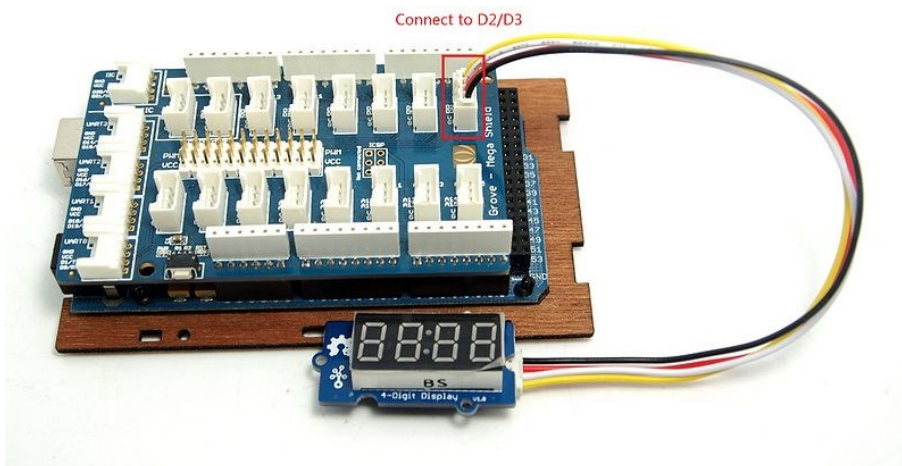
6.2 With [Arduino](#)

The module uses an LED drive chip - TM1637 to control the contents and change the luminance. Here we drive it to display time.

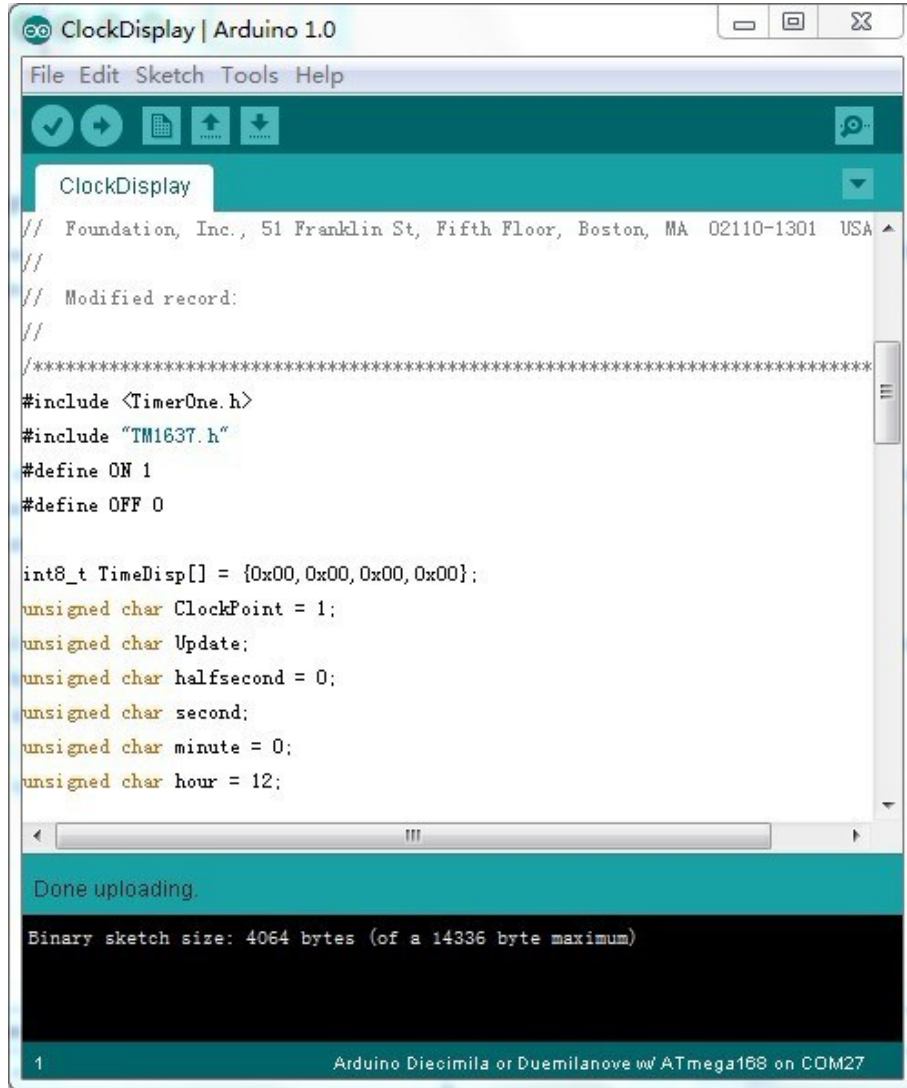
1. Connect the Grove socket marked "IN" on the LED Strip Driver and digital port 2 of the [Grove - Base Shield](#) with a Grove cable. You can change to the digital port as you like. But don't forget to change the port number in the definition of the demo code at the same time.
2. Plug onto Arduino/Seeeduino or plug [Grove - Mega Shield](#) onto Arduino Mega.
Seeeduino and Grove - 4-digit display:



Arduino Mega and Grove - 4-digit display:

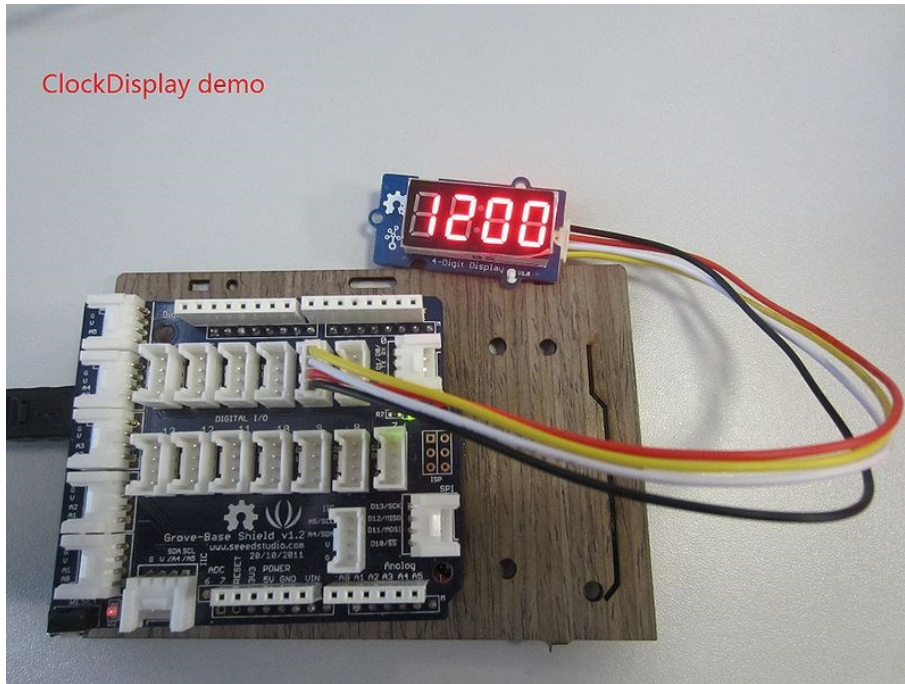


3. Connect Arduino/Seeedduino to PC via a USB cable.
4. Download the 4-Digit Display library and TimerOne library. Unzip and put them in the libraries file of Arduino IDE by the path: ..\arduino-1.0\libraries.
5. Restart the Arduino IDE, open one demo code you like, for example ClockDisplay directly by the path:File -> Example -> DigitalTube->ClockDisplay.



6. Upload the demo code and the clock will be ticking in a few seconds. Please click here if you do not know how to upload.

You can see this:



6.3 With [Raspberry Pi](#)

1. You should have got a raspberry pi and a grovepi or grovepi+.
2. You should have completed configuring the development environment, otherwise follow [here](#).
3. Connection. Plug the sensor to grovepi socket D5 by using a grove cable.
4. Navigate to the demos' directory:

```
cd yourpath/GrovePi/Software/Python/
```

To see the code

```
nano grove_4_digit_display.py # "Ctrl+x" to exit #
```

```
import time
import grovepi

# Connect the Grove 4 Digit Display to digital port D5
# CLK, DIO, VCC, GND
display = 5
grovepi.pinMode(display, "OUTPUT")

# If you have an analog sensor connect it to A0 so you can monitor it
below
sensor = 0
grovepi.pinMode(sensor, "INPUT")
```

```
time.sleep(.5)

# 4 Digit Display methods
# grovepi.fourDigit_init(pin)
# grovepi.fourDigit_number(pin,value,leading_zero)
# grovepi.fourDigit_brightness(pin,brightness)
# grovepi.fourDigit_digit(pin,segment,value)
# grovepi.fourDigit_segment(pin,segment,leds)
# grovepi.fourDigit_score(pin,left,right)
# grovepi.fourDigit_monitor(pin,analog,duration)
# grovepi.fourDigit_on(pin)
# grovepi.fourDigit_off(pin)

while True:
    try:
        print "Test 1) Initialise"
        grovepi.fourDigit_init(display)
        time.sleep(.5)

        print "Test 2) Set brightness"
        for i in range(0,8):
            grovepi.fourDigit_brightness(display,i)
            time.sleep(.2)
        time.sleep(.3)

        # set to lowest brightness level
        grovepi.fourDigit_brightness(display,0)
        time.sleep(.5)

        print "Test 3) Set number without leading zeros"
        leading_zero = 0
        grovepi.fourDigit_number(display,1,leading_zero)
        time.sleep(.5)
        grovepi.fourDigit_number(display,12,leading_zero)
        time.sleep(.5)
        grovepi.fourDigit_number(display,123,leading_zero)
        time.sleep(.5)
        grovepi.fourDigit_number(display,1234,leading_zero)
        time.sleep(.5)

        print "Test 4) Set number with leading zeros"
        leading_zero = 1
        grovepi.fourDigit_number(display,5,leading_zero)
        time.sleep(.5)
```



```
grovepi.fourDigit_number(display,56,leading_zero)
time.sleep(.5)
grovepi.fourDigit_number(display,567,leading_zero)
time.sleep(.5)
grovepi.fourDigit_number(display,5678,leading_zero)
time.sleep(.5)

print "Test 5) Set individual digit"
grovepi.fourDigit_digit(display,0,2)
grovepi.fourDigit_digit(display,1,6)
grovepi.fourDigit_digit(display,2,9)
grovepi.fourDigit_digit(display,3,15) # 15 = F
time.sleep(.5)

print "Test 6) Set individual segment"
grovepi.fourDigit_segment(display,0,118) # 118 = H
grovepi.fourDigit_segment(display,1,121) # 121 = E
grovepi.fourDigit_segment(display,2,118) # 118 = H
grovepi.fourDigit_segment(display,3,121) # 121 = E
time.sleep(.5)

grovepi.fourDigit_segment(display,0,57) # 57 = C
grovepi.fourDigit_segment(display,1,63) # 63 = O
grovepi.fourDigit_segment(display,2,63) # 63 = O
grovepi.fourDigit_segment(display,3,56) # 56 = L
time.sleep(.5)

print "Test 7) Set score"
grovepi.fourDigit_score(display,0,0)
time.sleep(.2)
grovepi.fourDigit_score(display,1,0)
time.sleep(.2)
grovepi.fourDigit_score(display,1,1)
time.sleep(.2)
grovepi.fourDigit_score(display,1,2)
time.sleep(.2)
grovepi.fourDigit_score(display,1,3)
time.sleep(.2)
grovepi.fourDigit_score(display,1,4)
time.sleep(.2)
grovepi.fourDigit_score(display,1,5)
time.sleep(.5)

print "Test 8) Set time"
```



```
grovepi.fourDigit_score(display,12,59)
time.sleep(.5)

print "Test 9) Monitor analog pin"
seconds = 10
grovepi.fourDigit_monitor(display,sensor,seconds)
time.sleep(.5)

print "Test 10) Switch all on"
grovepi.fourDigit_on(display)
time.sleep(.5)

print "Test 11) Switch all off"
grovepi.fourDigit_off(display)
time.sleep(.5)

except KeyboardInterrupt:
    grovepi.fourDigit_off(display)
    break
except IOError:
    print "Error"
```

5. Run the demo.

```
sudo python grove_4_digit_display.py
```

5. This demo may not work if your grovepi dosen't have the newest firmware, update the firmware.

```
cd yourpath/GrovePi/Firmware
sudo ./firmware_update.sh
```

7. Resources

[Grove - 4-Digit Display V1.0 eagle files](#)

[Schematic in PDF](#)

[4-Digit Display library](#)

[TimerOne library](#)

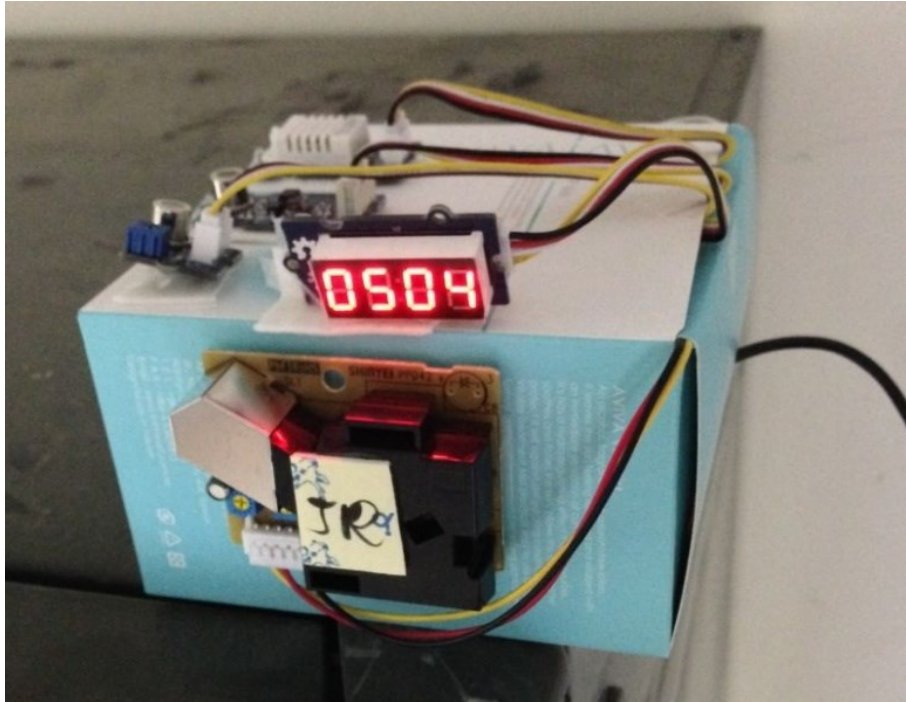
[Four-Digit Display Suli Library](#)

[TM1637 datasheet](#)

8. Related Projects

If you want to make some awesome projects by 4-Digit Display, here's one project for reference.

Air Quality Box



With this demo, we can see the air quality data on 4-Digit Display.

[I want to make it.](#)

[More Awesome Projects by 4-Digit Display](#)

Share Your Awesome Projects with Us

Born with the spirit of making and sharing, that is what we believe makes a maker.

And only because of this, the open source community can be as prosperous as it is today.

It does not matter what you are and what you have made, hacker, maker, artist or engineers.

As long as you start sharing your works with others, you are being part of the open source community and you are making your contributions.

Now share your awesome projects with us on [Recipe](#), and win a chance to become the Core User of Seeed.

- Core Users, are those who show high interests in Seeed products and make significant contributions on Recipe.
- We cooperate with our Core Users in the development of our new product, this, in another word, the Core Users will have the chance to experience any new products of Seeed before its

official launch, and in return we expect valuable feedback from them to help us improve the product performance and user experience. And in most cases when our Core Users have some good ideas of making things, we'll offer hardware pieces, PCBA services as well as technical support. Besides, further commercial cooperation with the Core Users is highly possible.

Get more information about Core User, please email to: recipe@seeed.cc

9. Support

If you have questions or other better design ideas, you can go to our [forum](#) or [wish](#) to discuss.