

1

2

3

4

5

6

A

A

B

B

C

C

D

D

REV	Description	DATE	BY
V1.0	Initial Version	2019.07.16	Xusheng Yuan

Seeed Studio

TITLE: Grove - OLED Display 0.96 (SSD1315)_v1.0

CC-BY-SA	Design:	Check:	
	Date: 尚未保存!	Vision:	Sheet: 1/2

1

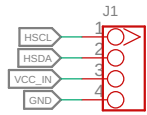
2

3

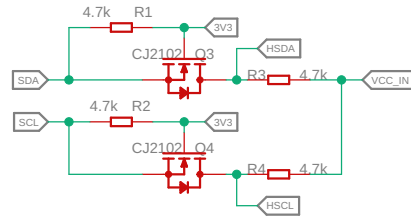
4

5

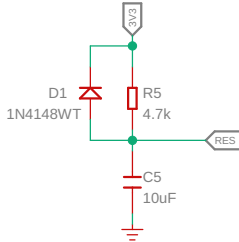
6



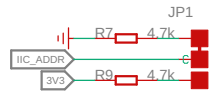
Input



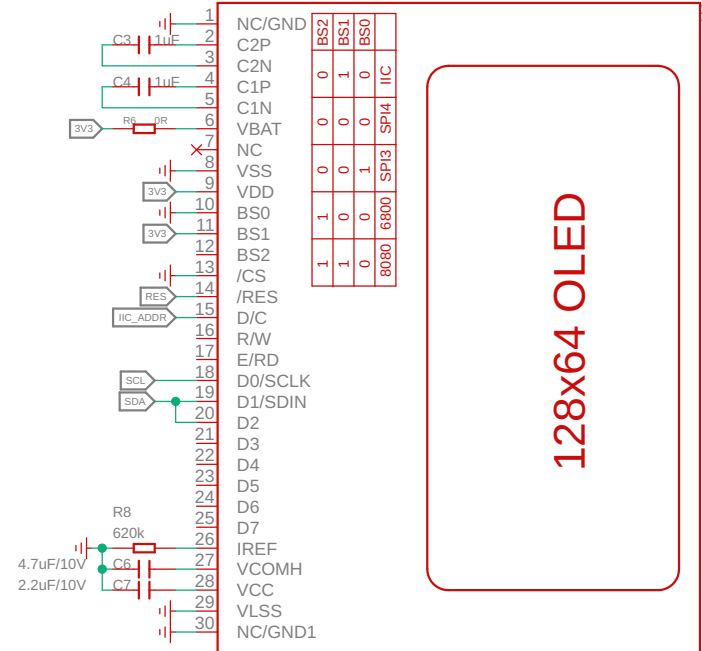
Level Translator



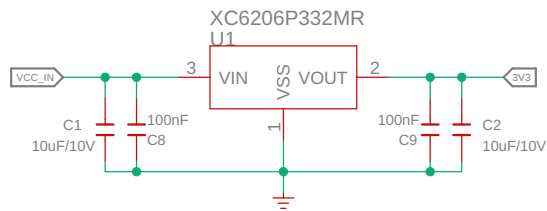
Delay Reset



The I2C slave address is 0x78.
If the customer ties D/C# (pin 15) to VCC,
the I2C slave address will be 0x7a



128x64 OLED



Reduction Voltage



Seed Studio

TITLE: Grove - OLED Display 0.96 (SSD1315)_v1.0

CC-BY-SA

Design:

Check:

Date: 尚未保存!

Vision:

Sheet: 1/2