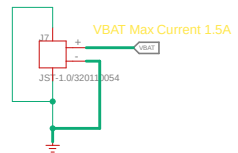
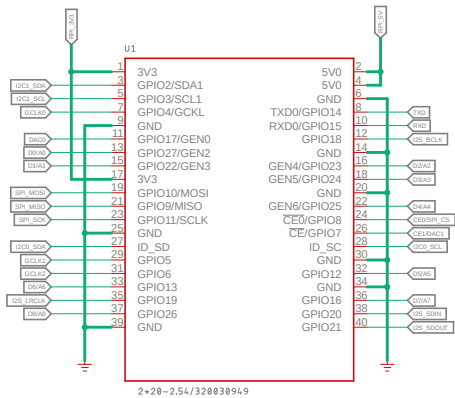
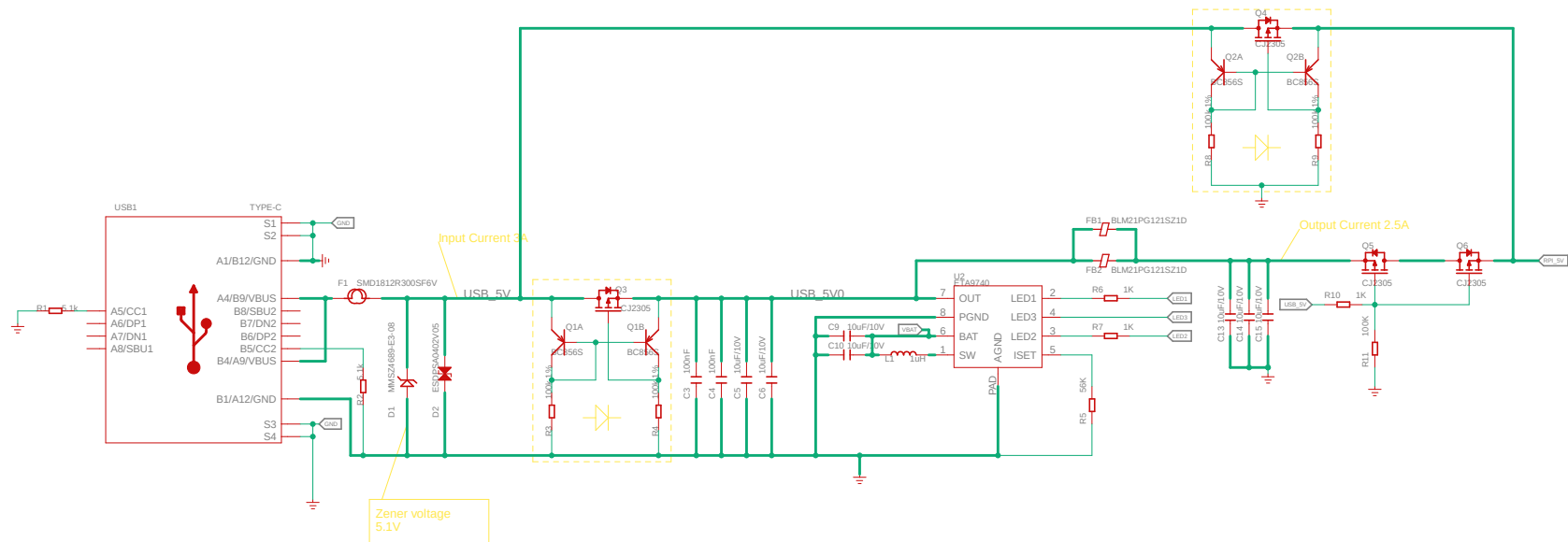


| | | | | | | | | |
|---|---|---|---|---|---|---|---|---|
| | 1 | 2 | 3 | 4 | 5 | 6 | 7 | 8 |
| A | | | | | | | | |
| B | | | | | | | | |
| C | | | | | | | | |
| D | | | | | | | | |
| E | | | | | | | | |
| | 1 | 2 | 3 | 4 | 5 | 6 | 7 | 8 |

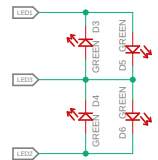
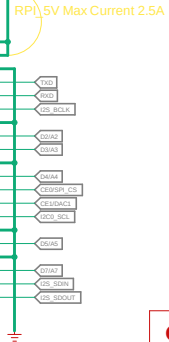
| REV | Description | DATE | BY |
|-----|-------------------------------------|------------|------|
| 1 | Wio Terminal Chassis - Battery v1.0 | 2019/09/16 | Milo |
| | | | |

| | | |
|---------------------------------------|---------|------------|
| Seed Studio | | |
| TITLE: Wio Terminal Chassis - Battery | | |
| Design: Milo | Check: | |
| Date: 2020/3/19 15:52 | Vision: | Sheet: 1/1 |

CC-BY-SA



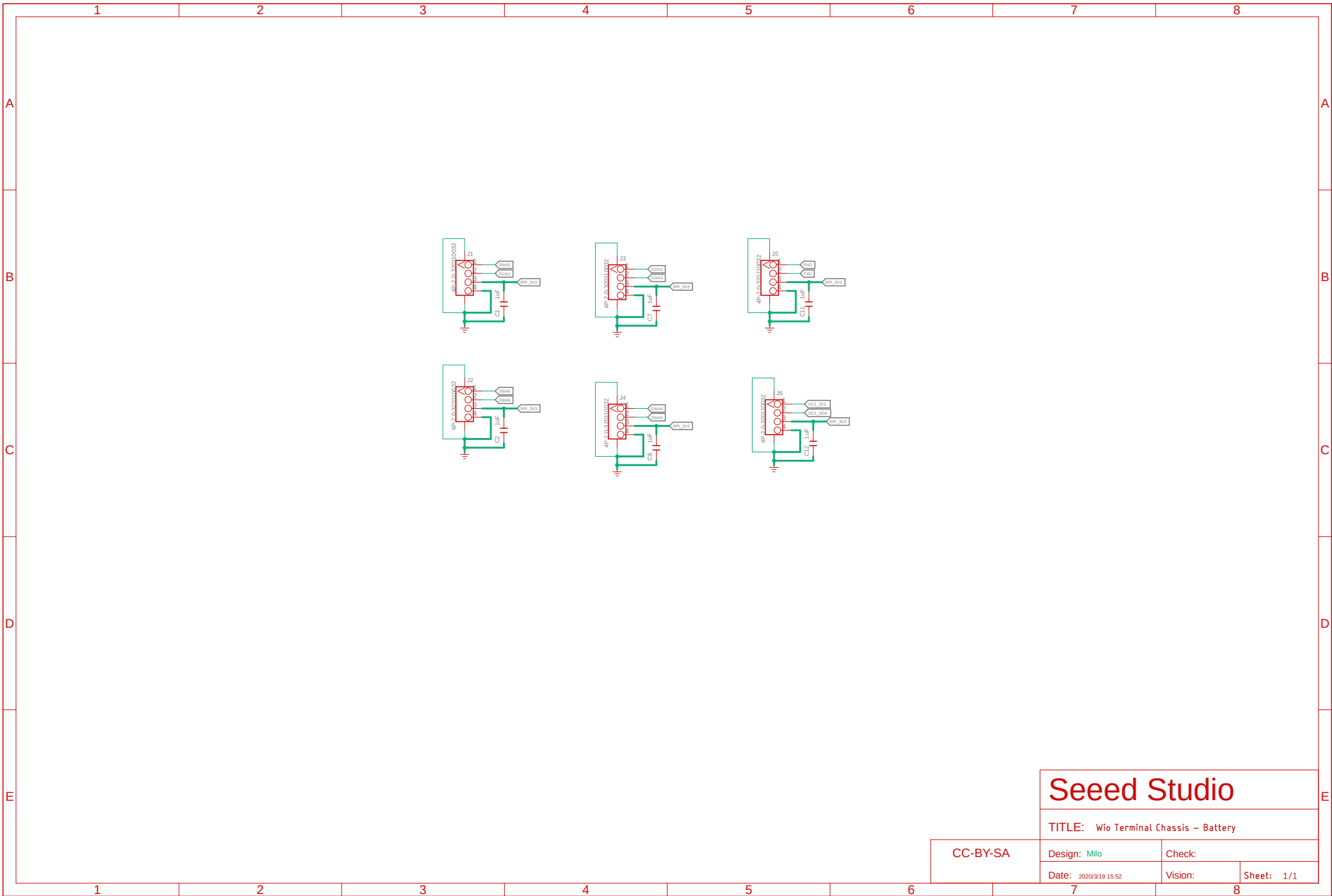
RPI_3V3 Max Current 1.5A



Seed Studio

TITLE: Wio Terminal Chassis - Battery

| | | |
|----------|-----------------------|---------|
| CC-BY-SA | Design: Milo | Check: |
| | Date: 2020/3/19 15:52 | Vision: |



Seed Studio

TITLE: Wio Terminal Chassis – Battery

| | | |
|----------|------------------------------|---------|
| CC-BY-SA | Design: Milo | Check: |
| | Date: 2020/3/19 15:52 | Vision: |