



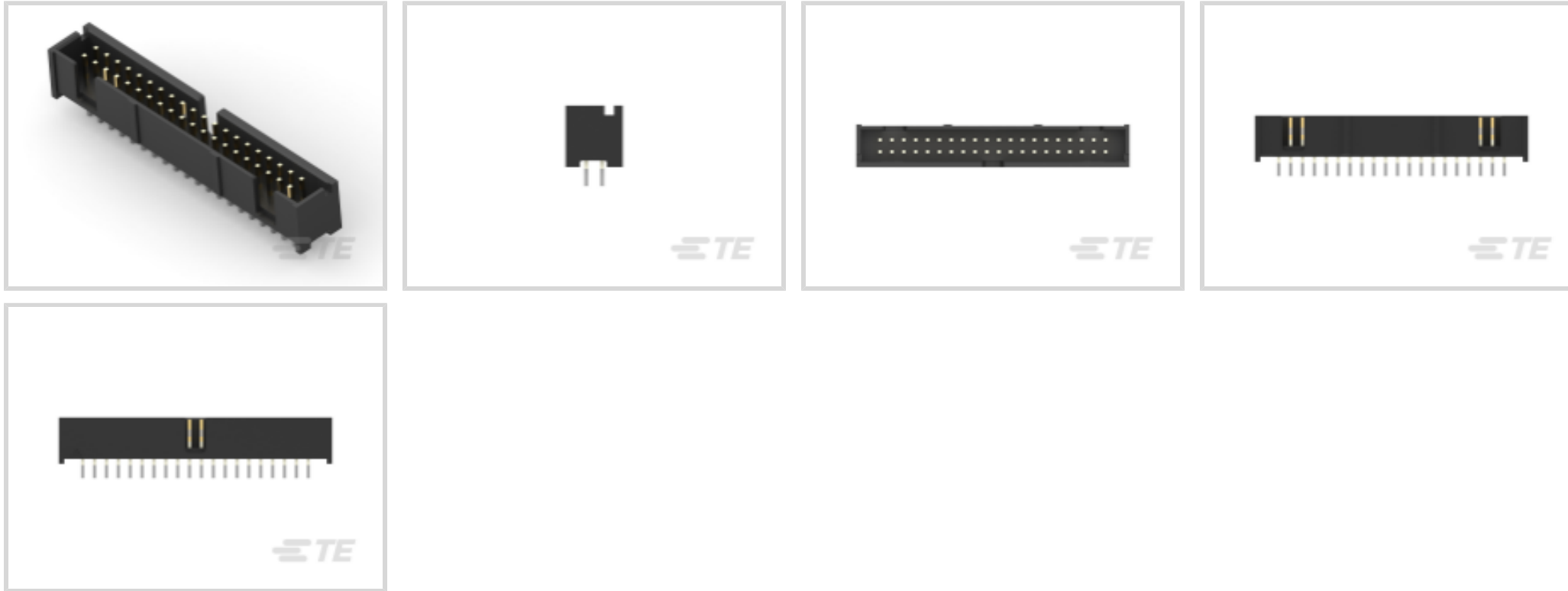
AMP-LATCH

TE Internal #: 103309-8

Ribbon Cable Connectors, Board-to-Board, 40 Position, .1 in [2.54 mm] Centerline, Vertical, Through Hole - Solder, 2 Row, Receptacle, Low Profile

[View on TE.com >](#)

Connectors > PCB Connectors > Wire-to-Board Connectors > FFC, FPC & Ribbon Connectors > Ribbon Cable Connectors



Connector System: **Board-to-Board**

Number of Positions: **40**

Centerline (Pitch): **2.54 mm [.1 in]**

PCB Mount Retention: **Without**

PCB Mount Orientation: **Vertical**

Features

Product Type Features

| | |
|------------------------------------|-----------------------|
| Connector Type | Header |
| Ribbon Cable Connector Header Type | Pin Header |
| Connector Product Type | Connector Assembly |
| Connector System | Board-to-Board |
| Connector & Housing Type | Receptacle |
| Connector & Contact Terminates To | Printed Circuit Board |

Configuration Features

| | |
|-----------------------|----------|
| Number of Positions | 40 |
| PCB Mount Orientation | Vertical |
| Number of Rows | 2 |

Electrical Characteristics

| | |
|-----------------------|---------|
| Insulation Resistance | 5000 MΩ |
|-----------------------|---------|

Body Features

| | |
|-------------|------|
| Daisy Chain | With |
|-------------|------|



| | |
|-------------------|-----|
| Connector Profile | Low |
|-------------------|-----|

Contact Features

| | |
|---|----------------------------|
| Mating Square Post Dimension | .64 mm[.025 in] |
| PCB Contact Termination Area Plating Material Thickness | 2.54 μ m[100 μ in] |
| Contact Type | Pin |
| | 30 μ in |
| Contact Mating Area Plating Material | Gold, Gold Flash |
| Contact Shape & Form | Square |
| Contact Underplating Material | Nickel |
| PCB Contact Termination Area Plating Material | Tin-Lead |
| Contact Base Material | Copper Alloy |
| Contact Current Rating (Max) | 1 A |

Termination Features

| | |
|---|-----------------------|
| Square Termination Post & Tail Dimension | .64 mm[.025 in] |
| Termination Post & Tail Length | 3.05 mm[.12 in] |
| Termination Method to Printed Circuit Board | Through Hole - Solder |

Mechanical Attachment

| | |
|-------------------------|-----------------------------|
| Mating Alignment | With |
| PCB Mount Alignment | With |
| Panel Mount Feature | Without |
| PCB Mount Retention | Without |
| Mating Alignment Type | Center, Dual Polarizing Bar |
| Mating Retention | Without |
| Connector Mounting Type | Board Mount |

Housing Features

| | |
|--------------------|----------------|
| Housing Material | Thermoplastic |
| Housing Color | Black |
| Centerline (Pitch) | 2.54 mm[.1 in] |

Dimensions

| | |
|------------------------|------------------|
| Connector Length | 2.3 mm, 58.42 mm |
| Shrouded End Dimension | 3.81 mm[.15 in] |
| Connector Height | 9.77 mm[.38 in] |



| | |
|--------------------|----------------|
| Row-to-Row Spacing | 2.54 mm[.1 in] |
|--------------------|----------------|

Usage Conditions

| | |
|-----------------------------|----------------------------|
| Housing Temperature Rating | Standard |
| Operating Temperature Range | -65 – 105 °C[-85 – 221 °F] |

Operation/Application

| | |
|------------------------|---------------|
| Solder Process Feature | Solder Dipped |
| Circuit Application | Signal |

Industry Standards

| | |
|------------------------|----------|
| UL Flammability Rating | UL 94V-0 |
|------------------------|----------|

Packaging Features

| | |
|--------------------|------|
| Packaging Quantity | 40 |
| Packaging Method | Tube |

Product Compliance

[For compliance documentation, visit the product page on TE.com>](#)

| | |
|---|---|
| EU RoHS Directive 2011/65/EU | Not Compliant |
| EU ELV Directive 2000/53/EC | Not Compliant |
| China RoHS 2 Directive MIIT Order No 32, 2016 | Restricted Materials Above Threshold |
| EU REACH Regulation (EC) No. 1907/2006 | Current ECHA Candidate List: JAN 2022 (223) Candidate List Declared Against: JAN 2022 (223) SVHC > Threshold: Pb (13% in Component Part) Article Safe Usage Statements: Do not eat, drink or smoke when using this product. Wash thoroughly after handling. Recycle if possible and dispose of the article by following all applicable governmental regulations relevant to your geographic location. |
| Halogen Content | Low Halogen - Br, Cl, F, I < 900 ppm per homogenous material. Also BFR/CFR/PVC Free |
| Solder Process Capability | Not lead free process capable |

Product Compliance Disclaimer

This information is provided based on reasonable inquiry of our suppliers and represents our current actual knowledge based on the information they provided. This information is subject to change. The part numbers that TE has identified as EU RoHS compliant have a maximum concentration of 0.1% by weight in homogenous materials for lead, hexavalent chromium, mercury, PBB, PBDE, DBP, BBP, DEHP, DIBP, and 0.01% for cadmium, or qualify for an exemption to these limits as defined in the Annexes of Directive 2011/65/EU (RoHS2). Finished electrical and electronic equipment products will be CE marked as required by Directive 2011/65/EU. Components may not be CE marked. Additionally, the part numbers that TE has identified as EU ELV compliant have a maximum concentration of 0.1% by weight in homogenous materials for lead, hexavalent chromium, and mercury, and 0.01% for cadmium, or qualify for an exemption to these limits

as defined in the Annexes of Directive 2000/53/EC (ELV). Regarding the REACH Regulation, the information TE provides on SVHC in articles for this part number is based on the latest European Chemicals Agency (ECHA) 'Guidance on requirements for substances in articles' posted at this URL: <https://echa.europa.eu/guidance-documents/guidance-on-reach>

Compatible Parts



TE Part # 1-487223-0
040 HOUSING FFC RCPT 100CL DR

Customers Also Bought



TE Part #103309-1
010 LOPRO HDR SP 30DP



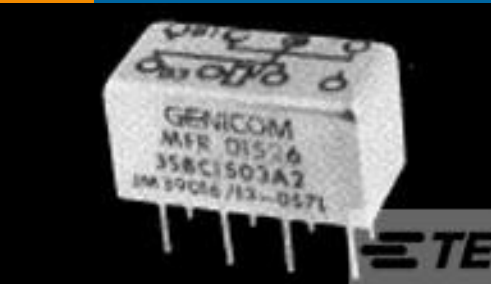
TE Part #102387-9
40 MODIV HSG COMP DR .100 POL




TE Part #103308-8
040 LOPRO HDR SP 15DP



TE Part #103309-6
026 LOPRO HDR SP 30DP



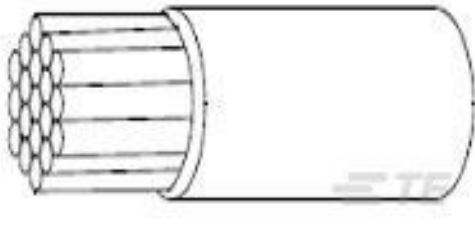
TE Part #3-1617072-2
3SBC1527A2 = M39016/13-066M



TE Part #5745563-1
HD KIT,SCREWLOCK FEMALE



TE Part #103322-5
10 MODII HDR DRST B/A .100CL



TE Part #557601-000
22759/44-24-3

TE Part #539769-000
MTCP-122-20P1-023

TE Part #545885-000
MTCP-122-20P2-023

Documents

Product Drawings
040 LOPRO HDR SP 30DP

English



CAD Files

3D PDF

3D

Customer View Model

[ENG_CVM_CVM_103309-8_N.2d_dxf.zip](#)

English

Customer View Model

[ENG_CVM_CVM_103309-8_N.3d_igs.zip](#)

English

Customer View Model

[ENG_CVM_CVM_103309-8_N.3d_stp.zip](#)

English

By downloading the CAD file I accept and agree to the [Terms and Conditions](#) of use.

Product Specifications

Product Specification

English

Agency Approvals

Agency Approval Document

English